

WCA030 WCS Active  
W1 front-loader washing machine  
for 1–7 kg laundry with proven Miele quality at an attractive price.



- Gentle laundry care thanks to the Miele honeycomb drum
- Freshen up laundry quickly with the Express 20 programme
- Perfect supplement for specific applications – CapDosing
- Easy operation via sensor controls – EasyControl
- Economical, powerful and no wear and tear – the ProfiEco Motor



EAN: 4002516303282 / Material number: 11456170 / Old Material Number: 11CA0301GB

<b>Construction type</b>	
Suitable for stacking	•
Side-by-side	•
Slot-in	•
Door hinge	right
<b>Model</b>	
Product brand	W1 Chrome Edition
Front-loader	•
<b>Spinning</b>	
Max. spin speed	1400
Rinse hold	•
Without spin function	•
<b>Design</b>	
Appliance colour	Lotus white
Control panel colour	Lotus white
Door design	Lotus white
Rotary selector colour	Lotus White
Control panel version	Slanted
Control type	Rotary selector
<b>Cleaning performance</b>	
CapDosing portioned dispensing	•
<b>Gentle laundry care</b>	
Honeycomb drum	•
Load in kg	7.0
<b>User convenience</b>	
Delay start up to 24 hours	•
Time left display	•
AutoClean detergent drawer	•
AddLoad	•
<b>Efficiency and sustainability</b>	
Energy efficiency class (A–G)	B
Weighted energy consumption per 100 operating cycles for the wash cycle in kWh	51
Weighted water consumption per cycle in l	45
Spin efficiency class	B
Acoustic airborne noise emission class (spin cycle)	A
Sound emissions during spin cycle in dB(A) re 1 pW	72
Duration of the "ECO 40–60" programme at nominal capacity	199
Power rating in off mode in W	0.30
Low temperature wash "Cold" and "20 °C"	•
Automatic load control	•
Flow meter	•
Foam sensing	•
ProfiEco motor	•
<b>Wash programmes</b>	
Cottons (coloureds)	•
Cottons with pre-wash	•
Minimum iron	•
Delicates	•

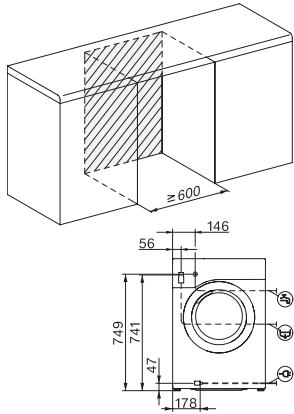
WCA030 WCS Active  
 W1 front-loader washing machine  
 for 1–7 kg laundry with proven Miele quality at an attractive price.



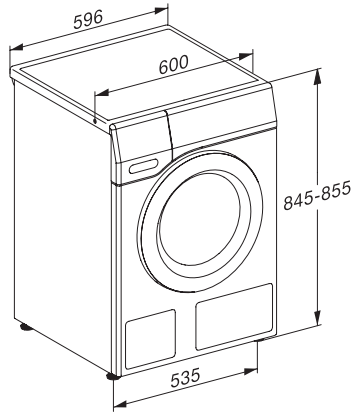
EAN: 4002516303282 / Material number: 11456170 / Old Material Number: 11CA0301GB

Woolens (hand-washable)	•
Express 20	•
Dark garments / Denim	•
Outerwear	•
Proofing	•
Separate rinse/Starch	•
Drain / Spin	•
ECO 40-60	•
<b>Extras</b>	
Short	•
Soak	•
Water plus	•
Additional rinse cycle	•
<b>Quality</b>	
Suds container	GlaronK
<b>Safety</b>	
PIN-Code	•
Optical interface	•
<b>Technical data</b>	
Dimensions in mm (width)	596
Dimensions in mm (height)	850
Dimensions in mm (depth)	636
Appliance depth in mm with opened door	1054
Appliance depth excluding door (for building-under) in mm	600
Weight in kg	80
Total rated load in kW	2.10-2.40
Voltage in V	220-240
Fuse rating in A	13
Frequency in Hz	50
Length of supply lead in m	2
Length of supply lead in m	2.0

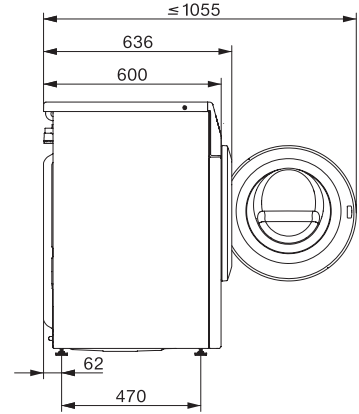
WCA030 WCS Active  
W1 front-loader washing machine  
for 1–7 kg laundry with proven Miele quality at an attractive price.



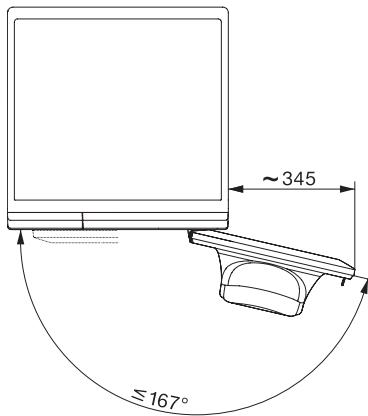
W1 installation drawing, slanted facia, straight facia, measures in mm



W1 drawing, slanted facia, straight facia, measures in mm



W1 drawing, slanted facia, straight facia, measures in mm



W1 drawing, slanted facia, straight facia, measures in mm