

N 50, Built-under double oven  
J1ACE2HN0B



COOKING PASSION SINCE 1877



A



Built under double oven - twice as flexible, twice as fast - bake or roast multiple dishes at the same time.

- ✓ EasyClean - this special cleaning aid provides uncomplicated, energy-saving cleaning of the oven interior.
- ✓ LCD-Display - simple, straightforward with large characters for clear reading
- ✓ Cliprails - Place dishes exactly where you want them in your oven.

#### Features

##### Technical Data

Color / Material Front : Stainless steel  
Construction type : Built-in  
Integrated Cleaning system : No  
Dimensions : 717 x 594 x 550 mm  
Dimensions of the packed product (HxWxD) : 790 x 690 x 660 mm  
Control Panel Material : Glass  
Door Material : Glass  
Net weight : 47.4 kg  
Usable volume of cavity : 47 l  
Cooking method : Conventional heat, Full width grill, Hot Air, Hotair gentle, Hot air grilling, Pizza setting  
Oven control : mechanical  
Number of interior lights : 1  
EAN code : 4242004221982  
Energy efficiency rating : A  
Energy consumption per cycle conventional (2010/30/EC) : 0.84 kWh/cycle  
Energy consumption per cycle forced air convection (2010/30/EC) : 0.71 kWh/cycle  
Energy efficiency class (2010/30/EC) - cavity 2 : B  
Energy consumption per cycle conventional - cavity 2 (2010/30/EC) : 0.83 kWh/cycle  
Energy efficiency index (2010/30/EC) : 94.7 %  
Energy efficiency index cavity 2 (2010/30/EC) : 120.3 %  
Connection rating : 5300 W  
Fuse protection : 25 A  
Voltage : 220-240 V  
Frequency : 50 Hz  
Plug type : fixed connection, no plug (electrical connection by electrician)  
Included accessories : 2 x combination grid, 1 x universal pan

#### Included accessories

2 x combination grid, 1 x universal pan

#### Optional accessories

Z11AB15A0 Baking tray, non-stick ceramic coated  
Z11CB10E0 Baking tray, grey enamelled  
Z11CR10X0 Baking and roasting grid (standard)  
Z11TI15X0 Cliprails



4 242004 221982

#### Features

- LCD Display (White)

#### Features

- Control panel lock
- Interior halogen light
- Cavity volume: 34 Litre
- Door hinge small cavity: bottom
- Cavity (inner surface) top: Enamel grey
- EasyClean
- Full glass inner door
- 1 Clip rail, Stop function
- Cavity (inner surface) bottom: enamel grey
- Door hinge big cavity: Drop down door

#### Top oven additional features

- Oven with 4 heating methods: Top/bottom heat, Full surface grill, Small area grill, Bottom heat
- Temperature range 50 °C - 275 °C

#### Main oven additional features

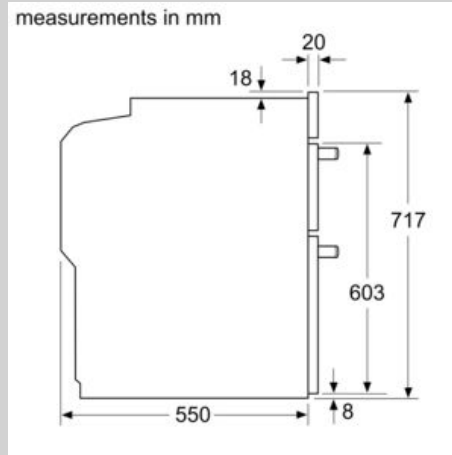
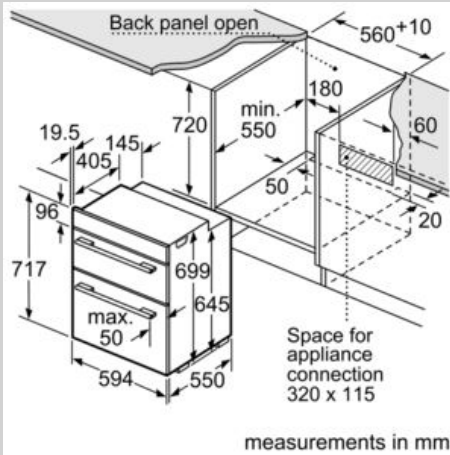
- 2 x combination grid, 1 x universal pan

#### Performance/technical information

- Nominal voltage: 220 - 240 V
- Appliance dimension (h<sub>x</sub>w<sub>x</sub>d): 717 mm x 594 mm x 550 mm
- Please refer to the dimensions provided in the installation manual

N 50, Built-under double oven  
J1ACE2HNOB

Dimensioned drawings



measurements in mm  
If the appliance will be installed underneath a hob, the following worktop thicknesses (including substructure if necessary) must be taken into account.

Hob type	min. worktop thickness	
	fitted	flush
Induction hob	39	40
Full-surface induction hob	49	50
Gas hob	29	40
Electric hob	29	32

