



Airforce

aspira induction

Model:
Centrale on board B40 83



GB

INSTRUCTIONS ON MOUNTING AND USE

D

MONTAGE- UND GEBRAUCHSANWEISUNG

F

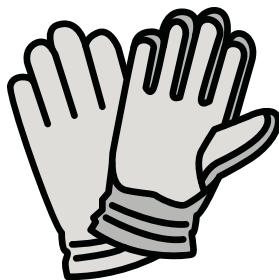
PRESCRIPTIONS DE MONTAGE ET MODE D'EMPLOI

ES

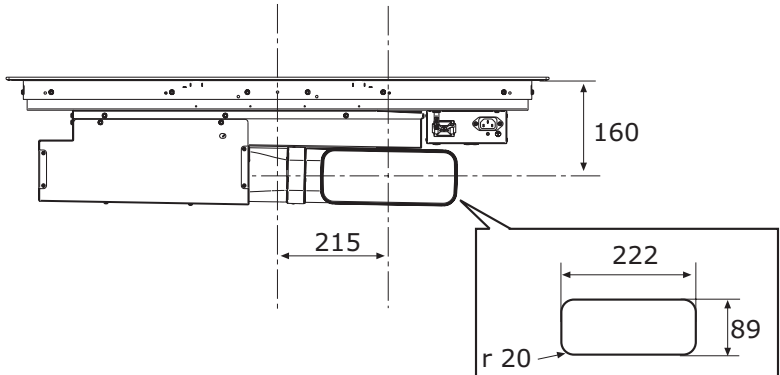
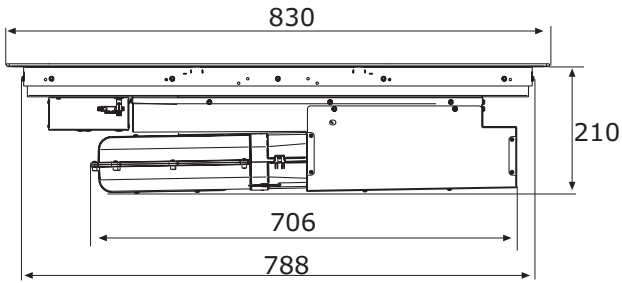
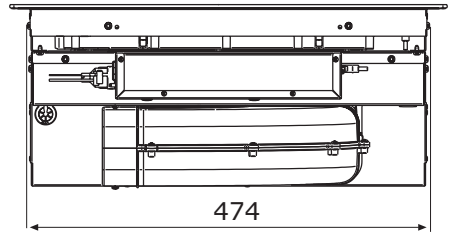
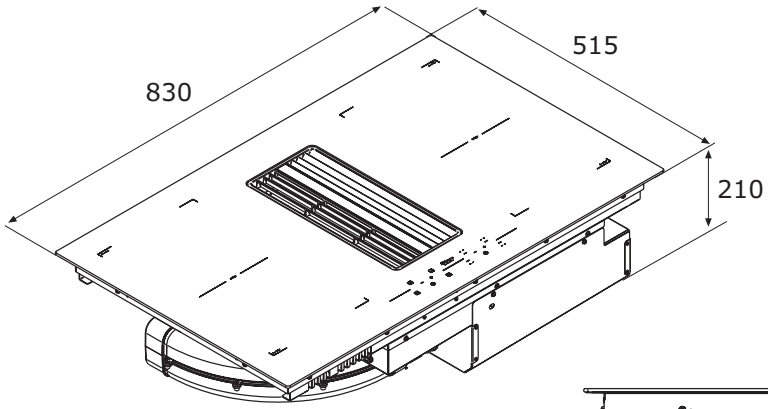
MONTAJE Y MODO DE EMPLEO

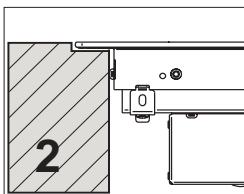
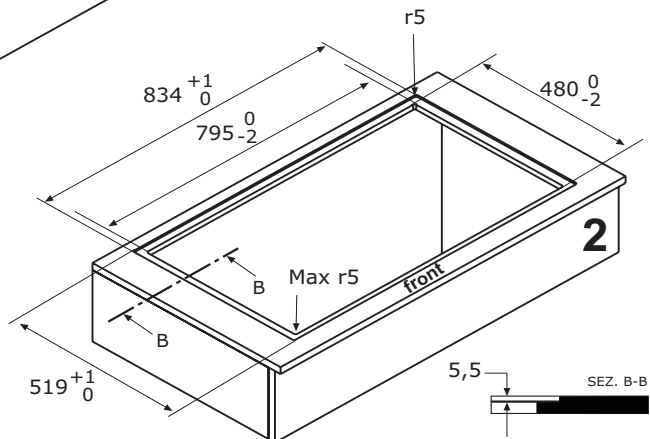
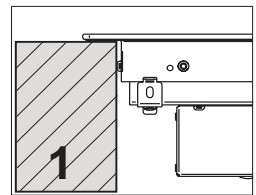
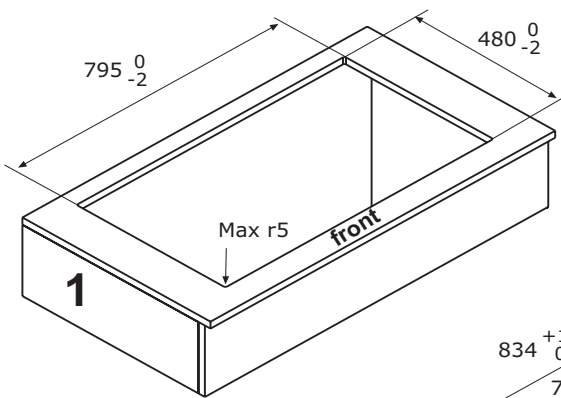
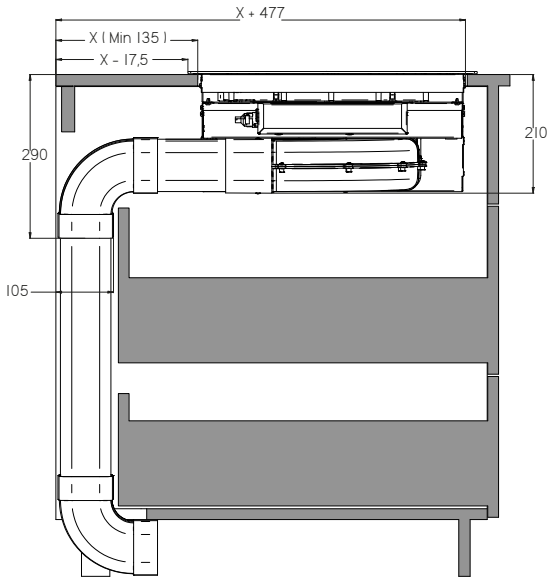
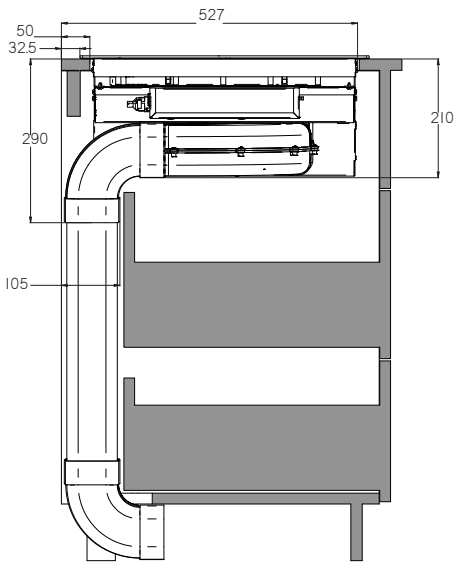
I

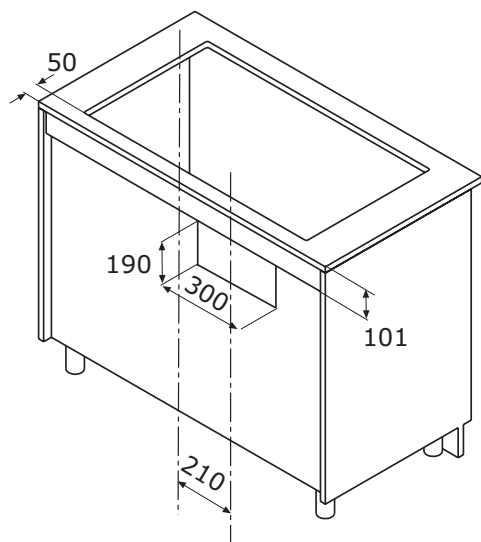
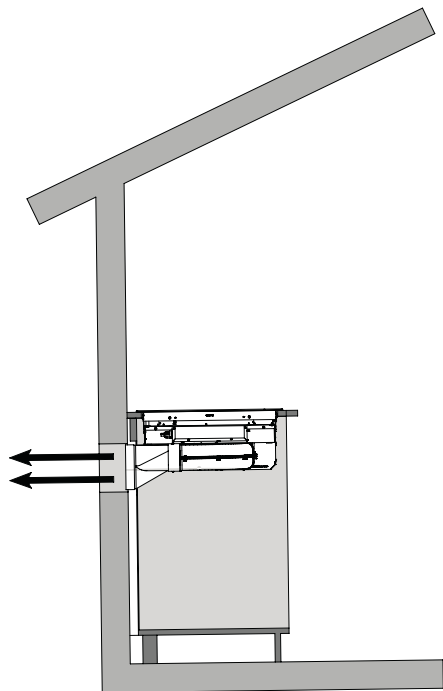
ISTRUZIONI DI MONTAGGIO E D'USO

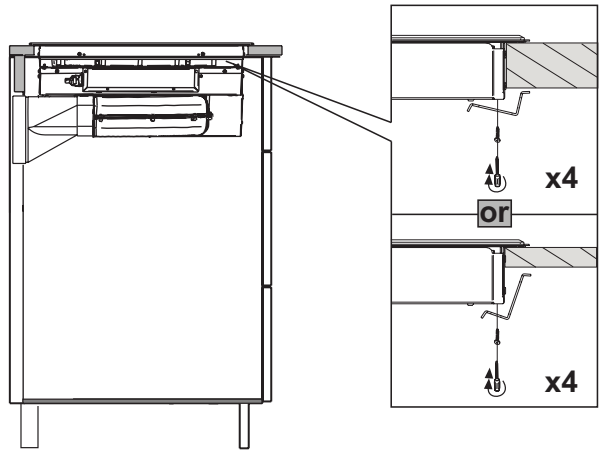
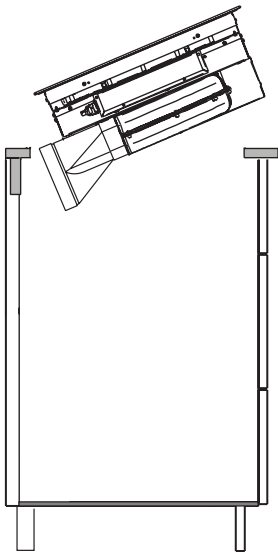
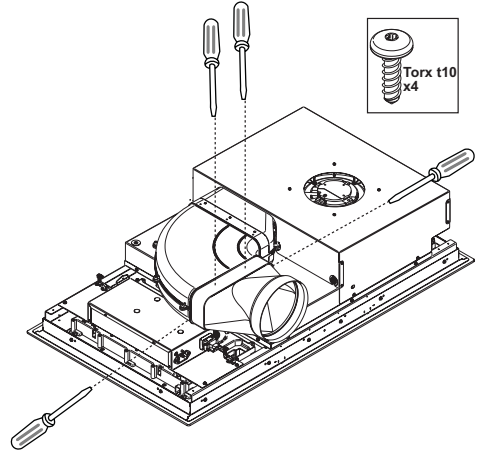
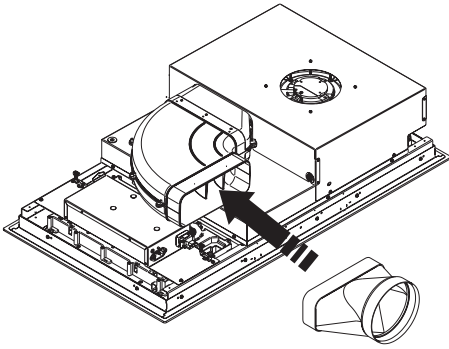


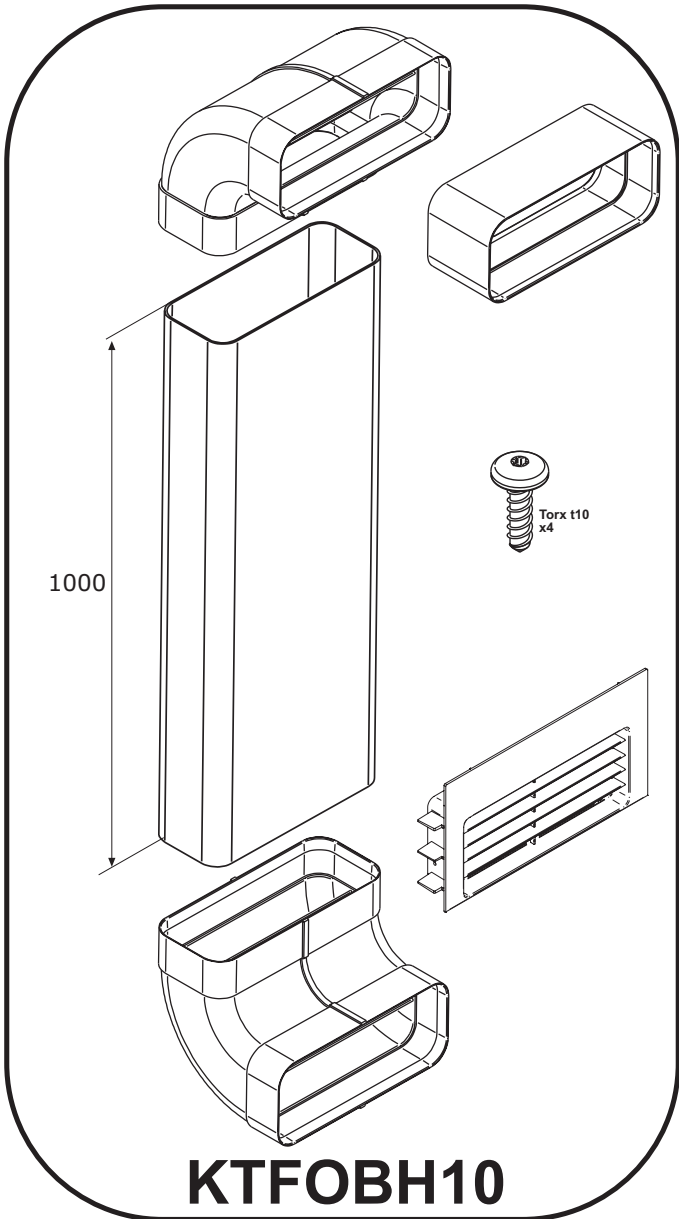
- IT *Per tutte le operazioni di installazione e manutenzione utilizzare guanti da lavoro*
- EN *Always wear work gloves for all installation and maintenance operations*
- DE *Bei allen Installations- und Instandhaltungsarbeiten immer Schutzhandschuhe tragen.*
- FR *Munissez-vous de gants de travail avant d'effectuer toute opération d'installation et d'entretien.*
- NL *Draag bij alle installatie- en onderhoudswerkzaamheden werkhandschoenen.*
- ES *Todas las operaciones de instalación y mantenimiento se deben realizar utilizando guantes de trabajo.*
- PT *Para todas as operações de instalação e manutenção, utilize luvas adequadas para este tipo de atividade*
- GR *Πάντοτε να φοράτε γάντια εργασίας για όλες τις επεμβάσεις εγκατάστασης και συντήρησης.*
- SV *Använd alltid skyddshandskar vid installation och underhåll.*
- FI *Käytä asennus- ja huoltotöissä suojakäsineitä.*
- NO *Ved alle installasjonsprosedyrer og alt vedlikehold av ventilatoren må man bruke arbeidshansker*
- DA *Ved alle installations- og vedligeholdelsesindgreb skal der bæres arbejdshandsker.*
- PL *Wszelkie czynności montażowe i konserwacyjne wykonywać w rękawicach ochronnych.*
- CZ *Při všech instalačních a údržbových pracích používejte pracovní rukavice*
- SK *Pri všetkých inštaláčnych a údržbárskych prácach používajte ochranné pracovné rukavice.*
- HU *Valamennyi üzembe helyezési és karbantartási művelethez használjon védőkesztyűt*
- BG *за всички операции по инсталиране и техническо обслужване използвайте работни ръкавици.*

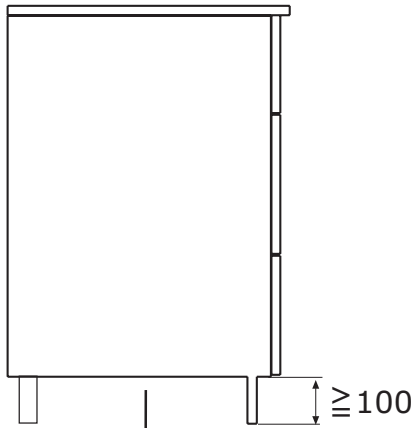










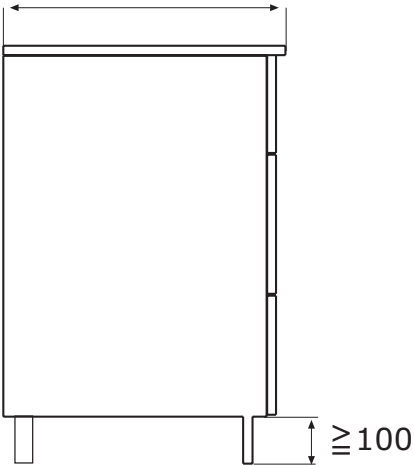


KTFOBH10

Installation A



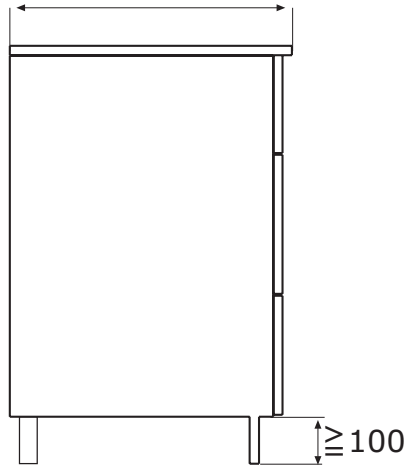
≤ 680



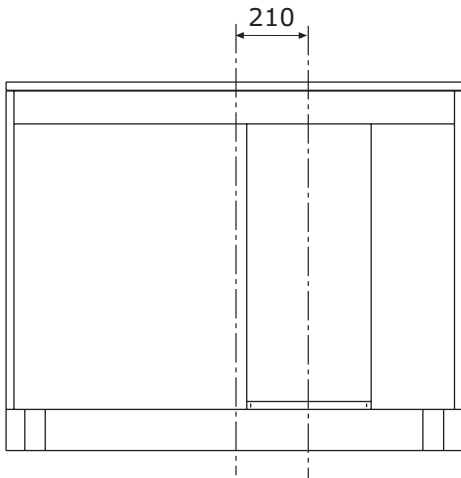
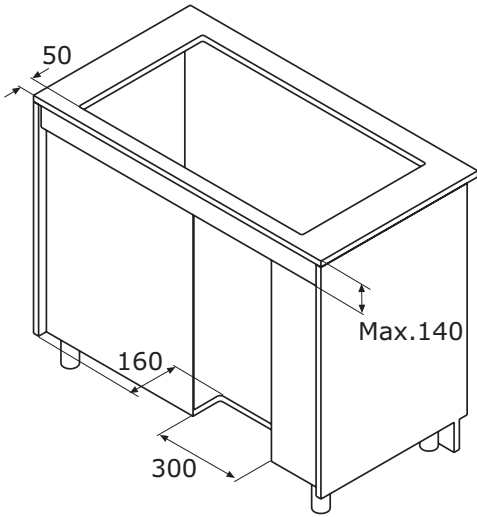
Installation B



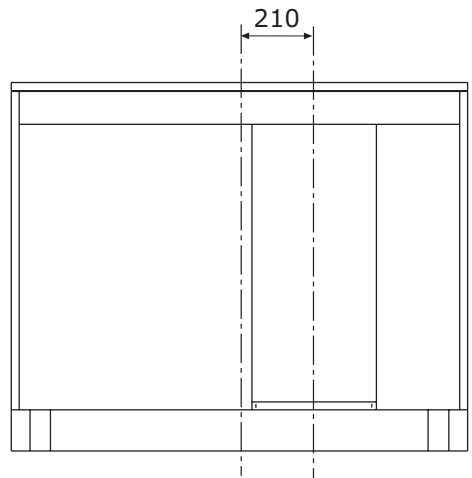
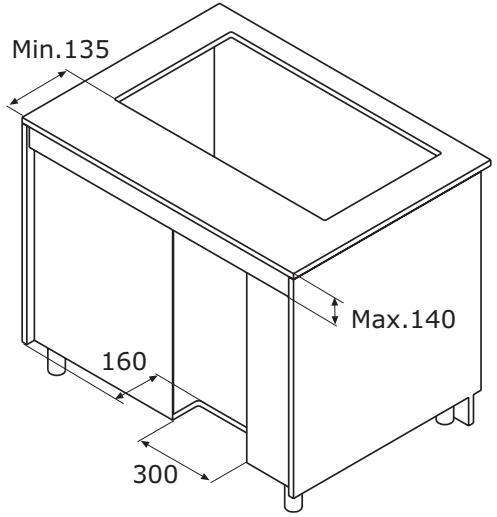
≥ 680



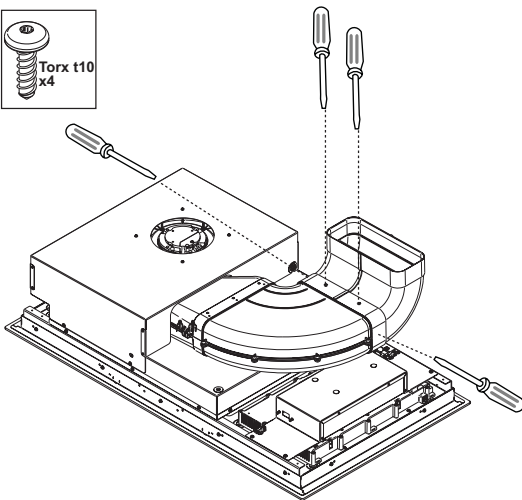
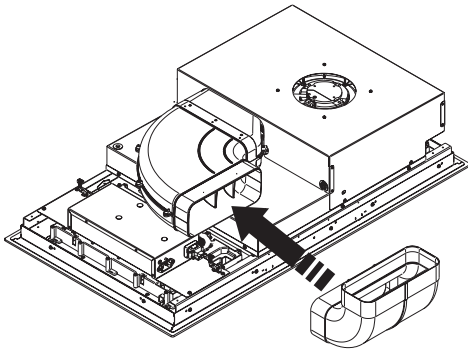
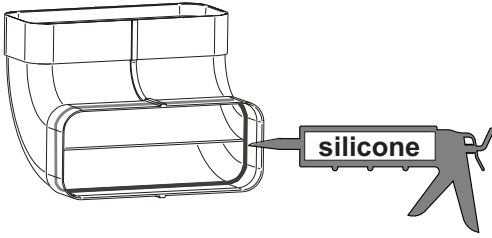
Installation A



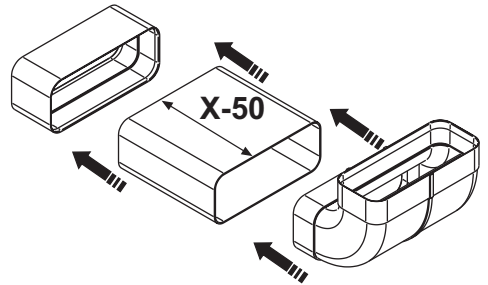
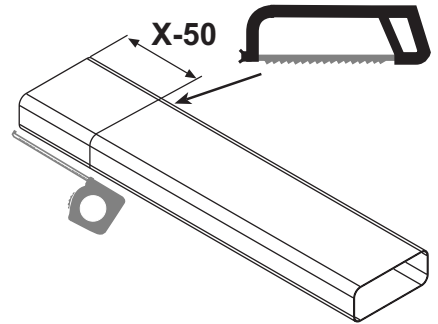
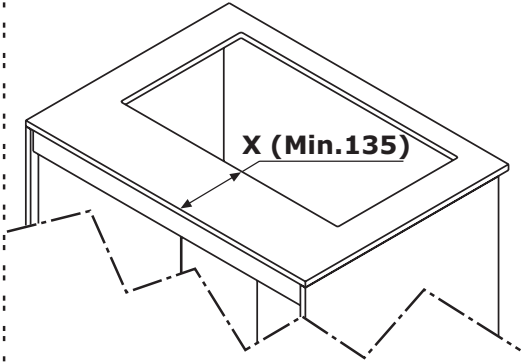
Installation B



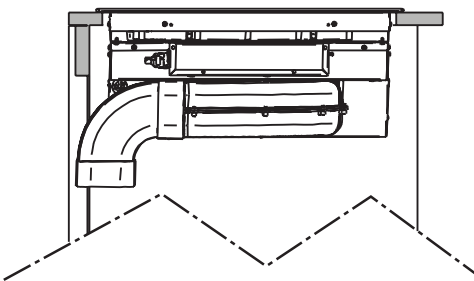
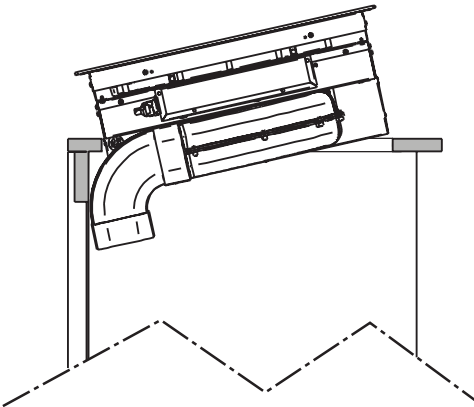
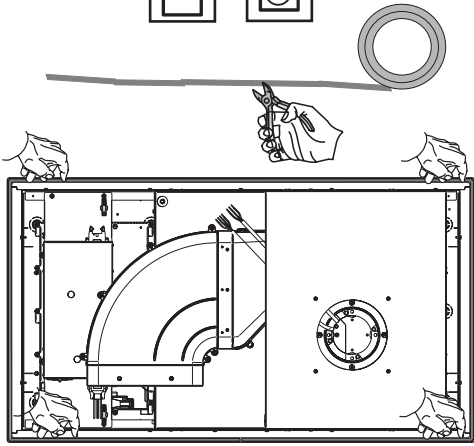
Installation A



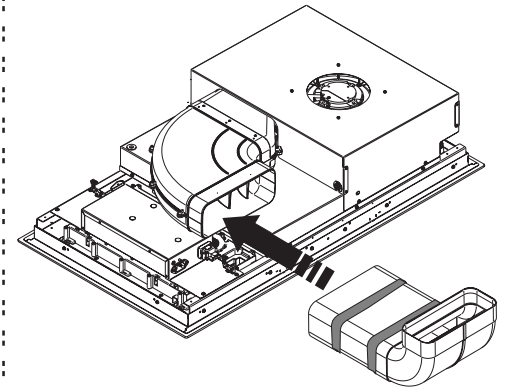
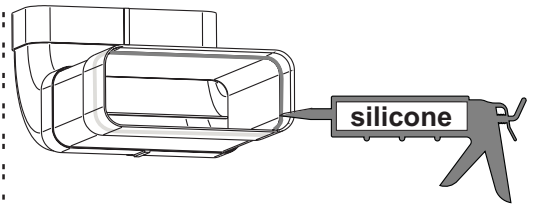
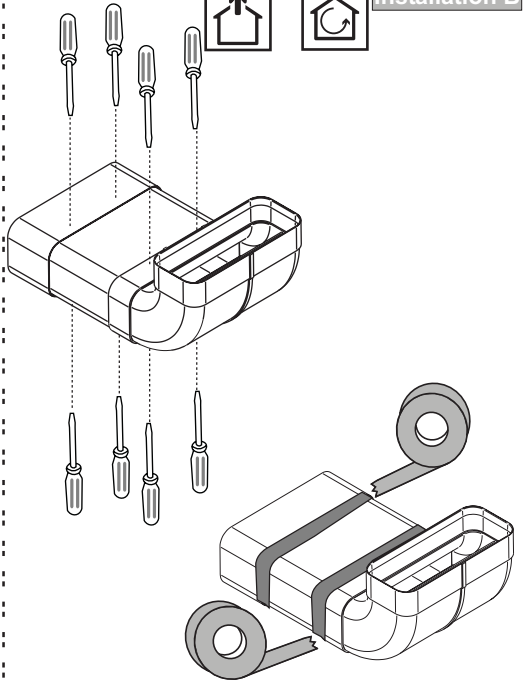
Installation B



Installation A



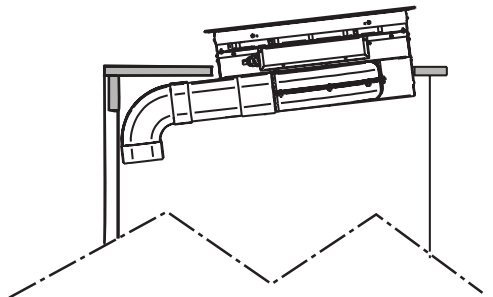
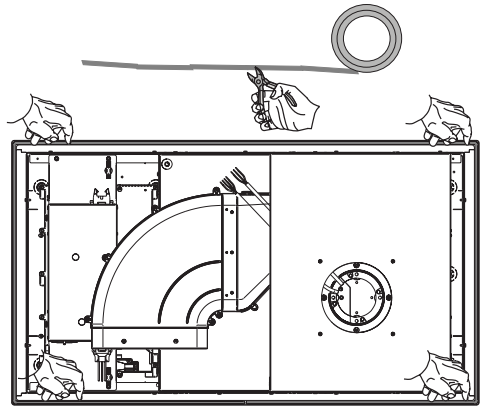
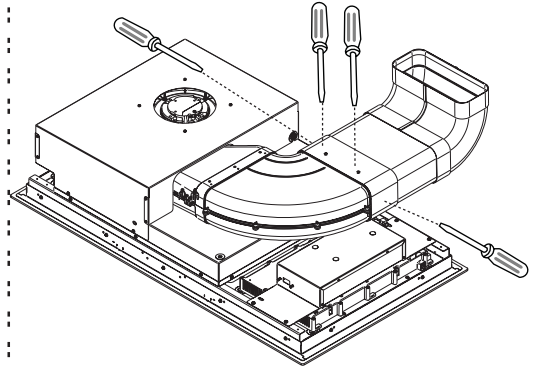
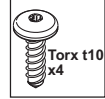
Installation B



Installation A



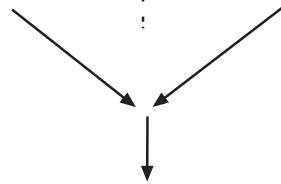
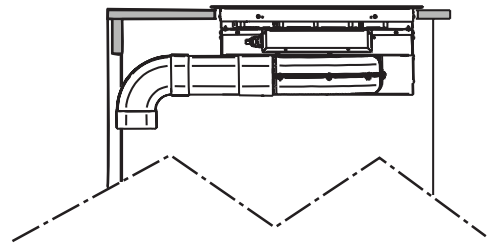
Installation B



Installation A

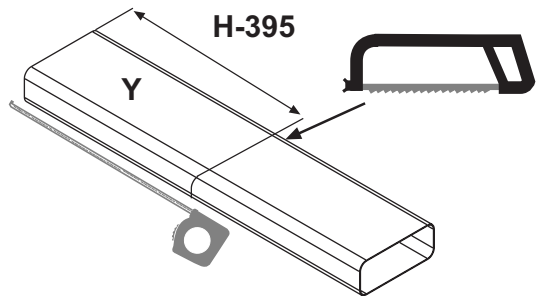
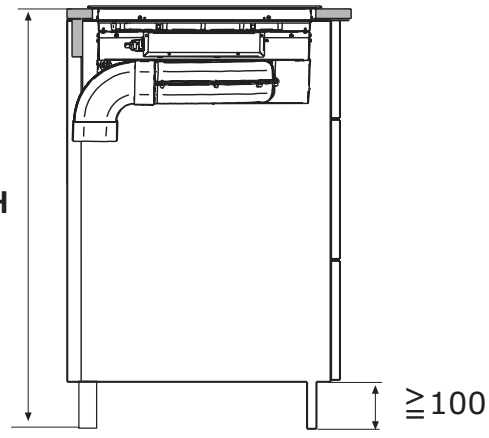


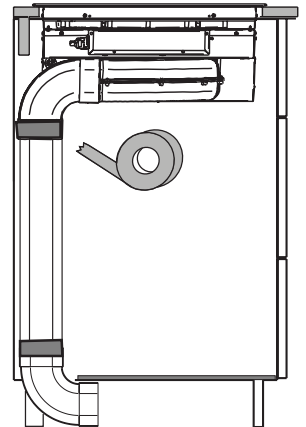
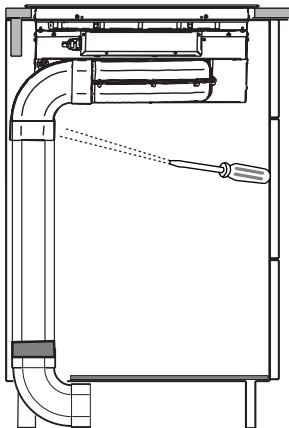
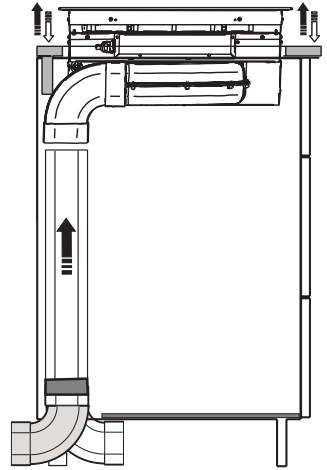
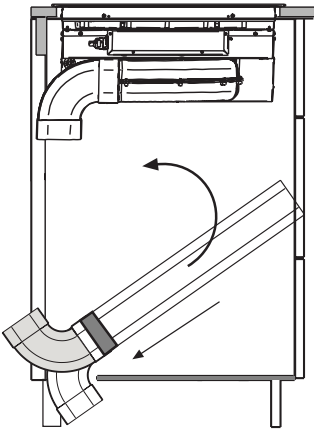
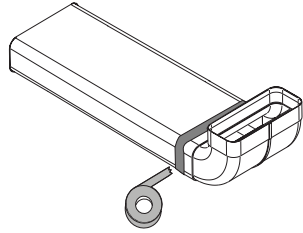
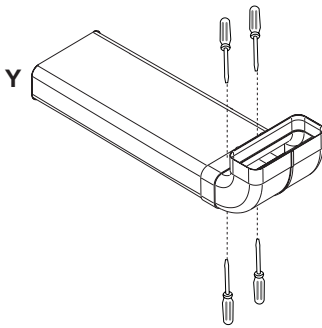
Installation B

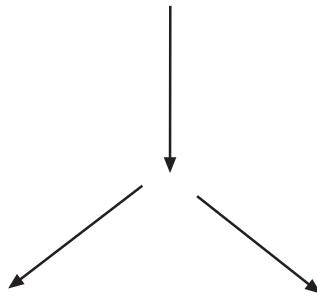
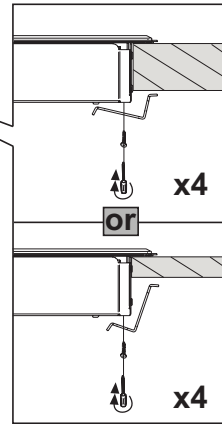
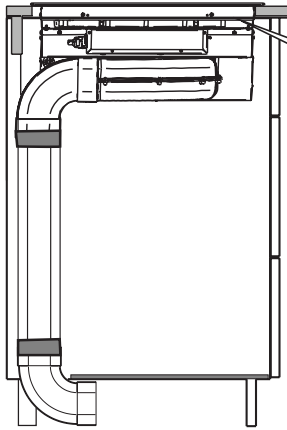
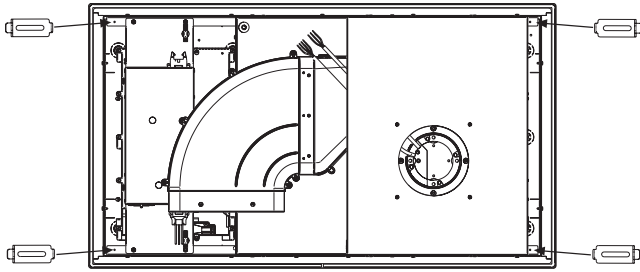


$Y = H - 395$

H

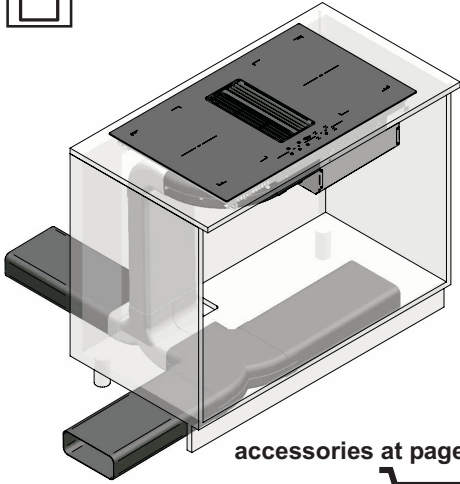






Standard

Plus



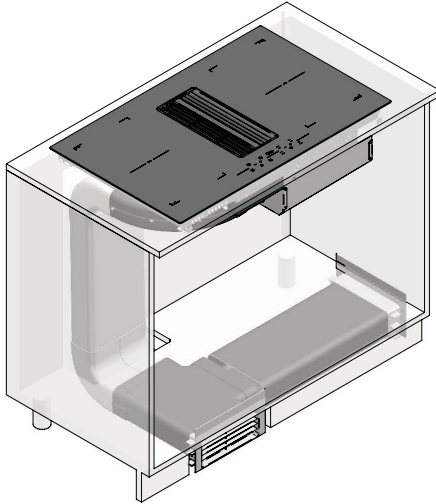
accessories at page 37



Standard
Plus



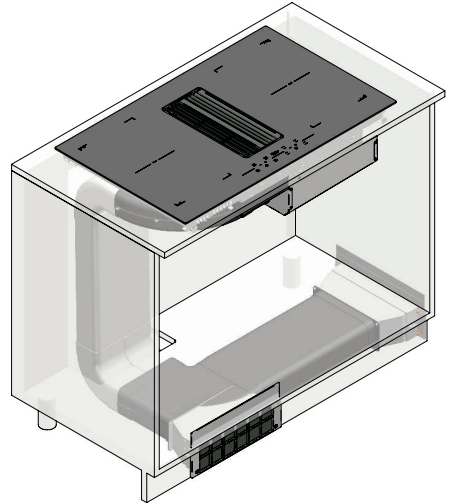
Standard



accessories at page 37



Plus

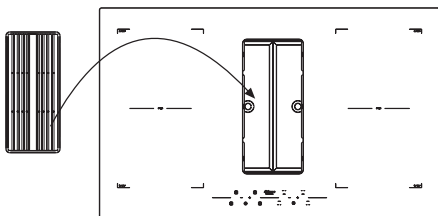
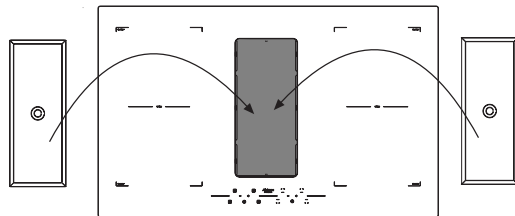
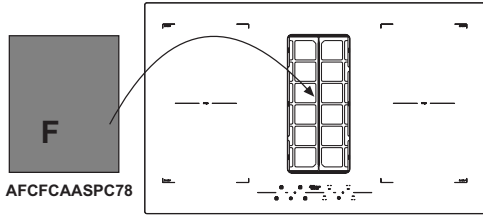
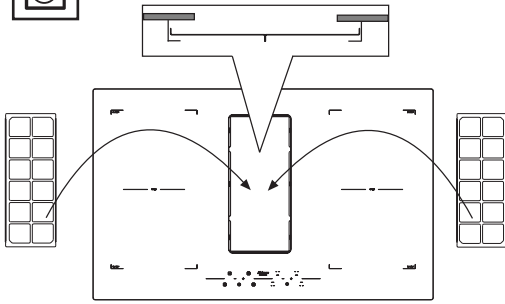


accessories at page 37

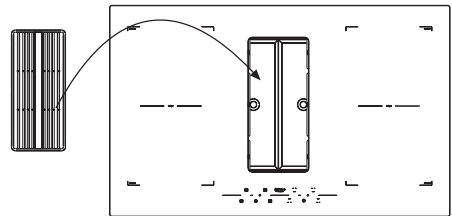
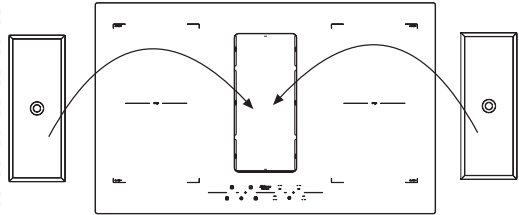
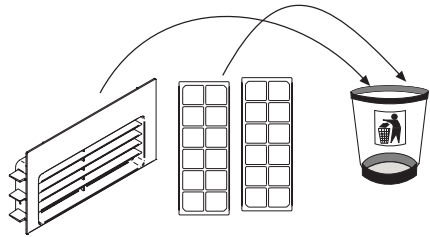




Standard

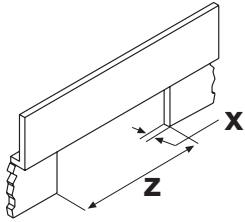


Plus

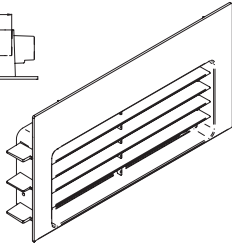
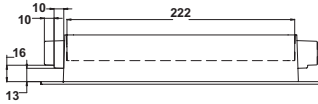
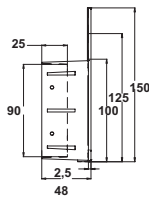
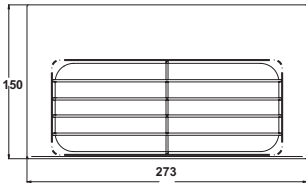




Standard



X=13 Z=230
X=16 Z=250



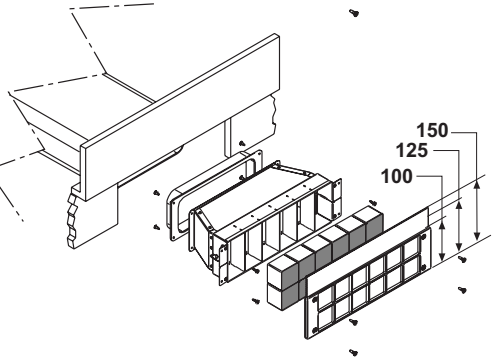
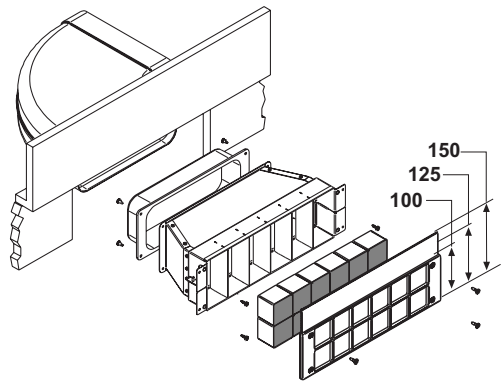
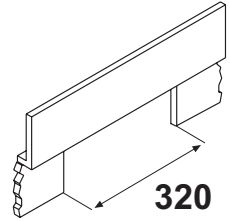
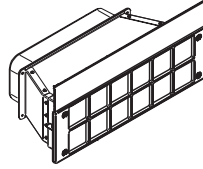
accessories at page 37



Plus

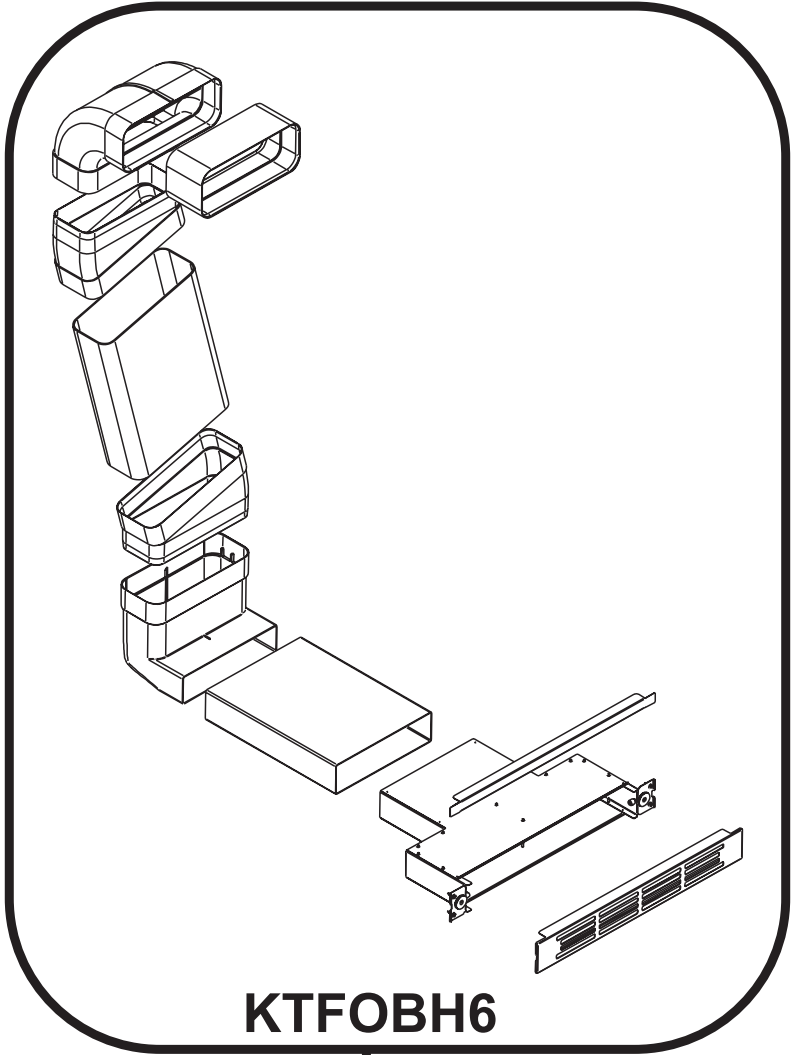


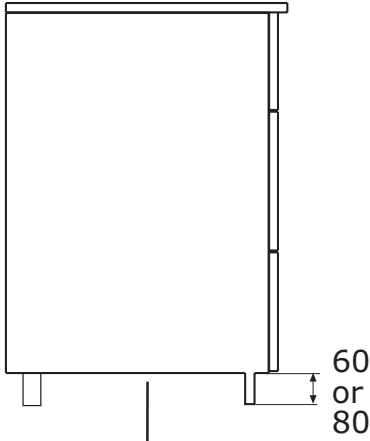
AFCONFRACTFP



accessories at page 37







KTFOBH6

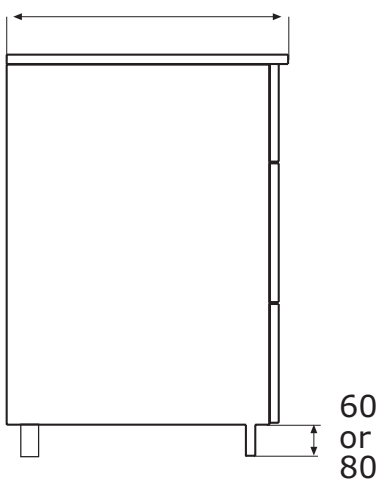
Installation C



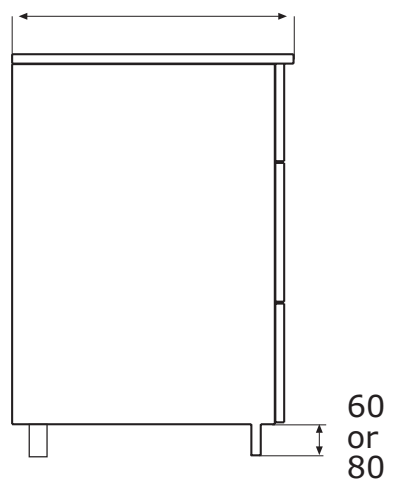
Installation D

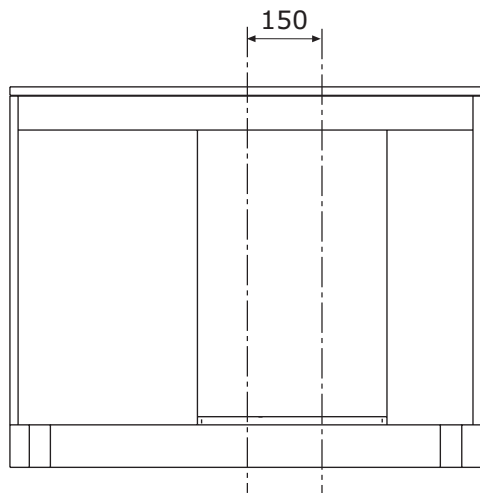
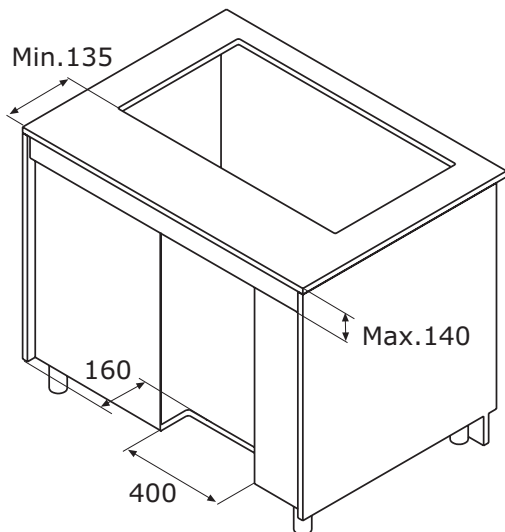
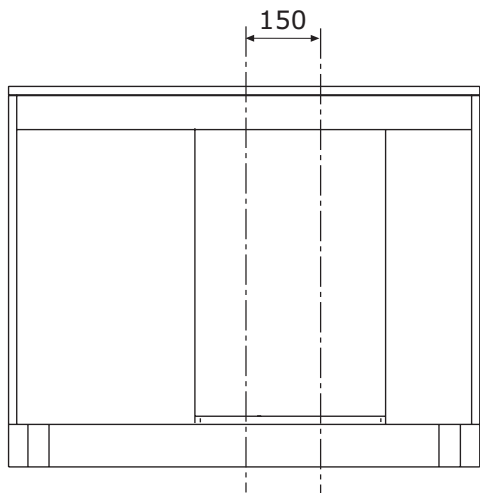
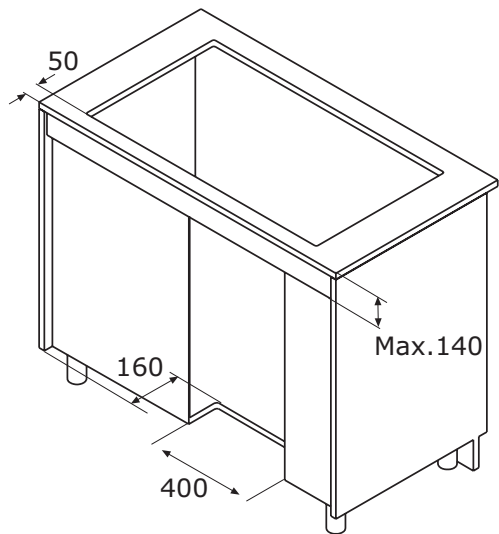


≤ 680

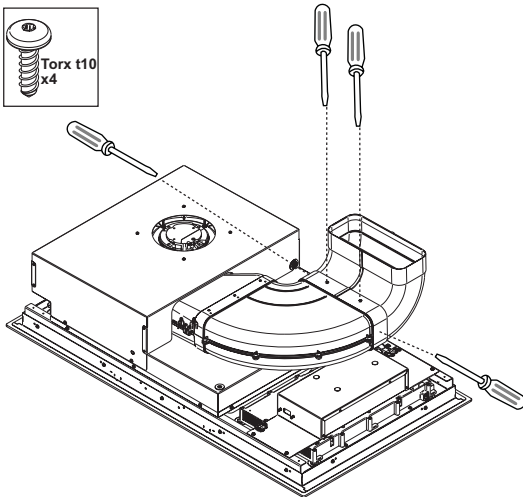
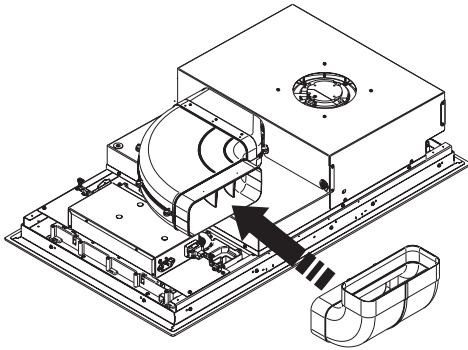
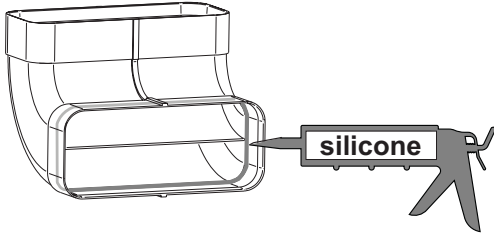


≥ 680

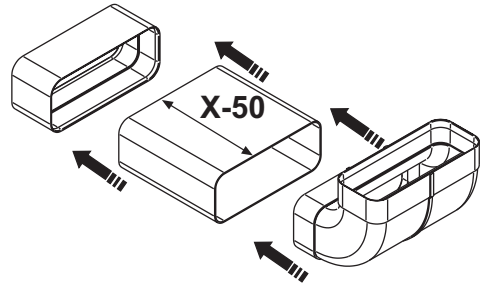
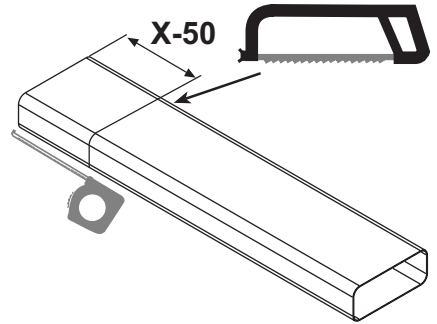
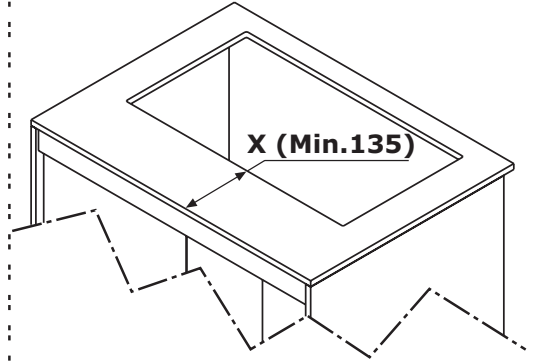




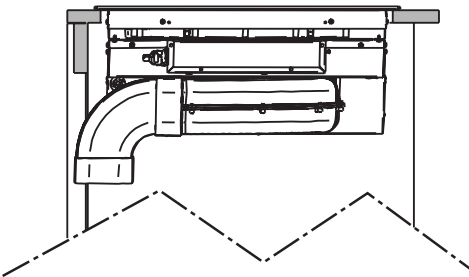
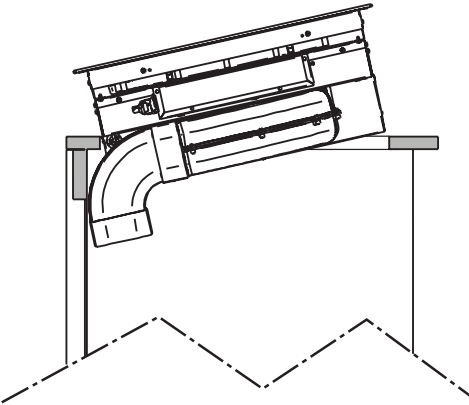
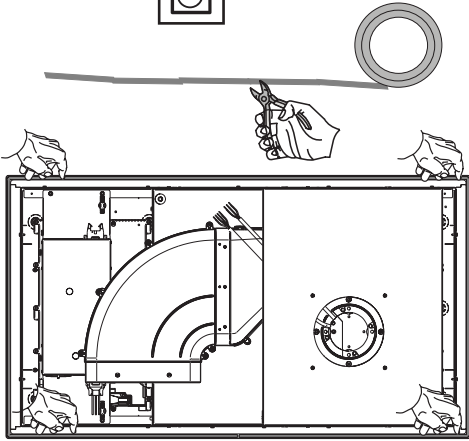
Installation C



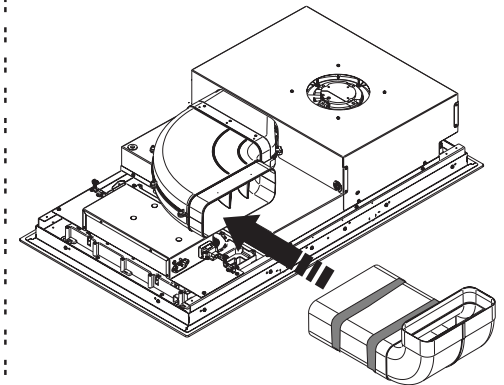
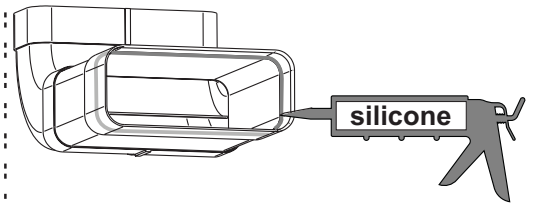
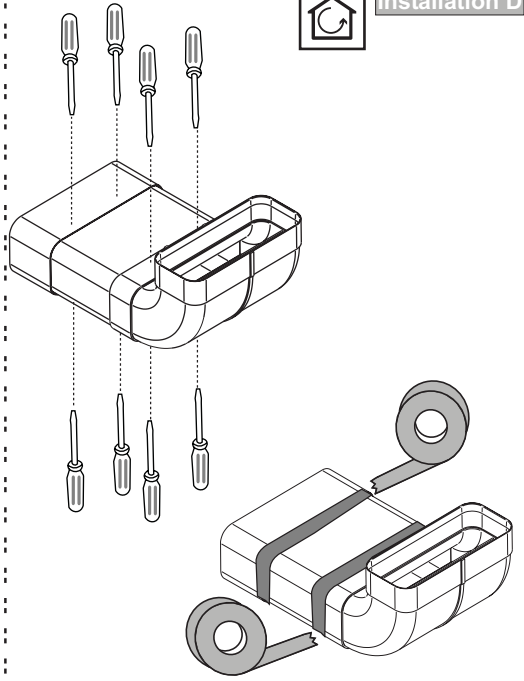
Installation D

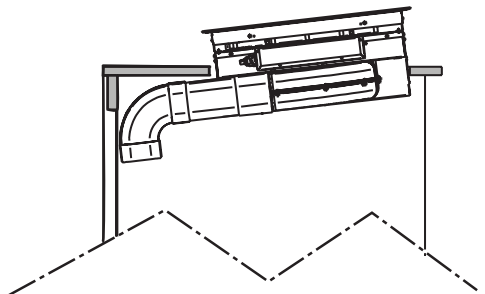
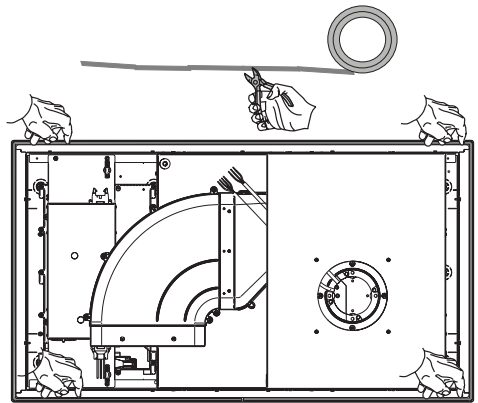
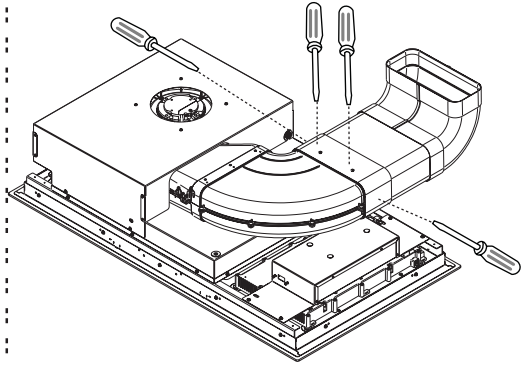


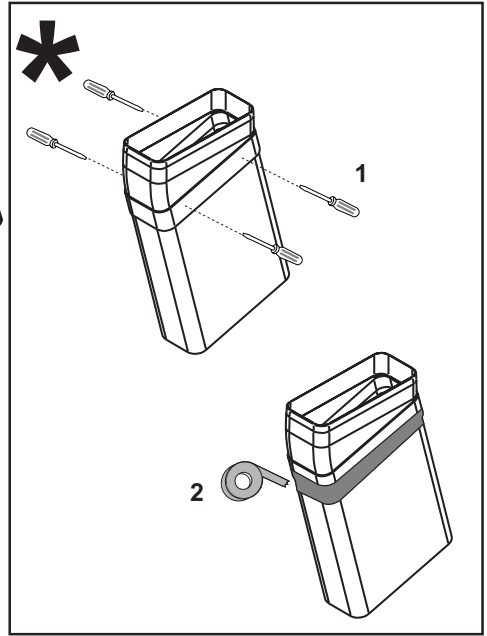
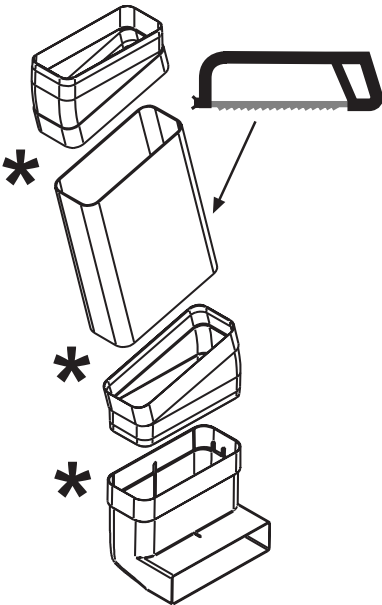
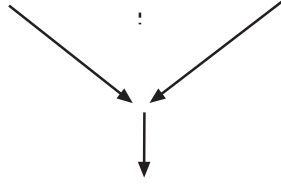
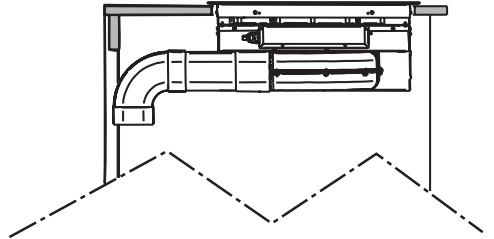
Installation C

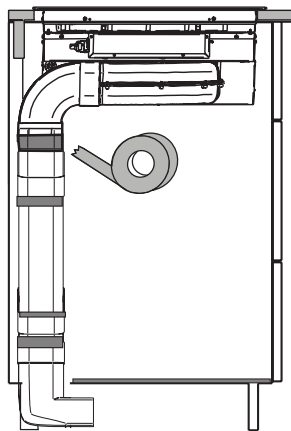
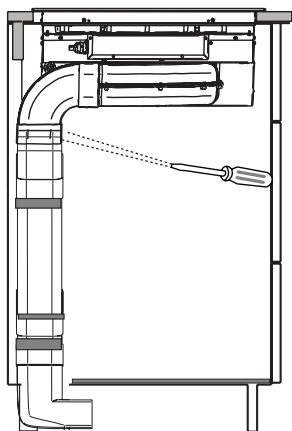
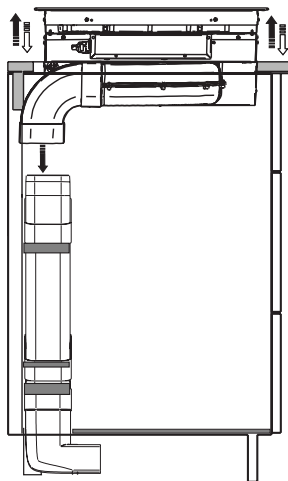
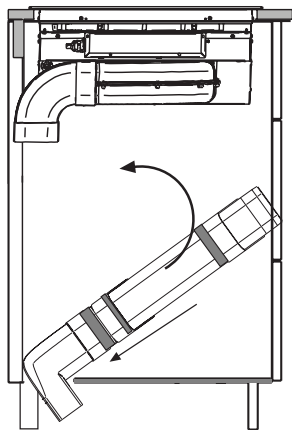


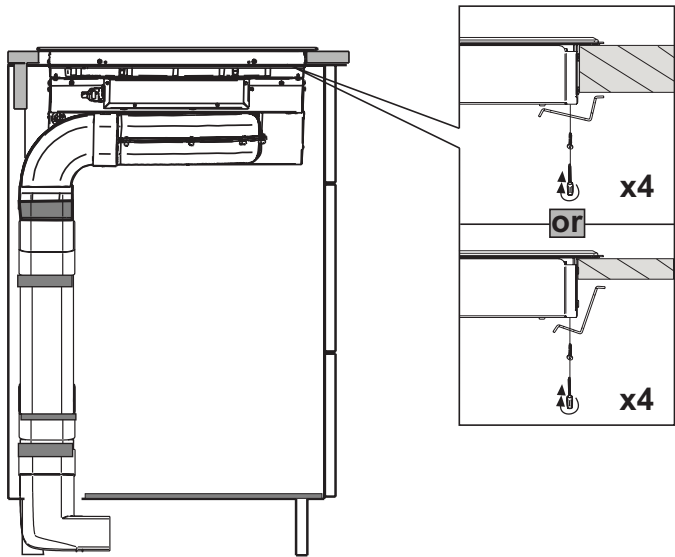
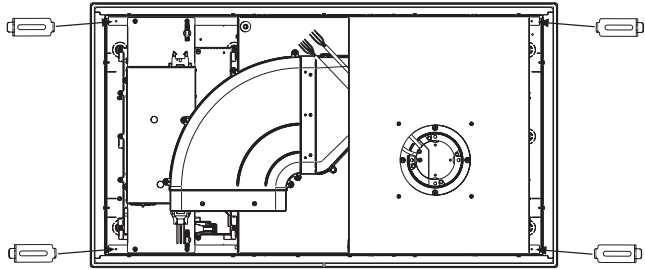
Installation D

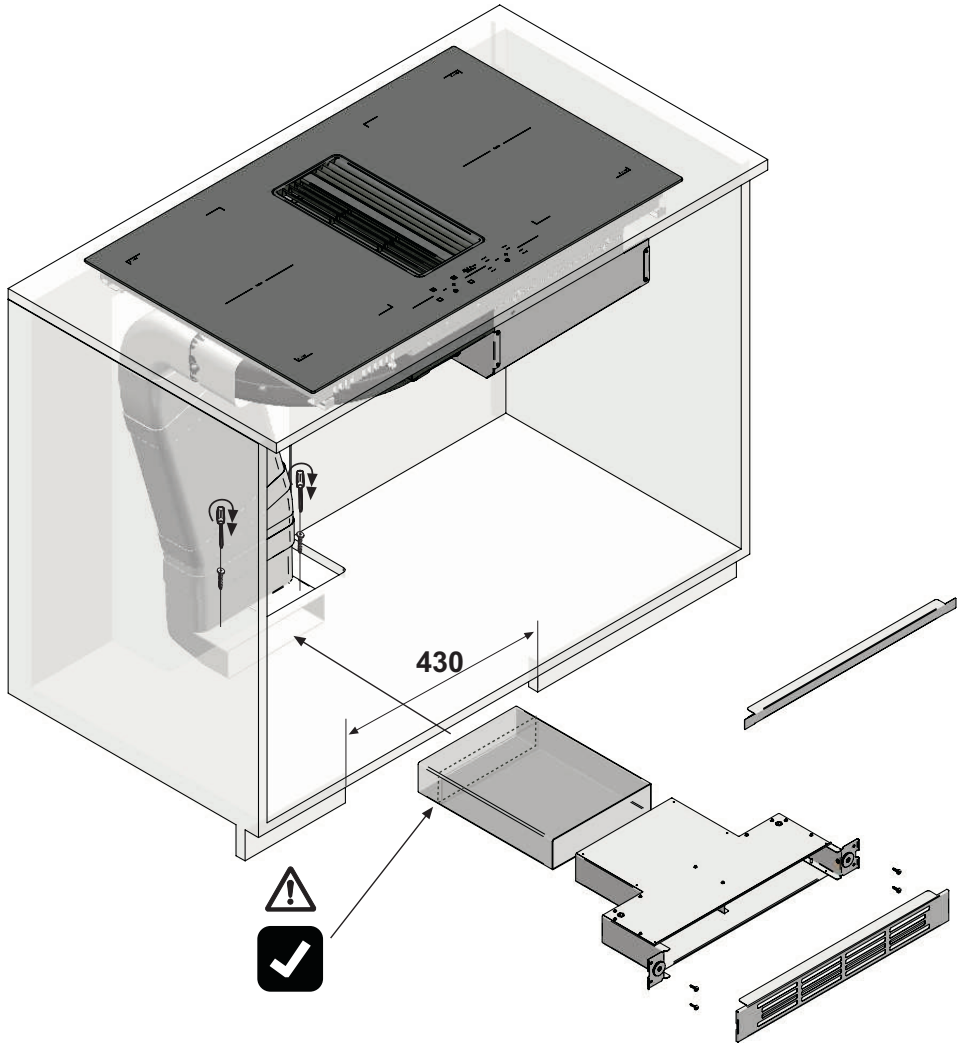


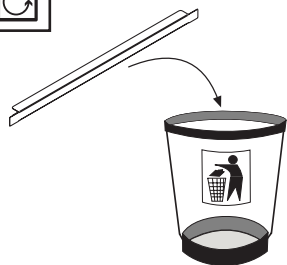




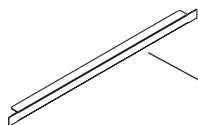
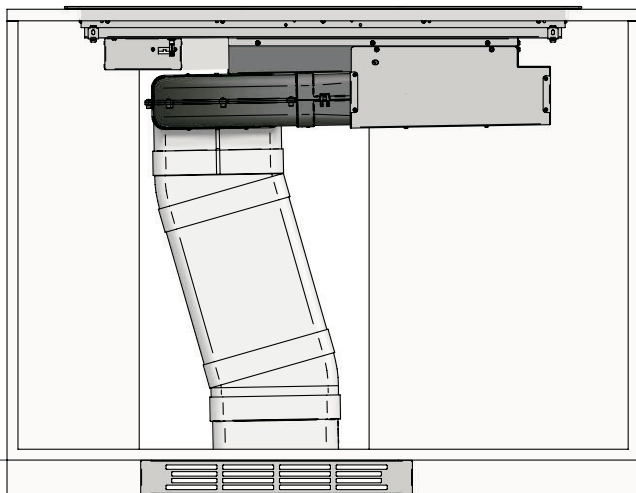




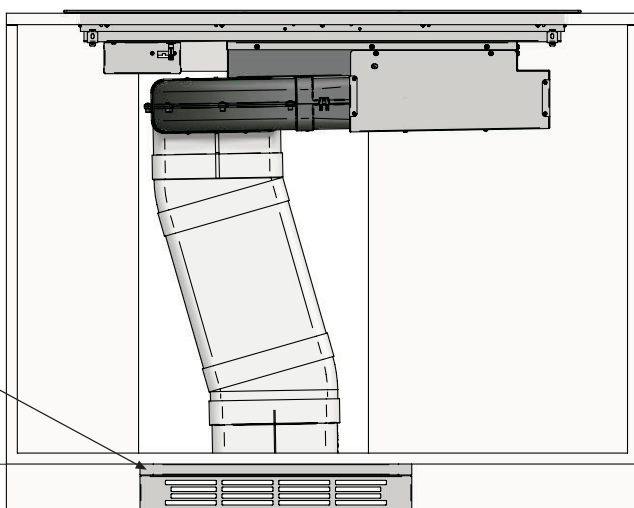


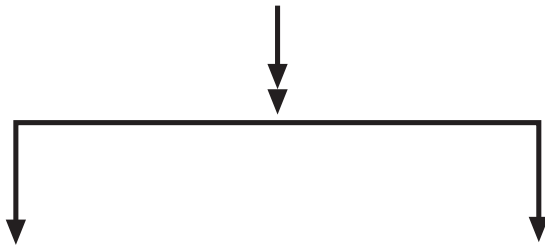


60

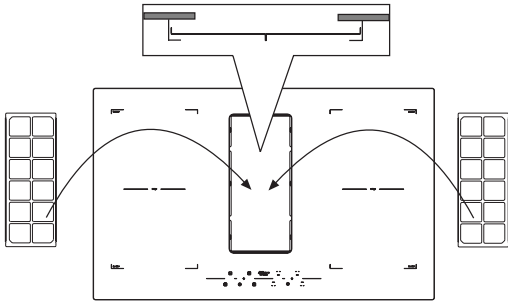


80

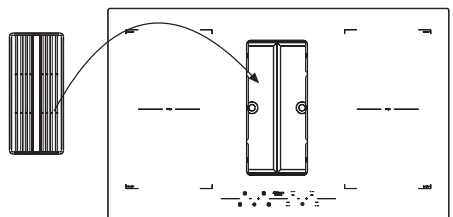
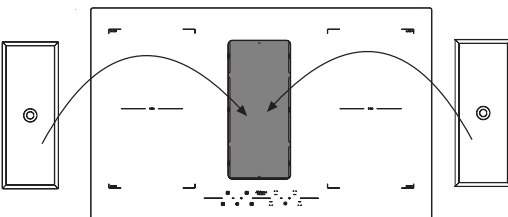
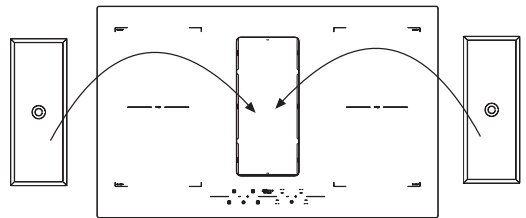
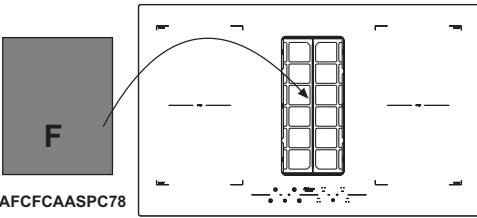
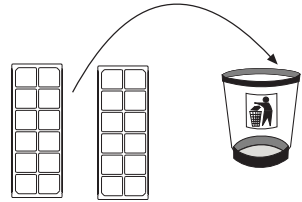




Standard

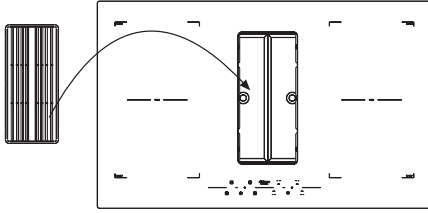


Plus

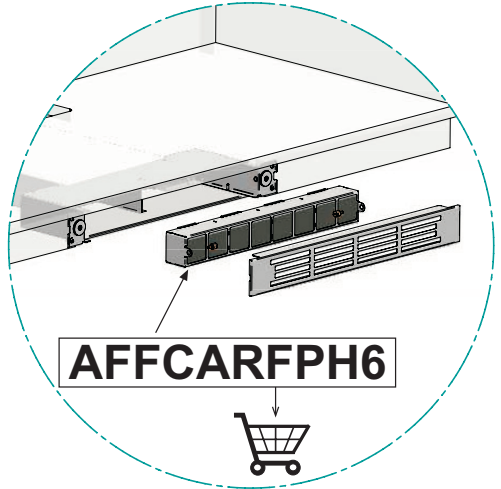
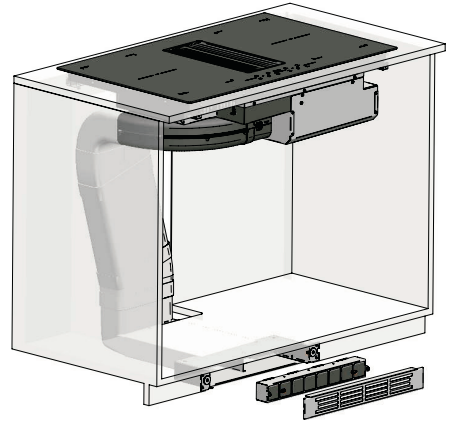


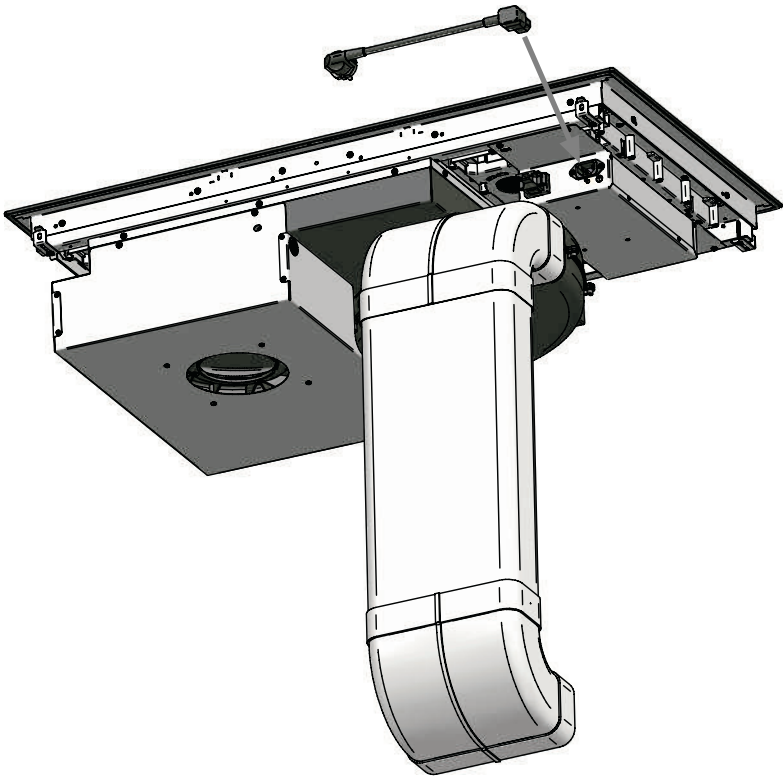


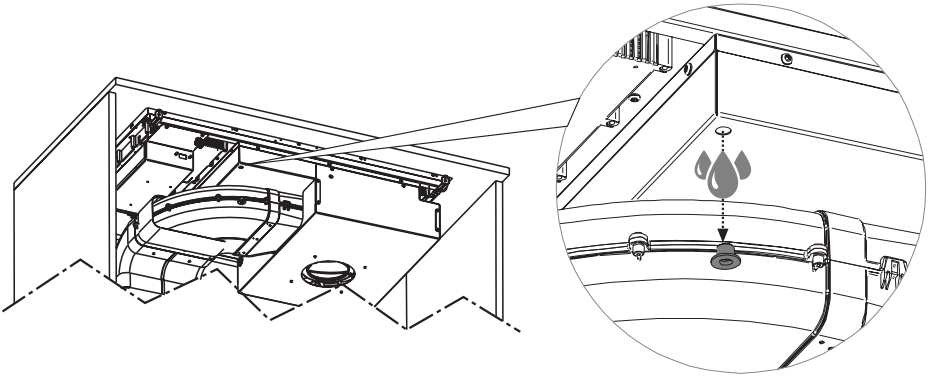
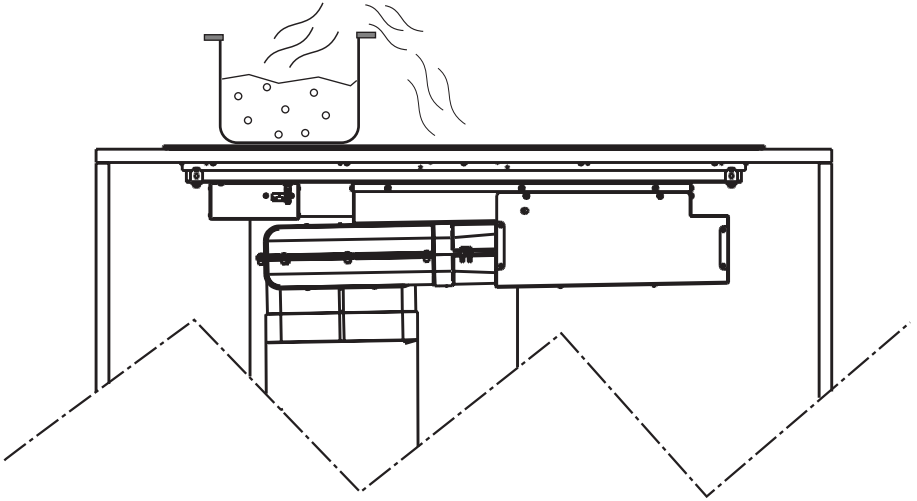
Standard



Plus

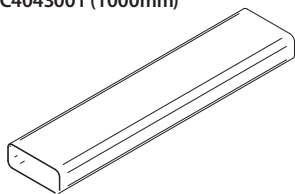






Accessories

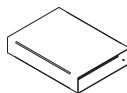
AFC4043001 (1000mm)



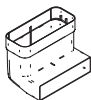
AFC4043005



AFC4021003



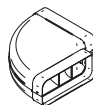
AFCRAC0120994



AFC4043004 (90°)



AFC4043003 (90°)



AFC4043007 (15°)



AFC4043006



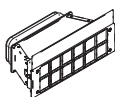
AFC4043002



KRASPO03



AFCONFRACFP

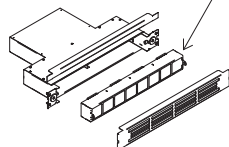


AFCFCARFP

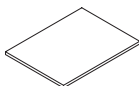


KRFH6

AFFCARFPH6



AFCFCAASPC78





D

Nach der Installation Ueberprüfen Sie, ob das Produkt ordnungsgemäß funktioniert, danach warten Sie 24 Stunden, damit das Silikon vollständig trocknen kann.

GB

Once installation is complete, verify the correct functioning of the product, then wait 24 hours to allow the silicone to dry completely.

F

Une fois l'installation terminée, vérifier que le produit fonctionne correctement. Une fois vérifiée, attendre 24h afin de permettre au silicone de sécher complètement.

ES

Una vez terminada la instalación, verificar que el producto funcione correctamente. Una vez verificado, esperar 24 horas para permitir al silicona de secarse completamente.

I

Ad installazione ultimata verificare il corretto funzionamento del prodotto, dopo di che attendere 24 ore per consentire al silicone di asciugarsi completamente.

Caution

This instruction handbook is conserved together with the *centrale ob* for future consultation. If the equipment is sold or transferred to another person, make certain the instruction handbook is supplied together with it, so that the new user can become aware of the operation of the cooker hood and related warnings. These warnings have been compiled for your safety and the safety of others. Please take the time to read them carefully before installing and using the equipment. Be sure to also consult the drawings in the front pages, including the alphabetic and numeric references in the text descriptions. Closely follow the instructions in this manual. The manufacturer declines all responsibility for any inconveniences, damage or fires caused due to non-compliance with the instructions in this manual. The installation and electrical connection must be provided by a qualified service technician. The supplier is not liable for any warranty for damages caused by improper installation or improper use of the appliance. Do not modify or seek to modify the specifications of this appliance.

The cooking top must always be used within the limits of normal domestic use, not for professional use, but simply to prepare and keep dishes warm. Any other use is not allowed. The unit should not be left unsupervised during its operation.

This appliance can be used by children from the age of 8 onwards, and by persons with reduced physical, sensory or mental capabilities, or lack of experience and knowledge, provided they are properly monitored, or if they have been instructed in the safe use of the appliance and are aware of related dangers.

Children must not be allowed to play with the appliance.

Make use of the locking device to prevent children from accidentally turning on the device, or modifying its functions. The unit should not be left unsupervised during its operation.

Do not control the cooking top using a remote timer.

The unit should not be left unsupervised during its operation. Make certain children at home are prevented from toppling hot pots and pans to the floor. Turn the handles and knobs of pots and pans to the side on the cooking top, so that they are above the cooking top, and to prevent the risk of burns.

For safety reasons, the cooking top must be used only after having been installed in its recessed housing.

Prior to proceeding with the installation, check to make sure there are no visible signs of damage to the cooking top. Never start up a damaged unit, as it may pose a safety risk.

Cleaning and maintenance must not be carried out by children without proper supervision.

If the power cord is damaged, it must be replaced by a qualified service centre or technician only.

CAUTION: The hob protection devices must be only those designed by the appliance manufacturer or those indicated as suitable in the manufacturers instructions or the hob protection devices incorporated in the appliance.

The use of inappropriate protection devices may provoke accidents.

During the installation the equipment must be connected to a power source whose system impedance is matched to a value of $0.005+j0.005[\text{Ohm}]$.

Do not seal the area between the glass and the worktop with silicone because should the cooktop need to be replaced, the glass could break during removal.

The unit's installation and electrical connection to the power grid must be carried out by qualified service technicians only. The device's electrical safety can be guaranteed solely if a regular ground connection is provided for the cooking top. If in doubt, have the electrical system checked by a qualified electrician. Do not connect the cooking top to the mains using extension cords or multiple sockets, since they will not guarantee the required safety (e.g. risk of overheating). Prior to connecting the cooktop, compare the connection specifications (voltage and frequency) indicated on the unit's identification nameplate with those of the mains electricity supply. These specifications must absolutely correspond, otherwise the unit may be subject to damage. Contact an electrician if in doubt.

Disconnect the unit from the mains when carrying out installation work, maintenance or repairs.

Comply with all air discharge regulations.

CAUTION: If the surface is cracked, switch off the appliance to avoid the possibility of electric shock.

Never open unit's outer casing. Any contact with live parts or the modification of electrical or mechanical parts can cause operating abnormalities.

The induction hob should not be used as a work surface. The rough underside of food containers can scratch the surface of the cooktop.

Always keep the cooking areas and underside of food containers perfectly dry.

Fire hazard

Oil and grease that are too hot will catch fire quickly.

Do not leave overheated oil or grease unsupervised.

If oil or grease should catch fire, do not attempt to put out the flames with water. Extinguish the flames with a lid or plate, or with a fireproof blanket. Turn off the cooking zone. Never place flammable items on the hob.

WARNING: Fire hazard: do not leave objects on the cooking surface.

Burn hazard

CAUTION: This appliance and its accessible parts become very hot during use.

Pay attention to avoid touching the heating elements.

Keeep children under 8 years of age away from the appliance, unless they are continually monitored.

Do not place objects such as knives, forks, spoons or lids on the induction top, as they may overheat.

Do not heat closed containers, such as tin receptacles, on the cooking top. The excess pressure generated could blow up the container.

Suitable food containers

Only ferromagnetic containers are suitable for induction cooking; the following receptacles, in particular, are suitable: enamelled steel, cast iron, special dishes for induction cooking in stainless steel.

Use only pots and pans with a smooth bottom. Do not introduce any objects between the bottom of the pot and the glass ceramic surface, such as adapters.

Cooking zone	Minimum diameter
OCTA (single)	110 mm
OCTA (bridged mode)	230 mm

To find whether receptacles are suitable, check whether they are attracted by a magnet.

Another type of special receptacle exists for induction cooking, with a bottom that is not entirely ferromagnetic.

Non-suitable food containers

Never use recipients made of: normal finegrained steel, glass, pottery, copper and aluminium. Do not place empty containers on the cooking zone, as they may cause damage.

Do not place hot recipients on the control panel, in the area of the pilot lights or on the edge of the cooking top, as they may cause damage.

Danger of mishaps

Pots from which liquids have completely evaporated can cause damage to the glass ceramic top, for which the manufacturer does not assume any responsibility.

The appliance is equipped with a cooling fan. If a drawer is set under the recessed hob, a suitable distance must be ensured between the contents of the drawer and the lower part of the unit, in order to avoid compromising ventilation.

The worktop should be flat and horizontal. The furniture should be cut to measure before installing the appliance. Remove any chips to avoid compromising the operation of electrical components.

Do not store small objects or sheets of paper in the drawer under the cooking hob, since such objects may be aspirated and could break the fan, thus hindering the unit's cooling; likewise, do not store metal or inflammable objects, which could become very hot or catch fire.

If the cooking hob is assembled behind a cabinet door, power it on only with the door left open. Close the cabinet door only if the appliance and residual heat indicator lights are off.

If the unit is assembled above an oven or an electric pyrolytic stovetop, it should not be operated while the pyrolytic process is ongoing, as it can trigger the cooktop's overheating protection.

The cooktop should not be installed above dishwashers because the steam released by the latter may lead to faulty operation of the electronic circuit of the cooktop.

Do not make use of any steam devices, as steam can reach the appliance's live parts and cause a short circuit.

Any interventions or repairs on the unit during the warranty period must be carried out solely by the manufacturer's authorised service centre; conversely, the warranty will be is invalidated and terminated immediately. The manufacturer will not recognise any warranties under any circumstances for any problems subsequently encountered.

Replace any defective or damaged parts with original spare parts: only original spare parts can ensure compliance with safety standards.

Notice to persons with pacemakers: keep in mind that an electromagnetic field is generated in the immediate vicinity of the unit while it is in operation.

The possibility that the pacemaker's operation may be affected is very remote. If in doubt, contact the pacemaker manufacturer or your doctor.

Warning: do not pour any type of liquid into the suction slot of the hood.

Warning: it is recommended to seal with silicone or adhesive tape all the joints of the pipes, both of the exhaust pipes and the fittings that join the various parts.

In the case of installation in filtration mode, pay particular attention to the positioning of the fume exhaust area to avoid possible turbulence, so as not to interfere either with the suction system or with the hob.

In the installations in filtration mode, place the pipes inside of the plinth of the furniture, ensuring air evacuation to the outside via a special grid, in order to prevent moisture from building up inside of the same.

The liquid collection tray must be emptied on a regular basis.

Such tray is designed to contain about 0,7 litre of water; in case of spillage or fall of fluids on the device, turn off the appliance immediately and empty the tray. If the liquid fallen on the floor is greater than the maximum capacity of the tray, turn off the device and contact the customer service immediately.

After use, turn off the cooking hob through its control device and do not rely on the cookware detector.

Noise emissions

Induction can generate slight noise emissions, which can vary depending on the material, type of pot and power setting selected.

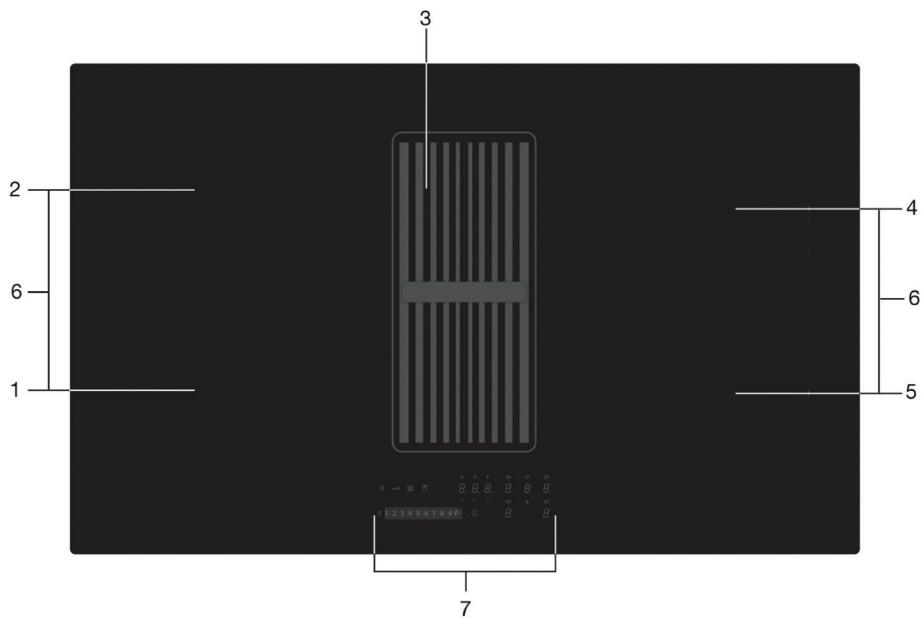
When the cooktop is used frequently, the cooling fan turns itself on to protect the electronics, generating a buzzing sound: this is perfectly normal.

First usage

Use a damp cloth to clean and dry the cooktop before using it for the first time. It is recommended to dry the appliance after having cleaned it with a damp cloth, in order to prevent the build-up of limescale.

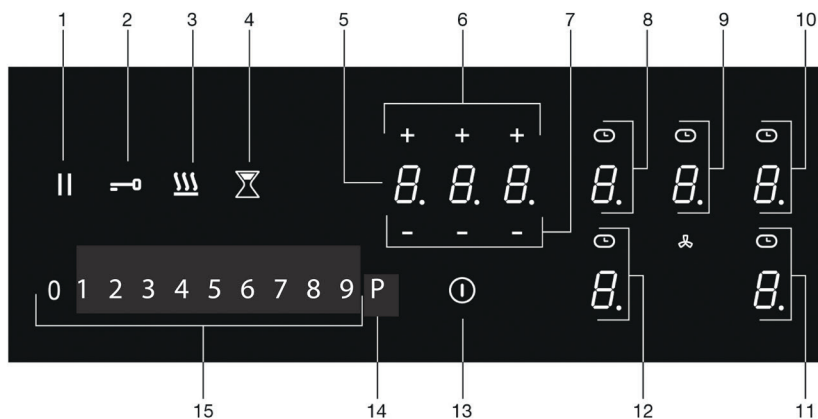
When the unit is powered on for the first time, odours or fumes may be generated. The odour will diminish with each subsequent use, until it disappears altogether. Odours and any fumes are not caused by a faulty connection or damage to the appliance, and are not hazardous to health.

YOUR INDUCTION HOB

Description












1. Cooking zone front left 210 x 190 mm / 2,1 kW (boost 3,0 kW)
2. Cooking zone rear left 210 x 190 mm / 2,1 kW (boost 3,0 kW)
3. Extractor
4. Cooking zone rear right 210 x 190 mm / 2,1 kW (boost 3,0 kW)
5. Cooking zone front right 210 x 190 mm / 2,1 kW (boost 3,0 kW)
6. Connected cooking zones 21 x 39 cm / 3.7 kW
7. Control panel






YOUR INDUCTION HOB



Description

1. Pause key
2. Lock key
3. Keep warm key
4. Minute minder key
5. Timer display
6. Plus key timer
7. Minus key timer
8. Cooking zone key rear left (cooking zone display) and timer symbol
9. Extraction key (extractor unit display) and timer symbol
10. Cooking zone key rear right (cooking zone display) and timer symbol
11. Cooking zone key front right (cooking zone display) and timer symbol
12. Cooking zone key front left (cooking zone display) and timer symbol
13. On/Off key
14. Boost key
15. Slide control (from position 0 to position 9) for:
 - ▷ setting a value (power level/extractor speed level/minutes)

Indications in the display

Cooking zone display	Description
	Power level; 1 = low level / 9 = high level.
	Boost level active.
	No (suitable) pan on cooking zone (pan detection symbol).
	Residual heat indicator; The hob has a residual heat indicator for each cooking zone to show those which are still hot. Although the hob is switched off, the indicator 'H' will remain on for as long as the cooking zone is hot! Avoid touching them when this indicator is lit.
	Danger! Risk of burns.
	Child safety lock active.
	Automatic heat-up function active.
	Keep warm function active.
	Pause function active.
	Connected Bridge induction zones active.
	Timer active.

Extractor unit display	Description
	Extractor speed level: 1 = low level / 9 = high level.
	Boost level active.
	'FG': Grease filter saturation indication.
	'FC': Odour filter saturation indication.
	Timer active.

Timer display	Description
	Timer has not been set.
	Timer has been set (25 minutes).

YOUR INDUCTION HOB



Before use, read the separate safety instructions.

Temperature safety

A sensor continuously measures the temperature of certain parts of the hob. Every cooking zone is equipped with a sensor that measures the temperature of the bottom of the pan to avoid any risk of overheating when a pan boils dry. In case of temperatures rising too high, the cooking level is reduced automatically or the hob switches off automatically.

Cooking-time limiter



The cooking-time limiter is a safety function of your cooking appliance. It will operate if you forget to switch off your hob. Depending on the power level you have chosen, the cooking time will be limited as follows:

Power level	Maximum operating time (in hours, minutes)
1	8 hours, 36 min.
2	6 hours, 42 min.
3	5 hours, 18 min.
4	4 hours, 18 min.
5	3 hours, 30 min.
6	2 hours, 18 min.
7	2 hours, 18 min.
8	1 hour, 48 min.
9	1 hour, 30 min.
P (boost)	5 min (then switches back to level 9)

Power management

Two cooking zones one in front of the other effect each other. When both of these cooking zones are switched on at the same time, the power is automatically shared between them. When the Boost function is selected, the other cooking zone will be set to a somewhat lower setting. If a cooking zone is set at boost and you want to set the other one to setting 9, the cooking zone with boost will automatically go to a lower setting. Automatic heat-up function is deactivated.

Use of the touch keys and slide control

Place the tip of your finger flat on a key or the slide control to achieve the best results. You do not have to apply any pressure. The touch keys only react to the light pressure of a fingertip.

Do not operate the controls with any other objects.

Induction noises

A ticking sound

This is caused by the capacity limiter on the left and right zones. Ticking can also occur at lower cooking levels.

Pans are making noise

Pans can make some noise during cooking. This is caused by the energy flowing from the hob to the saucepan. At high levels, this is perfectly normal for some pans. It will not damage either the pans or the hob.

The fan is making noise

To enlarge the lifespan of the electronics, the appliance is equipped with a fan. If you use the appliance intense, the fan is activated to cool down the appliance and you will hear a buzzing sound. The fan runs on for several minutes after the hob has been switched Off.

Appropriate pans

Induction cooking requires a pan with a thick flat bottom (minimum 2.25 mm). Use pans made of magnetic material or pans with a sandwich bottom. Pans made of copper, aluminum or ceramic material are not appropriate.



Only use pans with a flat bottom. A hollow or rounded bottom can interfere with the operation of the empty cooking protection, causing the appliance to become too hot. This may lead to damages. Damage caused by using pans that are not appropriate or that boil dry is excluded from the guarantee.



Pans that have been used on a gas hob cannot be used on an induction hob.



Be careful with thin enamelled sheet-steel pans! The enamel may become damaged at high settings if the pan is too dry. High power level settings may cause the bottom of the pan to warp.

BEFORE FIRST USE



Attention

Make sure the bottom of the pan and the surface of the cooking zone are clean and dry. We recommend that you lift pans and not slide them over the hob.

Pan detection

- If the hob does not detect a (suitable) pan after a pan is put on a cooking zone, the pan detection symbol flashes in the display. After 20 seconds, the cooking zone switches off.
- If you remove a pan from the cooking zone during cooking, the pan detection symbol shows. The cooking zone switches off. The symbol disappears when you put the pan back. The cooking zone switches on again with the power level set before.
- The automatic pan detection (adjustable: active by default) automatically detects a pan that is put on a cooking zone. The display of this cooking zone lights up more intensely.

Cooking levels

The cooking zones have 9 levels and a 'boost' level (P). Set the cooking level by touch and slide over the slide control. By slide over the slide control, the cooking setting is changed. By move to the right, the level increasing, while moving to the left decreases the level. When you move your finger away from the slide control, the cooking zone starts to operate at the level set.

Boost function

- You can use the 'boost' function to cook at the highest cooking level during a short period of time (max. 5 minutes). After the maximum boost time the power will be reduced to setting 9.

BEFORE FIRST USE

Cooking guidelines

Because the levels depend on the quantity and composition of the contents of the pan, the table below is intended as a guideline only.

Use level 'boost' to:

- bring the food or liquid to the boil quickly;
- 'shrink' greens;
- heat oil and fat;
- wok.

Use level 9 to:

- sear meats;
- cook fish;
- cook omelettes;
- fry boiled potatoes;
- deep fry foods.

Use level 7 and 8 to:

- fry thick pancakes and make French toast;
- fry thick slices of breaded meat;
- fry breaded fish;
- fry bacon (fat);
- cook raw potatoes;
- cook through pasta;
- fry thin slices of (breaded) meat.

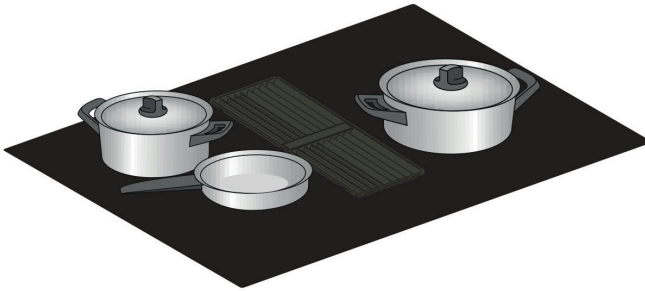
Use level 4-6 to:

- complete the cooking of large quantities;
- defrost hard vegetables;
- fry thick slices of breaded meat.

Use level 1-3 to:

- simmer bouillon;
- stew meats;
- simmer vegetables;
- melt chocolate;
- poach;
- melt cheese.

BEFORE FIRST USE

Use of the downdraft

- ▷ Place the lid at an angle on the pan with the opening to the extraction side. This ensures maximum extraction.



OPERATION OF THE HOB

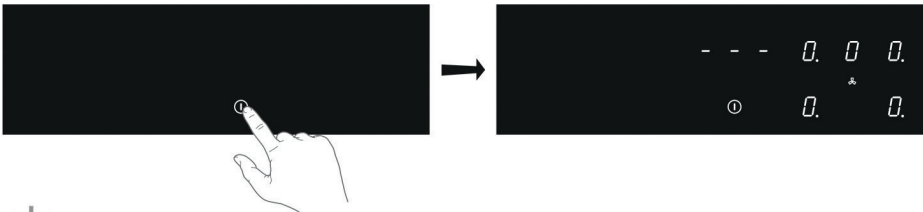


Please read the chapter 'Before first use' very carefully before you start cooking.

This prevents incorrect use of the hob.

Start cooking

1. Touch and hold the on/off key until you hear an audio signal.
 - ▷ All displays light up; the induction hob is in standby mode.
 - ▷ The cooking zones and the extraction unit have power level zero.



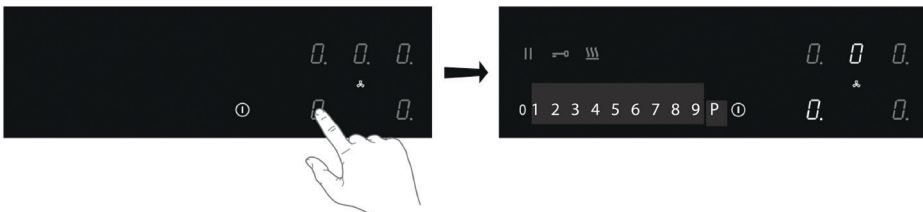
If the hob is not used for 20 seconds, it will shut off automatically.

2. Place a suitable pan on the cooking zone.
 - ▷ The cooking zone automatically detects the pan; the display of this cooking zone lights up more intensely.



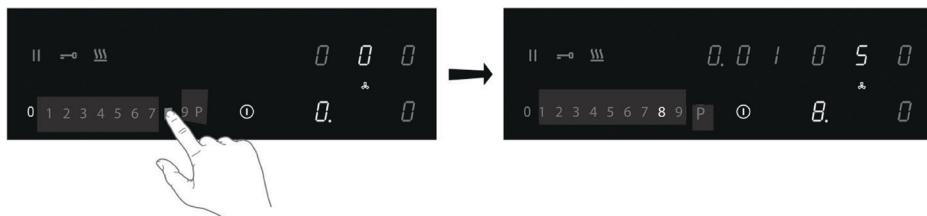
As long as the display of the cooking zone lights up brightly, the cooking zone is selected and the power level can be set.

3. When the response time has elapsed, or during cooking, you can activate the cooking zone by manually selecting the display of the desired cooking zone.



OPERATION OF THE HOB

4. Within 10 seconds, set the power level by touching the slide control.
 - ▷ The cooking zone starts at the level that has been set.



Boost

You can use the boost function to cook for max. 5 minutes at the highest cooking level. You can use the Boost function for a maximum of two cooking zones alongside each other at the same time.

1. Touch power level P to select the Boost function.
 - ▷ P' shows on the display.
 - ▷ After the maximum boost time the power will be reduced to power level 9.

Pan detection symbol

When the pan detection symbol appears in the display:



- you have not placed a pan on the correct cooking zone;
- the pan you're using is not suitable for induction cooking;
- the pan is too small or not properly centred on the cooking zone.
 - ▷ The cooking zone will not work unless there is a suitable pan on the cooking zone.

OPERATION OF THE HOB

Finish cooking

1. Set the power level to '0' to switch off the cooking zone.
2. Switch off the induction hob by touching the On/off key.



Symbol H will appear in the display of the cooking zone which is too hot to touch. The symbol disappears when the surface has cooled down to a safe temperature. It can also be used as an energy saving function; if you want to heat other pans, use the cooking zone that is still hot.

Switch on the automatic heat-up function

This function sets the cooking zone at the highest level in order to bring your pan rapidly up to the required temperature. After a given time interval, the power level returns to the established level. This function is available for power level 1 to 8.

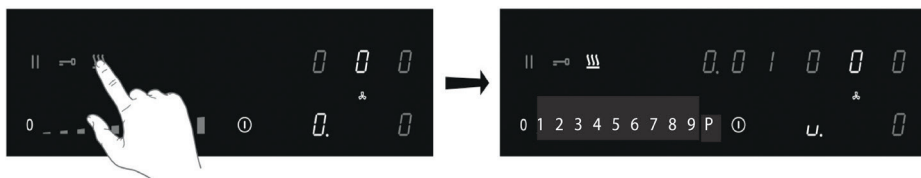
Power level	Heat-up time (seconds)
1	48
2	144
3	230
4	312
5	408
6	120
7	168
8	216

1. Switch on the hob and select the desired cooking zone .
2. Touch and hold the slide control for at least 3 seconds at the desired level (from 1 to 8).
 - ▷ An 'A' appears in the display alternating with the selected power level. When the automatic heat-up time has expired, the cooking zone will switch automatically to the selected level which will show permanently on the display.
3. To stop the automatic heat-up function, select the cooking zone and touch the slide control.

OPERATION OF THE HOB

Switch on the keep warm function

1. Switch on the hob and put a suitable pan on a cooking zone.
2. Touch the cooking zone key of the desired cooking zone.
 - ▶ The '0' of the selected cooking zone will light up clearly and a single beep sounds.
3. Touch the keep warm key.
 - ▶ The keep warm symbol 'u' appears in the display. The keep warm function is selected.



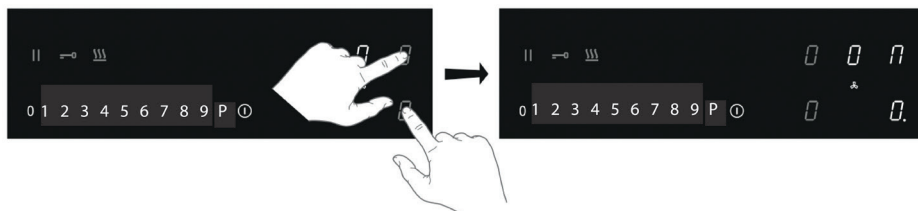
4. Set the power level to '0' or touch the keep warm key to switch off the keep warm function.

Connecting the Bridge induction cooking zones

Two Bridge induction cooking zones can be connected to each other. This creates one large zone that can be used, for example, with a grill plate or a fish pan on the same power level. The pan must be large enough to cover the centres of the front and rear bridge induction cooking zone (at least 22 cm).

Connection of Bridge induction cooking zones

1. Switch on the hob.
2. Simultaneously touch the right-hand side cooking zone keys.
 - ▶ The rear cooking zone display shows a connection symbol to indicate that the two cooking zones are connected.

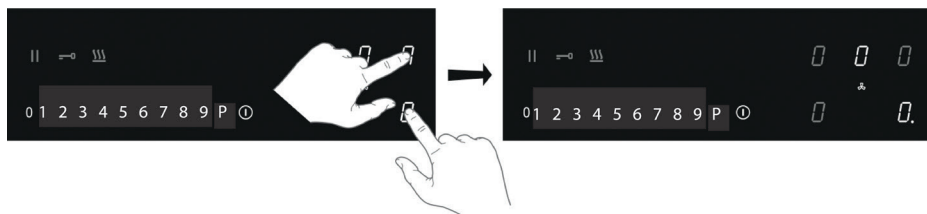


3. Set the power level by touching the slide control.
 - ▶ The front cooking zone display shows the power level.

OPERATION OF THE HOB

Disconnection of Bridge induction cooking zones

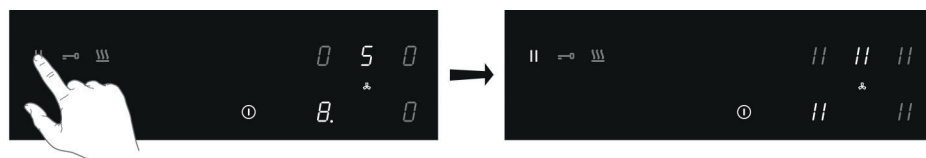
1. Simultaneously touch the cooking zone keys of the connected cooking zones.
 - ▷ The connection symbol will disappear on the rear cooking zone display.



Pause cooking

This function stops the cooking activity temporarily (max. 10 minutes); the extraction will go to the lowest setting and timers are paused.

1. Touch the pause key.
 - ▷ All the displays show the pause symbol.



2. To continue cooking, touch the pause key for at least 1 second until it flashes.
3. Touch any other key within 10 seconds and the cooking process will continue.
 - ▷ The hob will automatically switch off after 10 minutes if the pause function is not switched off in the meantime.

Recall function

If the hob was switched off accidentally with the On/off key, all settings can be restored using the recall function.

1. Touch the on/off key again within 6 seconds.
 - ▷ The pause key is flashing.
2. Touch the pause key within 6 seconds.
 - ▷ The previous settings are active again.

OPERATION OF THE HOB

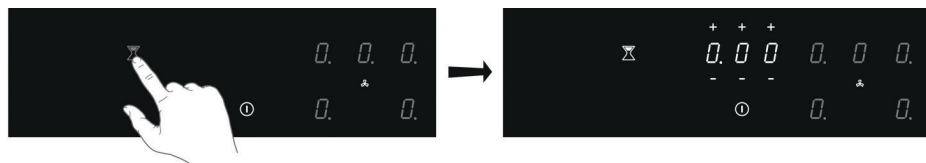
Using the minute minder



The minute minder is not connected to a cooking zone. The minute minder does not switch off a cooking zone or the extractor unit.

The hob is switched on.

1. Touch the minute minder key to switch on the minute minder.
 - ▷ The timer display shows '0.00'.



2. Use the '+' or '-' key to set the desired time (from 1 minute to 9 hours and 59 minutes).
 - ▷ The left position of the timer display shows the hours, the other positions the minutes.
 - ▷ When the time is set, it will begin to countdown.
 - ▷ The timer display will show the remaining time.
 - ▷ The last 10 minutes will be displayed in minutes and seconds.
 - ▷ The timer flashes and the alarm beeps after the set time has passed.
3. Touch the timer display to stop the alarm.
 - ▷ The alarm stops automatically after 2 minutes.



Touch the minute minder key and then touch the '-' key to set the time to '0.00' to switch off the minute minder before the time has passed.



When the hob is switched off, touch the on/off key twice to switch off the minute minder before the time has passed.

OPERATION OF THE HOB

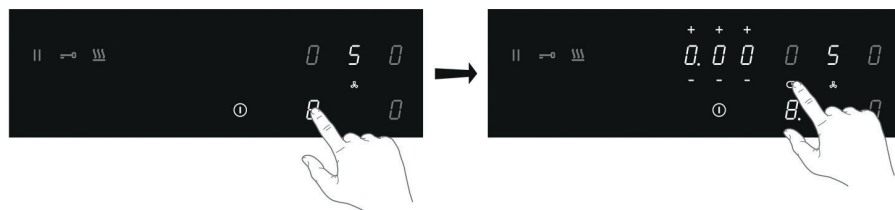
Using the cooking timer



The cooking timer is connected to a cooking zone. After the set time has elapsed, the cooking zone will switch off automatically.

The hob is switched on and for at least one cooking zone a power level has been set.

1. Touch the desired cooking zone key.
2. Touch the timer symbol.
 - ▷ The timer symbol of the active cooking timer lights up brightly.
 - ▷ The timer display shows '0.00'.



3. Use the '+' or '-' key to set the desired time (from 1 minute to 9 hours and 59 minutes).
 - ▷ The left position of the timer display shows the hours, the other positions the minutes.
 - ▷ When the time is set, it will begin to countdown and the timer symbol flashes slowly.
 - ▷ The timer display will show the remaining time.
 - ▷ The last 10 minutes will be displayed in minutes and seconds.
 - ▷ The selected cooking zone will switch off automatically once the set time has elapsed.
 - ▷ The timer flashes and the alarm beeps after the set time has passed.
4. Touch the timer symbol to stop the alarm.
 - ▷ The alarm stops automatically after 2 minutes.



All the cooking zones can have a cooking timer that has been set. The display will always show the time of the cooking zone with the shortest time remaining.

Changing the pre-set cooking time

The cooking time can be changed anytime during the operation.

1. Touch the relevant cooking zone key.
2. Touch the timer symbol.
3. Use the '+' or '-' key to change the time.

OPERATION OF THE HOB

Checking the remaining cooking time

1. Touch the cooking zone key to select the zone of which you want to see the remaining time.
 - ▷ A zone connected to the cooking timer is identified by a flashing timer symbol above the cooking zone display.
 - ▷ The timer will display the remaining time of the selected cooking zone.
 - ▷ During the last 10 minutes of countdown, the remaining time will be displayed in minutes and seconds.

Switching off the cooking timer

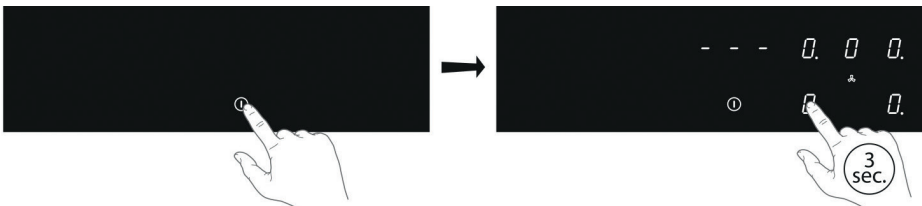
If you want to switch off the cooking timer before the end of pre-set time:

1. Touch the cooking zone key to select the zone of which you want to switch off the cooking timer.
 - ▷ A zone connected to the cooking timer is identified by a flashing timer symbol above the cooking zone display.
2. Touch the timer symbol.
3. Touch the '↵' key(s) to set the time to '0.00'.
 - ▷ The timer symbol is no longer brightly lit.
4. Confirm the setting; touch the timer symbol again.

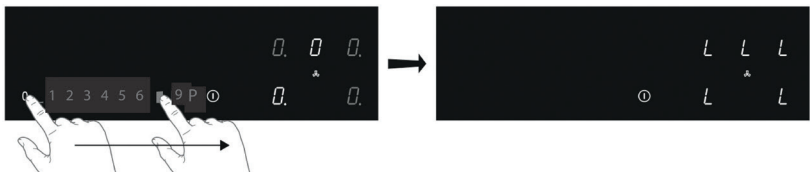
Child safety lock

To activate the child safety lock, the steps described must be completed within 10 seconds.

1. Switch on the hob.
2. Touch and hold any of the cooking zone keys for 3 seconds.



3. Release and slide your finger from 0 to 9 along the slide control.
 - ▷ All displays show the symbol 'L'

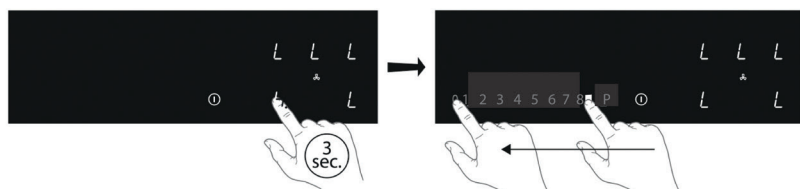


OPERATION OF THE HOB

The hob is now locked. It prevents unintended switching on. After 20 seconds, the hob will switch off automatically.

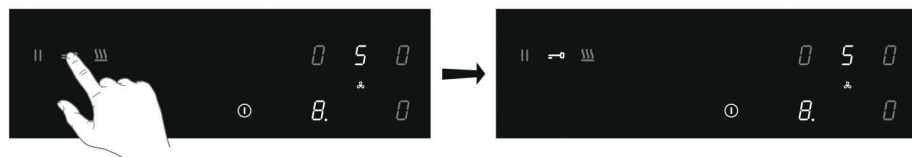
To deactivate the child safety lock, the steps described must be completed within 10 seconds.

1. Switch on the hob.
2. Touch and hold any of the cooking zone keys for 3 seconds.
3. Release and slide your finger from 9 to 0 along the slide control.



Locking function for rapid cleaning during cooking

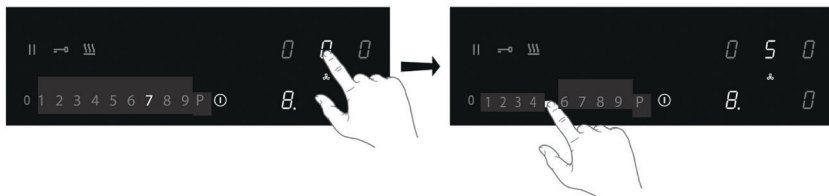
1. Touch the lock key.
 - ▷ The lock key lights up brightly; the settings of the hob are locked to allow rapid cleaning.
2. Touch the lock key again after the rapid cleaning to switch off the function.



OPERATION OF THE EXTRACTOR UNIT

Manually switching on and off the extractor unit

1. Touch the extraction key.
 - ▷ The display of the extractor unit lights up.
2. Set the extractor speed level within 3 seconds by touching the slide control (1 to 9).
 - ▷ The extractor unit switches on with the extraction speed that is set.
 - ▷ Set a higher or lower level with the slide control.



3. Set the extractor speed level to '0' to switch off the extractor unit.
4. Switch off the induction hob by touching the on/off key.



In recirculation mode, the extractor unit will operate in follow-up mode for another 20 minutes when the hob is switched off.

Boost

You can use the boost function to extract for max. 6 minutes at the highest level.

1. Touch level P to select the boost function.
 - ▷ 'P' shows on the display.
 - ▷ After the maximum boost time the extractor speed level will be reduced to level 9.



In recirculation mode there is no time limit and the boost function stays active.

2. Set the extractor speed level to '0' to switch off the extractor unit.
3. Switch off the induction hob by touching the on/off key.

OPERATION OF THE EXTRACTOR UNIT

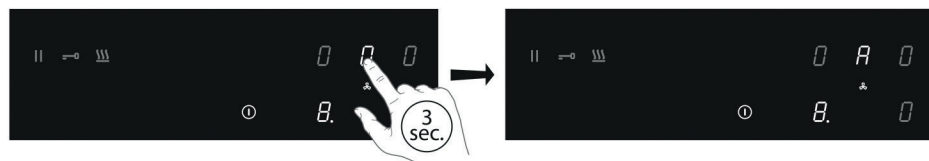
Switching on and off the automatic extraction mode



In automatic extraction mode the extraction level adjusts automatically to the use of the cooking zones.

A cooking zone is operating (level 8) and the automatic extraction mode is active (level 5).

1. Touch the extraction key for three seconds.
 - ▷ 'A' shows on the display.



2. Touch the extraction key for three seconds again to switch off the automatic extraction mode.

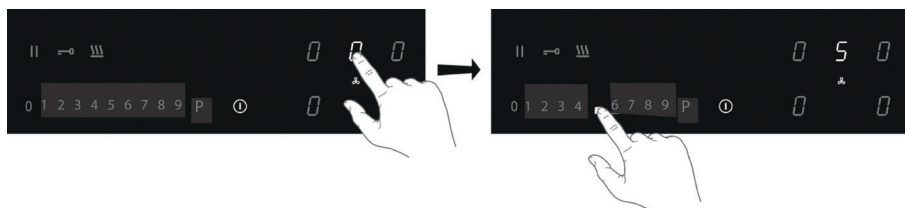
Set a number of minutes delay time

Use this function to switch off the extractor unit with a delay of a number of minutes.



The automatic extraction mode must be switched off.

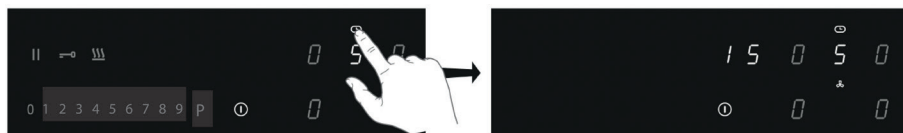
1. Switch on the hob.
2. Touch the extraction key and set an extractor speed level.



3. Touch the timer symbol.
 - ▷ The timer symbol of the extractor unit lights up brightly.

OPERATION OF THE EXTRACTOR UNIT

4. Use the '+' or '-' key to set the desired delay time.
 - ▷ Countdown starts automatically.
 - ▷ The extractor unit switches off after the time that has been set.



Saturation of the grease filter

After 30 operating hours, 'F' and 'G' will be shown alternately in the display of the extraction unit; it is necessary to perform maintenance of the grease filter (see 'Maintenance/Cleaning the filters'). The grease filter saturation indication is always enabled.

Saturation of the odour filter

By default the odour filter saturation indication is deactivated (when the extraction is operating in ducted mode). Activate the odour filter saturation indication if the extraction unit is installed as a recirculation application; see 'User menu'.

After 120 operating hours, 'F' and 'C' will be shown alternately in the display of the extraction unit; it is necessary to perform maintenance of the odour filter (see 'Maintenance').

- When a combination odour/fine dust filter is used, the filter must be replaced after 1 year at the latest.

Reset the memory of the filter saturation indication

Reset the memory after replacing the grease filter and/or the odour filter

1. Switch on the hob.
2. Touch and hold the extraction key for 3 seconds.
 - ▷ On the display of the extractor unit 'F' and 'G' or 'F' and 'C' will disappear and the memory starts counting over again.

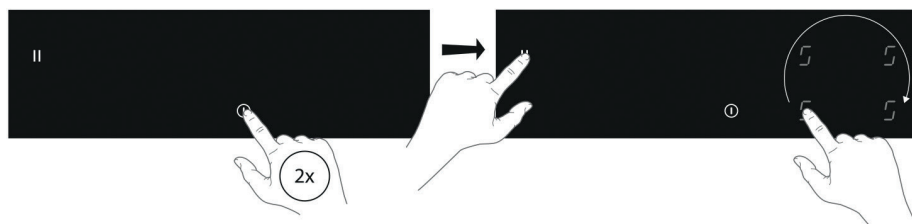
USER MENU

The user menu enables the user to set a.o. the signals on the hob as desired. This concerns both audio (tone and volume) and visual signals.

Menu code	Discription	Configuration value
U0	Total power available for the appliance	From 1400W to 7400W (default) in 100W steps
U1	Ducted mode / Recirculation mode	0: ducted mode (default) 1: recirculation mode
U2	Volume key sound	0 (off) - 1 - 2 - 3 max. (default)
U3	Volume alarm signal	0 (off) - 1 - 2 - 3 max. (default)
U4	Lighting level display	Max. 0 (default)- 1 - 2 - 3 - 4 - 5 - 6 - 7 - 8 - 9 Min.
U5	Countdown animation	0: off (default) 1: on
U6	Automatic pan detection	0: off 1: on (default)
U7	Audio signal countdown timer	0: audio signal during 120 seconds (default) 1: audio signal during 10 seconds 2: no audio signal

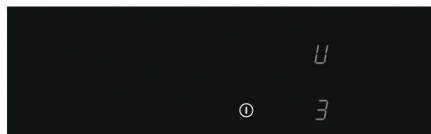
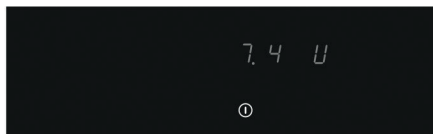
Open the user menu

1. Touch the on/off key twice within three seconds.
 - ▷ *The pause key is blinking.*
2. Touch and hold the pause key.
3. Then, touch each cooking zone key clockwise (start with the cooking zone key on the front left).



USER MENU

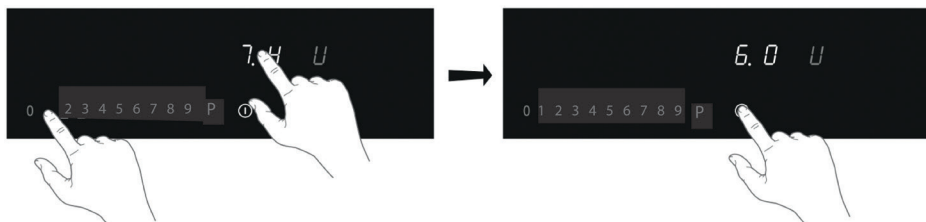
4. Release the pause key.
 - ▷ "U" is flashing alternately with number "0" on the cooking zone display on the rear left.
 - ▷ With menu code U0, the configuration value appears in the timer display.
 - ▷ For all other menu codes, the configuration value appears in the cooking zone display on the front left.



Menu code U0 (total maximum power)

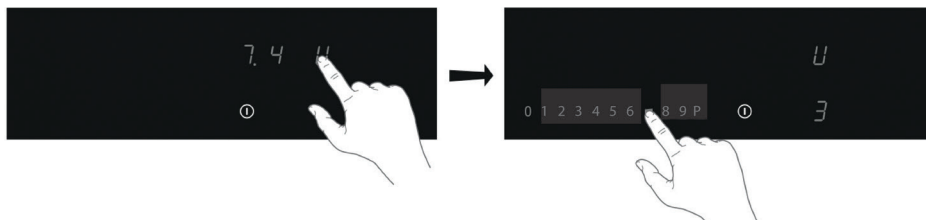
If the electric installation in your home has different current limits, maximum power consumption of the cooking hob can be reduced.

1. You have opened the user menu.
2. Touch the timer display once and use the left side of the slide control to decrease the power with 0,1kW per step. Use the right side of the slide control to increase the power with 0,1kW per step.
3. Confirm the setting; touch and hold the on/off key until you hear an audio signal.



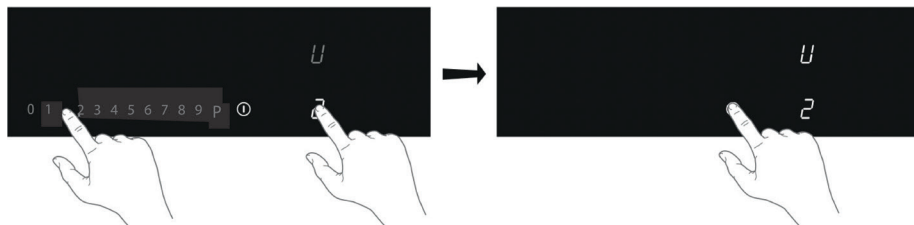
Menu code U1 - U7

1. You have opened the user menu.
2. Touch the cooking zone key on the rear left and choose the correct number of the menu code (see table).



USER MENU

3. Touch the cooking zone key on the front left and select the correct value (see table).
4. Confirm the setting; touch and hold the on/off key until you hear an audio signal.



POWER LIMITER



Setting the power limiter should only be carried out by a registered and qualified installer. Please read the safety regulations and the installation instructions carefully.

The hob is equipped with a power limiter. If the total power of operating cooking zones exceeds the maximum available amount of power, the power is automatically reduced. The display of the cooking zone who is being reduced in its power is first flashing; the level is then automatically reduced to the highest available power.

- The limiter is factory set at 7400W, but this setting can be changed up to 1400W in steps of 100W each..

Power limiter configuration

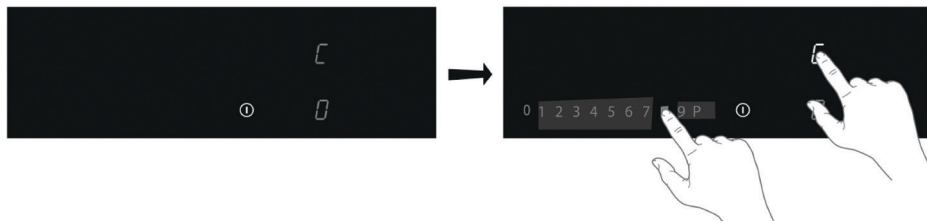
Make sure there are no pots or pans on the hob before you start!

1. Disconnect the appliance from the main power supply by removing the power connector from the socket, by removing the fuse or turning the circuit breaker off.
2. Reconnect the appliance to the power supply.
 - *The minute minder key is flashing.*
- **Perform, within 2 minutes after reconnecting the hob to the power supply, the following steps.**
- **Make sure all cooking zones are switched off.**
3. Touch and hold the minute minder key.
4. Then, touch each cooking zone key counterclockwise (start with the cooking zone key on the front right).

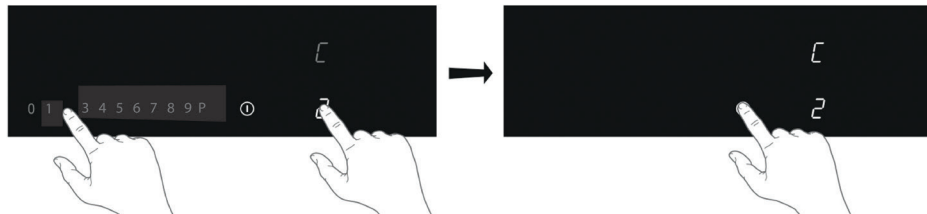


POWER LIMITER

5. Release the minute minder key.
 - ▷ "C" is flashing alternately with "0" on the cooking zone display on the rear left.
 - ▷ The configuration value appears in the cooking zone display on the front left.
6. Touch the cooking zone key on the rear left and choose "8" by using the slide control.
 - ▷ "C" is flashing alternately with "8" on the cooking zone display on the rear left.



7. Touch the cooking zone key on the front left and select the power limitation wanted with the slide control.
8. Then, touch and hold the On/off key until all the display segments disappear.
 - ▷ The hob is now ready for use with the selected power limiter active.



MAINTENANCE

Cleaning

First use

- Use a damp cloth to clean and dry the glass surface before using it for the first time.
- It is recommended to dry the appliance after having cleaned it with a damp cloth, in order to prevent the build-up of limescale.

Daily cleaning

- Although food spills cannot burn into the glass, we nevertheless recommend you to clean the hob immediately after use.
- Best for daily cleaning is a damp cloth with a mild cleaning agent.
- Dry with kitchen paper or a dry tea cloth.

Stubborn stains

- Stubborn stains can also be removed with a mild cleaning agent such as washing-up liquid.
- Remove watermarks and lime scale with vinegar.
- Metalmarks (caused by sliding pans) can be difficult to remove. Special agents are available.
- Use a glass scraper to remove food spills. Melted plastic and sugar is also best removed with a glass scraper.



Never use abrasives. They leave scratches in which dirt and lime scale can accumulate. Never use anything sharp such as steel wool or scourers.

Filters and collect tray

Grease filters

In the display of the extraction unit, 'F' and 'G' will be shown alternately after 30 operating hours of the extraction unit. The grease filters should now be cleaned.

These must be cleaned once a month (or when the filter saturation indication system indicates this necessity). Do not use aggressive cleaning agents and preferably clean the filter manually or in the dishwasher at a low temperature and with a short program. Place the filters with the opening downwards in the dishwasher so that the water can run out. The cleaning agents used in dishwashers make the aluminum dull faster. This is normal.

After the cleaning and replacing of the grease filters, reset the memory of the filter saturation indication.

MAINTENANCE

Recirculation filters - (only for filter version)

Filters can be restored in the oven, better if fan-assisted.

Temperature of the oven should be 150°-180°, higher temperatures could damage the filters. It is better to place the filter bricks on the oven's grid, non pre-heated, and let them cool down completely before removing.

The time needed to restore the filters is at least two hours or even more, depending on the cooking intensity.

Restoring should be done only in a well-ventilated place.

Do not wash the filters in the dishwasher.

Recirculation filters can be restored many times, but for a better efficiency we recommend to replace every 5 years.

TROUBLESHOOTING



Attention

If you see a crack in the glass top (however small), switch off the hob immediately and disconnect it from the power mains. Contact the service department.

If the appliance does not work properly, this does not always mean that it is defective. Try to deal with the problem yourself first by checking the table below. You can also take a look on our website for more information. If the problem continues, contact the service department.

Symptom	Possible cause	Solution
The display lights up when the hob is activated for the first time.	This is the standard set-up routine.	Normal operation.
The fan runs on for several minutes after the hob has been switched off.	The hob is cooling.	Normal operation.
A slight smell is noticeable the first few times the hob is used.	The new appliance is heating up.	This is normal and will disappear once it has been used a few times. Ventilate the kitchen.
The pans make a noise while cooking.	This is caused by the energy flowing from the hob to the saucepan.	At high levels this is perfectly normal for some pans. It will not damage either the pans or the hob.
You have switched on a cooking zone, but the display shows u .	The pan you are using is not suitable for induction cooking, or has a too small diameter.	Use a suitable pan.
A cooking zone suddenly stops working and you hear a signal.	The time that has been set for the timer has ended.	Touch the left or right timer key to stop the alarm.
The hob is not working and nothing appears in the display.	There is no power supply due to a defective cable or a faulty connection.	Check the fuses or the electric switch (if there is no plug).
A fuse blows as soon as the hob is switched on.	The hob has been wrongly connected.	Contact a professional installer.
L shows on the display.	Child safety lock is activated.	See chapter 'Operation of the hob/Child safety lock'.
Error code ER 03 .	You have pressed two or more keys at the same time.	Do not operate more than one key at the same time.
	The control panel is dirty or has water lying on it.	Clean the control panel.

TROUBLESHOOTING

Symptom	Possible cause	Solution
Error code ER21 .	Overheating.	Let the hob cool down.
Error code E2 .	Excess temperature of the induction element. Empty cookware might have been used.	Do not heat empty cookware.
Error code E3 .	Wrong pan.	Use appropriate pans.
Error code E8 .	Malfunction of the extractor unit. The extractor unit may be blocked.	Remove any blockages and clean the extractor unit.
Other error codes.		Contact the service department.

Achtung

Es ist sehr wichtig, dass diese Anleitung zusammen mit der *centrale ob*, zum späteren Nachschlagen, aufbewahrt wird. Sollte das Gerät verkauft oder an eine andere Person weitergegeben werden, ist sicherzustellen, dass auch das Handbuch mit ausgehändigt wird, so dass der neue Benutzer über die Funktionsweise des Geräts und die entsprechenden Vorsichtsmaßnahmen informiert ist. Diese Anweisungen wurden für Ihre Sicherheit und die der anderen Personen erstellt. Wir bitten Sie deshalb, diese vor dem Einbau und der Benutzung des Geräts aufmerksam durchzulesen. Beachten Sie bitte auch die Abbildungen auf den ersten Seiten, die über Buchstaben und Nummern verfügen, auf die in den Beschreibungen Bezug genommen wird. Halten Sie sich strengstens an die in diesem Handbuch enthaltenen Anweisungen. Für Störungen, Schäden oder vom Gerät ausgelöste Brände, die durch die Nichteinhaltung der in diesem Handbuch aufgeführten Anweisungen verursacht wurden, wird keine Haftung übernommen. Der Einbau und der elektrische Anschluss muss von einem Fachtechniker vorgenommen werden. Die Lieferfirma haftet nicht für Schäden, die durch einen falschen Einbau oder die falsche Benutzung des Geräts verursacht wurden. Die Merkmale dieses Gerät nicht ändern oder versuchen sie zu ändern.

Die Kochfläche muss immer innerhalb der Grenzen einer normalen Benutzung im Haushalt zur Zubereitung oder zum Warmhalten von Speisen und nicht für gewerbliche Zwecke verwendet werden. Eine davon abweichende Verwendung ist nicht gestattet. Während seiner Verwendung darf das Gerät nicht unbeaufsichtigt gelassen werden.

Das vorliegende Gerät darf von Kindern ab 8 Jahren und von Personen mit eingeschränkten körperlichen, sensorischen oder geistigen Kapazitäten bzw. von Personen ohne Erfahrung und Kenntnisse verwendet werden, unter der Voraussetzung, dass diese dabei beaufsichtigt werden bzw. dass ihnen die Verwendung des Geräts erklärt wurde und sie sich der damit verbundenen Gefahren bewusst sind.

Kinder dürfen nicht mit dem Gerät spielen.

Die Blockierungsvorrichtung der Bedienelemente benutzen, um zu verhindern, dass Kinder das Gerät versehentlich einschalten oder die Funktionen ändern können. Während des Betriebs darf das Geräts niemals unbeaufsichtigt gelassen werden.

Die Kochfläche nicht mit einem externen Timer bedienen.

Während des Betriebs darf das Gerät nicht unbeaufsichtigt gelassen werden.

Die Reinigung und Wartung darf nicht von unbeaufsichtigten Kindern durchgeführt werden.

Wenn das Stromkabel beschädigt ist, darf es ausschließlich von einem Kundendienstzentrum oder einem Fachmann ausgetauscht werden.

VORSICHT: Die Schutzvorrichtungen des Kochfelds dürfen nur die vom Hersteller des Kochgerätes entwickelten, oder die in den Herstelleranweisungen als für den Gebrauch geeignet angegeben, oder die in das Gerät eingebauten Schutzvorrichtungen des Kochfelds sein. Der falsche Einsatz der Schutzvorrichtungen kann zu Unfällen führen.

Während der Installation muss das Gerät an eine Versorgung angeschlossen sein, dessen Systemimpedanz an einen Wert von $0,005+j0,005[\text{Ohm}]$ angepasst werden muss.

Sicherstellen, dass eventuell in der Wohnung anwesende Kinder nicht die Möglichkeit haben, heiße Töpfe und Pfannen umzuwerfen. Die Griffe der Töpfe und Pfannen zur Seite in Richtung Arbeitsfläche drehen, so dass sie sich über der Arbeitsfläche befinden, damit einer Verbrennungsgefahr vorgebeugt wird.

Aus Sicherheitsgründen darf die Kochfläche erst nach ihrem Einbau benutzt werden.

Keine Silikondichtungen zwischen dem Glas und der Arbeitsfläche anbringen, bei einem Austausch der Kochfläche könnte es während des Entfernens zu einem Bruch des Glases kommen.

Vor dem Einbau prüfen, ob die Kochfläche sichtbare Schäden aufweist. Niemals eine beschädigtes Gerät in Funktion setzen. Das kann sehr gefährlich für die Sicherheit sein.

Der Einbau und der Anschluss des Geräts an das Stromnetz darf ausschließlich von Fachleuten durchgeführt werden. Die elektrische Sicherheit ist nur dann gewährleistet, wenn die Kochfläche an eine ordnungsgemäße Erdverbindung angeschlossen wurde. Im Zweifelsfall die Elektroanlage durch einen qualifizierten Elektriker prüfen lassen. Die Kochfläche nicht über Verlängerungen oder Mehrfachsteckdosen mit dem Stromnetz verbinden. Diese garantieren nicht die notwendige Sicherheit (zum Beispiel Überhitzungsgefahr). Vor dem Anschluss der Kochfläche muss man die Anschlussdaten (Spannung und Frequenz) des Typenschildes mit denen des Stromnetzes vergleichen. Diese Daten müssen unbedingt übereinstimmen, da das Gerät sonst beschädigt würde. Sich im Zweifelsfall an einen Elektriker wenden.

Vor dem Einbau und der Wartung, sowie vor Reparaturen, die Verbindung des Geräts ans Stromnetz unterbrechen.

Alle Vorschriften zum Ablassen der Luft müssen eingehalten werden.

Achtung: Wenn die Flächen Risse aufweisen, das Gerät ausschalten, um eine Stromschlaggefahr zu vermeiden.

Niemals das Gehäuse des Geräts öffnen. Der eventuelle Kontakt mit unter Spannung stehenden Teilen oder die Änderung der elektrischen oder mechanischen Strukturen kann Funktionsstörungen verursachen.

Die Induktionsfläche darf nicht als Arbeitsebene benutzt werden. Die rauen Böden des Kochgeschirrs können die Kochfläche verkratzen.

Die Kochfelder und die Böden des Kochgeschirrs müssen immer ganz trocken sein.

Brandgefahr

Zu heißes Öl und Fett brennen sehr schnell.

Niemals heißes Öl oder Fett unbeaufsichtigt lassen.

Sollte das Öl oder Fett brennen, auf keinen Fall versuchen die Flammen mit Wasser zu löschen, sondern dafür einen Deckel oder einen Teller, mit nicht brennbarer Beschichtung, benutzen. Niemals brennbare Gegenstände auf die Kochfläche stellen.

ACHTUNG Brandgefahr: Keine Gegenstände auf der Kochfläche stehen lassen.

Verbrennungsgefahr

ACHTUNG: Dieses Gerät und seine erreichbaren Teile werden während des Betriebs sehr heiß.

Vorsichtig vorgehen und die heißen Elemente nicht berühren.

Unbeaufsichtigten Kinder unter 8 Jahren darf es nicht gestattet werden, sich an das Gerät anzunähern.

Keine Gegenstände, wie Messer, Gabeln, Löffel oder Deckel auf die Induktionsfläche legen, da sie heiß werden können.

Kein geschlossenes Kochgeschirr, wie zum Beispiel Blechkochgeschirr, auf der Kochfläche erwärmen. Durch den entstehenden Überdruck könnte das Kochgeschirr platzen.

Geeignetes Kochgeschirr

Ausschließlich eisenmagnetisches Kochgeschirr kann zum Induktionskochen verwendet werden. Besonders gut eignet sich: Emaillierter Stahl, Gusseisen bzw. Sonderkochgeschirr zum Induktionskochen aus Edelstahl. Nur Töpfe und Pfannen mit einem glatten Boden verwenden. Zwischen dem Topfboden und der Glaskeramikfläche keine Gegenstände, wie zum Beispiel Adapter, stellen.

Kochfeld	Mindestdurchmesser
OCTA (single)	110mm
OCTA (bridged mode)	230 mm

Es gibt auch besonderes Induktionskochgeschirr, dessen Boden nicht vollständig eisenmagnetisch ist.

Nicht geeignetes Kochgeschirr

Auf keinen Fall Kochgeschirr aus normalem Feinstahl, Glas, Tonerde, Kupfer und Aluminium benutzen. Keine leeren Behälter auf die Kochfläche stellen. Das könnte Schäden verursachen.

Keine heißen Behälter auf die Bedienfläche, das Kontrolllampenfeld oder den Kochflächenrahmen stellen. Das könnte Schäden verursachen.

Gefahr von Störungen

Töpfe aus denen die Flüssigkeit vollkommen verdampft ist, können Schäden an der Glaskeramikfläche verursachen. Für diese Art von Schäden übernimmt der Hersteller keine Haftung.

Das Gerät ist mit einem Kühlgebläse ausgestattet. Wenn sich unter der eingebauten Kochfläche eine Schublade befindet, muss zwischen dem Schubladeninhalt und der unteren Geräteseite ein geeigneter Abstand vorhanden sein, damit die Belüftung nicht beeinträchtigt wird. In der Schublade unter der Kochfläche sollten keine kleine Teile oder Papierblätter aufbewahrt werden, da diese angesaugt werden und das Gebläse beschädigen könnten, so dass die Kühlung des Geräts nicht mehr gewährleistet ist. Die Schublade darf auch keine brennbaren oder metallischen Teile enthalten, die glühen oder sich entzünden können.

Die Arbeitsfläche muss eben und horizontal sein. Der Zuschnitt des Möbelstücks muss vor der Installation des Gerätes ausgeführt werden. Die Späne entfernen, um die Funktionstüchtigkeit der Elektrokomponenten nicht zu beeinträchtigen.

Wenn die Kochfläche in einen Schrank eingebaut ist, darf sie nur bei geöffnetem Schrank in Funktion gesetzt werden. Den Schrank erst dann schließen, wenn das Gerät und die Kontrolllampen der Restwärme ausgeschaltet sind.

Wenn das Gerät über einem Backofen bzw. über einem elektrischen Backofen mit Pyrolysesystem eingebaut wird, darf es so lange das Pyrolyseverfahren läuft, nicht in Funktion gesetzt werden, da sonst der Überhitzungsschutz der Kochfläche ausgelöst werden könnte.

Keine Dampfgeräte benutzen, da der Dampf die unter Spannung stehenden Teile erreichen und einen Kurzschluss verursachen könnte.

Die Kochfläche darf nicht über der Spülmaschine montiert werden, da der Dampf der Spülmaschine den Elektrokreislauf der Kochfläche beschädigen könnte.

Eventuelle Eingriffe oder Reparaturen am Gerät während der Garantiezeit dürfen ausschließlich vom technischen Vertragskundendienst des Herstellers durchgeführt werden. Die Nichteinhaltung dieser Vorschrift bewirkt die Ungültigkeit und den unverzüglichen Verfall der Garantie. Für eventuelle dadurch verursachte Folgeschäden übernimmt der Hersteller keine Haftung. Eventuell nicht funktionierende oder defekte Teile müssen durch Originalersatzteile ersetzt werden. Nur diese können die Einhaltung des Sicherheitsstandards gewährleisten.

Wichtiger Hinweis für Personen mit einem Schrittmacher: Beachten Sie bitte, dass in unmittelbarer Nähe des Geräts ein elektromagnetisches Feld erzeugt wird. Die Wahrscheinlichkeit, dass der Schrittmacher durch dieses Feld gestört wird, ist sehr gering. Wenden Sie sich bitte im Zweifelsfall an den Hersteller des Schrittmachers oder an Ihren Arzt.

Hinweis: keine Flüssigkeit in den Ansaugschlitz der Haube gießen.

Hinweis: es wird empfohlen, alle Verbindungsstellen der Rohrleitungen mit Silikon oder Klebeband abzudichten, sowohl die Rohre für den Abzug, als auch die Verbindungsrohre der unterschiedlichen Bauteile.

Achten Sie beim Einbau im Filtermodus besonders auf die Positionierung des Rauchabzugsbereichs, um mögliche Turbulenzen zu vermeiden, so dass diese weder mit dem Abzug, noch mit dem Kochfeld interferieren.

Positionieren Sie beim Einbau im Filtermodus die Rohre innerhalb des Sockels des Möbelstücks so, dass die Luft über ein entsprechendes Gitter nach außen gelangen kann, um eine übermäßige Feuchtigkeitsansammlung im Inneren zu vermeiden.

Die Flüssigkeits-Sammelwanne muss regelmäßig ausgeleert werden. Diese Wanne kann etwa 0,7 Liter Wasser aufnehmen. Sollte Flüssigkeit austreten oder auf das Gerät fallen, muss das Gerät umgehend abgeschaltet und die Wanne geleert werden. Wenn die Flüssigkeitsmenge, die auf die Kochfläche fällt, größer ist als die Menge, die die Wanne enthalten kann, muss das Gerät abgeschaltet und umgehend der Kundendienst kontaktiert werden.

Schalten Sie das Kochfeld nach Gebrauch durch den Regler aus und verlassen Sie sich nicht auf den Kochtopfsensor.

Geräusche

Die Induktion kann leichte Geräusche verursachen. Diese sind je nach Art des Materials, des Topfes und der gewählten Leistung unterschiedlich. Wenn die Kochfläche häufig benutzt wird, schaltet sich zum Schutz der Elektronik das Gebläse ein und man hört ein leichtes Summen. Das ist ganz normal.

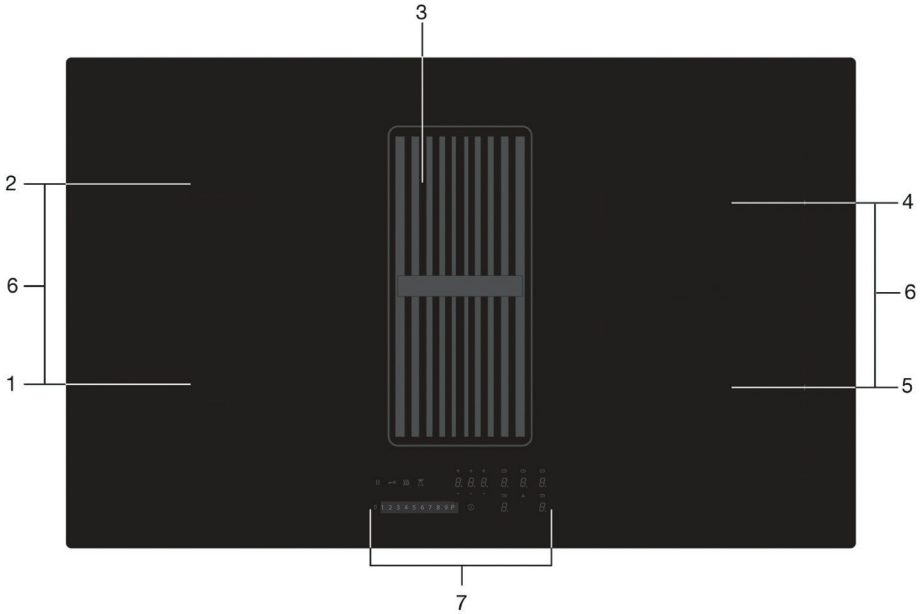
Erste Verwendung

Die Kochfläche vor der ersten Verwendung mit einem feuchten Lappen abwischen und dann abtrocknen.

Es wird empfohlen das Gerät nach der Säuberung mit einem feuchten Lappen zu Trocknen, damit keine Kalkablagerungen zurückbleiben.

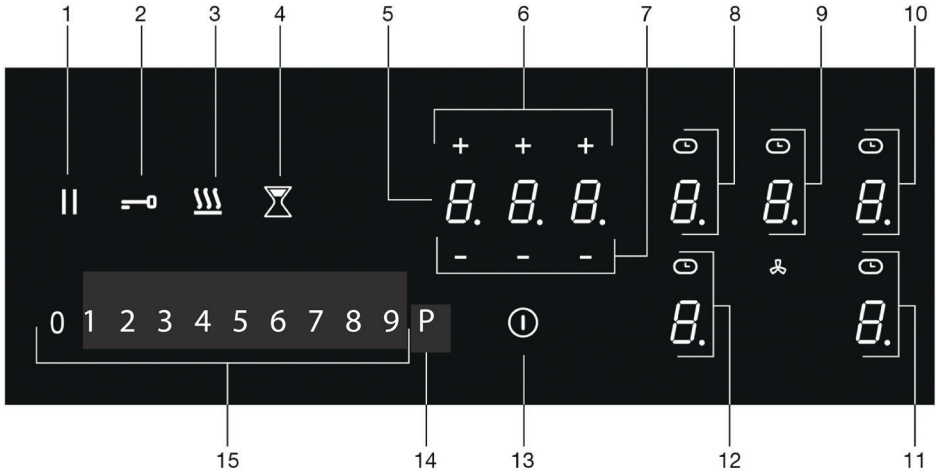
Wenn das Gerät das erste Mal eingeschaltet wird, entsteht etwas Geruch oder Dampf. Während der Verwendung wird der Geruch immer geringer und verschwindet dann ganz. Der Geruch oder der Dampf sind kein Zeichen für einen falschen Anschluss oder eventuelle Schäden am Gerät und sind nicht gesundheitsschädlich.

IHR INDUKTIONSKOCHFELD

Beschreibung

1. Vordere linke Kochzone 210 x 190 mm / 2,1 kW (Boost-Funktion 3,0 kW)
2. Hintere linke Kochzone 210 x 190 mm / 2,1 kW (Boost-Funktion 3,0 kW)
3. Extraktor
4. Hintere rechte Kochzone 210 x 190 mm / 2,1 kW (Boost-Funktion 3,0 kW)
5. Vordere rechte Kochzone 210 x 190 mm / 2,1 kW (Boost-Funktion 3,0 kW)
6. Überbrückte Kochzonen 21 x 39 cm / 3,7 kW
7. Bedienfeld











IHR INDUKTIONSKOCHFELD






Beschreibung



1. Pause-Taste
2. Tastensperre
3. Warmhalte-Funktion
4. Minutenzähler-Taste
5. Timer-Anzeige
6. Plus-Taste Timer
7. Minus-Taste Timer
8. Taste für hintere linke Kochzone (Kochzonenanzeige) und Timer-Symbol
9. Taste für den Dunstabzug (Anzeige Dunstabzug) und Timer-Symbol
10. Taste für die hintere rechte Kochzone (Kochzonenanzeige) und Timer-Symbol
11. Taste für die vordere rechte Kochzone (Kochzonenanzeige) und Timer-Symbol
12. Taste für die vordere linke Kochzone (Kochzonenanzeige) und Timer-Symbol
13. Ein/Aus-Taste
14. Boost-Taste
15. Schieberegler (von Position 0 bis Position 9) für:
 - ▷ Einstellung eines Wertes (Leistungsstufe/Abzugsgeschwindigkeit/Minuten)

IHR INDUKTIONSKOCHFELD

Anzeigen am Display

Anzeige der Kochzone	Beschreibung
	Leistungsstufe; 1 = niedrige Stufe / 9 = hohe Stufe.
	Boost-Funktion aktiv.
	Kein (geeigneter) Topf auf der Kochzone (Symbol Topferkennung).
 	Restwärmeanzeige; Das Kochfeld verfügt über eine Restwärmeanzeige für jede Kochzone, die anzeigt, welche Kochzonen noch heiß sind. Obwohl das Kochfeld ausgeschaltet ist, leuchtet die Anzeige „H“, solange die Kochzone heiß ist. Ist diese Anzeige aktiv, muss eine Berührung vermieden werden. Gefahr! Verbrennungsgefahr.
	Kindersicherung aktiv.
	Automatische Aufheizfunktion aktiv.
	Warmhaltefunktion aktiv.
	Pausenfunktion aktiv.
	Brückeninduktionszone aktiv.
	Timer aktiv.

Anzeige Dunstabzug	Beschreibung
	Stufe der Absauggeschwindigkeit: 1 = niedrige Stufe / 9 = hohe Stufe.
	Boost-Funktion aktiv.
	„FG“: Anzeige der Sättigung des Fettfilters.
	„FC“: Anzeige der Sättigung des Geruchsfilters.
	Timer aktiv.

Timer-Anzeige	Beschreibung
	Der Timer wurde nicht eingestellt.
	Der Timer ist eingestellt (25 Minuten).

IHR INDUKTIONSKOCHFELD



Lesen Sie vor dem Gebrauch die separaten Sicherheitshinweise.

Temperatursicherheit

Ein Sensor misst kontinuierlich die Temperatur bestimmter Teile des Kochfeldes. Jedes Kochzone ist mit einem Sensor ausgestattet, der die Temperatur des Topfbodens misst, um das Risiko einer Überhitzung zu vermeiden, wenn ein leerer Topf auf dem Feld steht. Wenn die Temperatur zu hoch ansteigt, wird die Kochstufe automatisch reduziert oder das Kochfeld schaltet sich automatisch aus.

Betriebszeitbegrenzung



Der Betriebszeitbegrenzer ist eine Sicherheitsfunktion Ihres Gerätes. Er wird aktiviert, wenn Sie vergessen, das Kochfeld auszuschalten. Je nach der von Ihnen gewählten Leistungsstufe ist die Betriebszeit wie folgt begrenzt:

Leistungsstufe	Maximale Betriebszeit (in Stunden, Minuten)
1	8 Stunden, 36 Min.
2	6 Stunden, 42 Min.
3	5 Stunden, 18 Min.
4	4 Stunden, 18 Min.
5	3 Stunden, 30 Min.
6	2 Stunden, 18 Min.
7	2 Stunden, 18 Min.
8	1 Stunde, 48 Min.
9	1 Stunde, 30 Min.
P (Boot-Funktion)	5 Min (schaltet dann zurück auf Stufe 9)

Leistungsregelung

Zwei gegenüberliegende Kochzonen beeinflussen sich gegenseitig. Wenn diese beiden Kochzonen gleichzeitig eingeschaltet sind, wird die Leistung automatisch zwischen ihnen aufgeteilt. Wenn die Boost-Funktion gewählt ist, wird die andere Kochzone auf eine etwas niedrigere Stufe eingestellt. Wenn eine Kochzone auf Boost eingestellt ist und Sie die andere Kochzone auf die Einstellung 9 stellen möchten, wird die Kochzone mit Boost automatisch auf eine niedrigere Einstellung umgestellt. Die automatische Aufheizfunktion ist deaktiviert.

IHR INDUKTIONSKOCHFELD

Verwendung der Touch-Tasten und des Schiebereglers

Zur optimalen Bedienung die Fingerspitze flach auf eine Taste oder den Schieberegler legen. Sie müssen keinen Druck ausüben. Die Touch-Tasten reagieren nur auf den leichten Druck einer Fingerspitze.

Betätigen Sie die Bedienelemente nicht mit anderen Gegenständen.

Induktionsgeräusche

Ein tickendes Geräusch

Dies wird durch den Kapazitätsbegrenzer in der linken und rechten Zone verursacht. Ticken kann auch bei niedrigeren Kochstufen auftreten.

Die Töpfe machen Lärm

Töpfe können beim Kochen Geräusche verursachen. Dies wird durch die Energie verursacht, die vom Kochfeld an den Kochtopf abgegeben wird. Bei hohen Kochstufen ist dies bei einigen Töpfen völlig normal. Dadurch werden weder die Töpfe noch das Kochfeld beschädigt.

Der Lüfter macht Geräusche

Um die Lebensdauer der Elektronik zu verlängern, ist das Gerät mit einem Gebläse ausgestattet. Wenn Sie das Gerät intensiv nutzen, wird das Gebläse aktiviert, um das Gerät abzukühlen, und Sie hören ein summendes Geräusch. Das Gebläse läuft nach dem Ausschalten des Kochfeldes noch einige Minuten weiter.

Geeignete Töpfe

Für das Induktionskochen ist ein Topf mit einem dicken flachen Boden (mindestens 2,25 mm) erforderlich. Verwenden Sie Töpfe aus magnetischem Material oder Töpfe mit einem Sandwichboden. Töpfe aus Kupfer, Aluminium oder keramischem Material sind nicht geeignet.



Verwenden Sie nur Töpfe mit flachem Boden. Ein hohler oder abgerundeter Boden kann den Betrieb des Leerkochschutzes beeinträchtigen, wodurch das Gerät zu heiß wird. Dies kann zu Schäden führen. Schäden, die durch die Verwendung ungeeigneter oder leer erhitzter Töpfe entstehen, sind von der Garantie ausgeschlossen.



Töpfe, die auf einem Gaskochfeld benutzt werden, können nicht auf einem Induktionskochfeld verwendet werden.



Vorsicht bei dünnen emaillierten Stahlblechtöpfen! Das Emaille kann bei hohen Stufen beschädigt werden, wenn der Topf zu trocken ist. Eine hohe Leistungsstufe kann die Unterseite des Topfes verziehen.

VOR DER ERSTEN BENUTZUNG



Achtung

Vergewissern Sie sich, dass der Boden des Topfes und die Oberfläche der Kochzone sauber und trocken sind. Wir empfehlen, Töpfe hochzuheben und nicht über die Kochzone zu schieben.

Topferkennung

- Wenn das Kochfeld keinen (geeigneten) Topf erkennt, nachdem ein Topf auf eine Kochzone gestellt wurde, blinkt das Symbol für die Topferkennung auf der Anzeige. Nach 20 Sekunden schaltet sich die Kochzone aus.
- Wenn Sie während des Kochens einen Topf von der Kochzone nehmen, wird das Symbol für die Topferkennung angezeigt. Die Kochzone schaltet sich aus. Das Symbol wird deaktiviert, wenn Sie den Topf zurückstellen.
Die Kochzone schaltet sich wieder mit der zuvor eingestellten Leistungsstufe ein.
- Die automatische Topferkennung (einstellbar: standardmäßig aktiv) erkennt automatisch einen Topf, der auf eine Kochzone gestellt wird. Die Anzeige dieser Kochzone leuchtet intensiver.

Kochstufen

Die Kochzonen haben 9 Stufen und eine "Boost"-Stufe (P). Stellen Sie die Kochstufe durch Berühren und Bewegen des Schiebereglers ein. Durch Verstellen des Schiebereglers wird die Gareinstellung geändert. Wenn Sie ihn nach rechts bewegen, wird die Stufe erhöht und wenn Sie ihn nach links bewegen, wird die Stufe verringert. Wenn Sie den Finger vom Schieberegler wegnehmen, beginnt der Betrieb der Kochzone auf der eingestellten Stufe.

Boost-Funktion

- Mit der „Boost“-Funktion können Sie während eines kurzen Zeitraums (max. 5 Minuten) auf der höchsten Kochstufe garen. Nach Ablauf der maximalen Boostzeit wird die Leistung auf die Einstellung 9 reduziert.

VOR DER ERSTEN BENUTZUNG

Leitlinien für das Kochen

Da die Stufen von der Menge und der Zusammensetzung des Inhalts der Pfanne abhängen, dient die nachstehende Tabelle nur als Richtwert.

Verwenden Sie die Stufe „Boost“, um:

- Lebensmittel oder Flüssigkeit schnell zum Kochen zu bringen
- Gemüse zu „schrumpfen“
- Öl und Fett zu erhitzen
- Wok.

Verwenden Sie Stufe 9, um:

- Fleisch anzubraten
- Fisch zu kochen
- Omeletts zu kochen
- Gekochte Kartoffeln zu braten
- Lebensmittel zu frittieren.

Verwenden Sie die Stufen 7 und 8, um:

- Dicke Pfannkuchen zu braten und Arme Ritter zu machen
- Dicke panierte Fleischscheiben zu braten
- Panierten Fisch zu braten
- Speck (Fett) zu braten
- Rohe Kartoffeln zu kochen
- Nudeln gar zu kochen
- Dünne (panierte) Fleischscheiben zu braten.

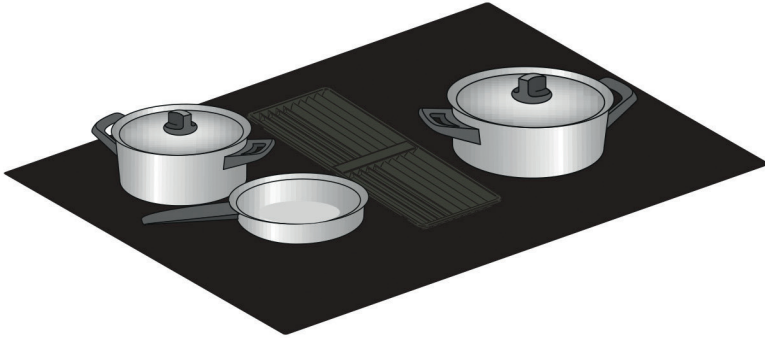
Verwenden Sie Stufe 4-6, um:

- Große Mengen fertig zu garen
- Hartes Gemüse aufzutauen
- Dicke panierte Fleischscheiben zu braten.

Verwenden Sie die Stufen 1-3, um:

- Fleischbrühe zu kochen
- Fleisch zu schmoren
- Gemüse zu garen
- Schokolade zu schmelzen
- Zu pochieren
- Käse zu schmelzen.

VOR DER ERSTEN BENUTZUNG

Nutzung des Downdraft-Dunstabzugs

- ▷ Platzieren Sie den Deckel schräg auf dem Topf, so dass die Öffnung zur Abzugsseite zeigt. Dies gewährleistet einen maximalen Dunstabzug.



BETRIEB DES KOCHFELDES

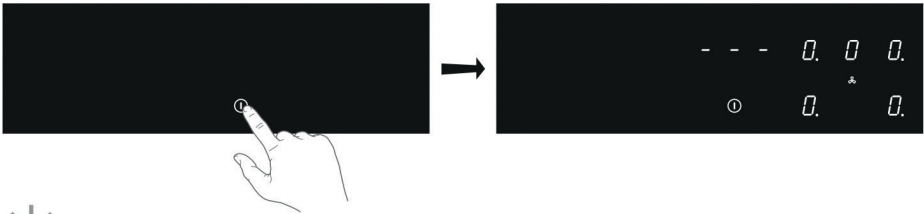


Bitte lesen Sie das Kapitel „Vor der ersten Inbetriebnahme“ sehr sorgfältig, bevor Sie mit dem Kochen beginnen.

Dies verhindert eine falsche Verwendung des Kochfeldes.

Den Kochvorgang starten

- Halten Sie die Ein/Aus-Taste gedrückt, bis Sie ein akustisches Signal wahrnehmen.
 - Alle Anzeigen leuchten auf; das Induktionskochfeld befindet sich im Standby-Modus.
 - Die Kochzonen und der Dunstabzug sind auf Leistungsstufe Null.



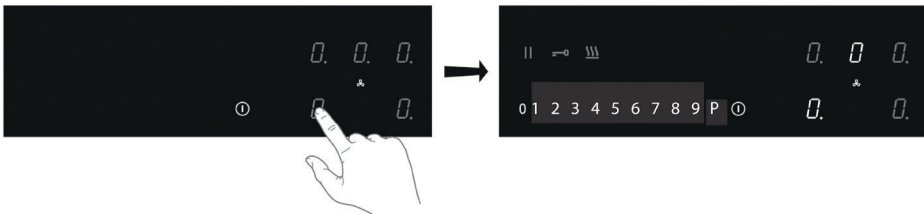
Wenn das Kochfeld 20 Sekunden lang nicht benutzt wird, schaltet es sich automatisch ab.

- Stellen Sie einen geeigneten Topf auf die Kochstelle.
 - Das Kochfeld erkennt automatisch den Topf; die Anzeige dieser Kochzone leuchtet stärker auf.



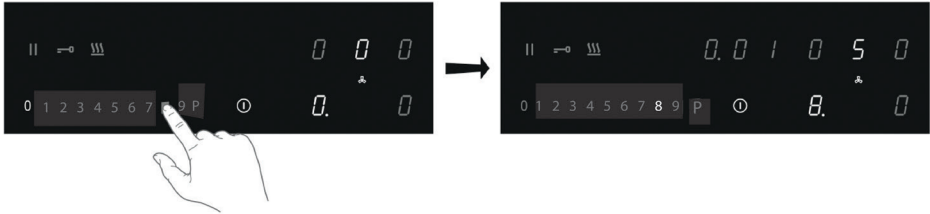
Solange die Anzeige der Kochzone hell leuchtet, ist die Kochzone ausgewählt und die Leistungsstufe kann eingestellt werden.

- Nach Ablauf der Ansprechzeit oder während des Kochens können Sie die Kochzone durch manuelle Auswahl der Anzeige der gewünschten Kochzone aktivieren.



BETRIEB DES KOCHFELDES

4. Stellen Sie innerhalb von 10 Sekunden durch Berühren des Schiebereglers die Leistungsstufe ein.
 - ▷ Die Kochzone wird auf der eingestellten Stufe aktiviert.



Boost-Funktion

Mit der Boost-Funktion können Sie bis zu max. 5 Minuten auf der höchsten Kochstufe garen. Sie können die Boost-Funktion für maximal zwei Kochzonen nebeneinander zur gleichen Zeit nutzen.

1. Berühren Sie die Leistungsstufe P, um die Boost-Funktion auszuwählen.
 - ▷ Auf dem Display wird „P“ angezeigt.
 - ▷ Nach der maximalen Boostzeit wird die Leistung auf Leistungsstufe 9 reduziert.

Symbol für Topferkennung

Wenn das Symbol für die Topferkennung auf dem Display erscheint:



- wurde ein Topf nicht auf die richtige Kochzone gestellt
- ist der verwendete Topf nicht für das Induktionskochen geeignet
- ist der Topf zu klein oder nicht richtig auf der Kochzone zentriert.
 - ▷ Die Kochzone funktioniert nur dann, wenn sich ein geeignetes Kochgeschirr darauf befindet.

BETRIEB DES KOCHFELDES

Den Kochvorgang beenden

1. Stellen Sie die Leistungsstufe auf „0“, um die Kochzone auszuschalten.
2. Schalten Sie das Induktionskochfeld aus, indem Sie die Taste On/Off berühren.



Das Symbol **H** erscheint am Display der Kochzone, die zu heiß zum Berühren ist. Das Symbol verschwindet, wenn die Oberfläche auf eine sichere Temperatur abgekühlt ist. Sie kann auch als Energiesparfunktion genutzt werden; wenn Sie andere Töpfe erhitzen wollen, verwenden Sie die noch heiße Kochzone.

Einschalten der automatischen Aufheizfunktion

Mit dieser Funktion wird die Kochzone auf die höchste Stufe gestellt, um das Kochgeschirr schnell auf die gewünschte Temperatur zu bringen. Nach einem bestimmten Zeitintervall kehrt die Leistungsstufe auf den festgelegten Wert zurück. Diese Funktion ist für die Leistungsstufen 1 bis 8 verfügbar.

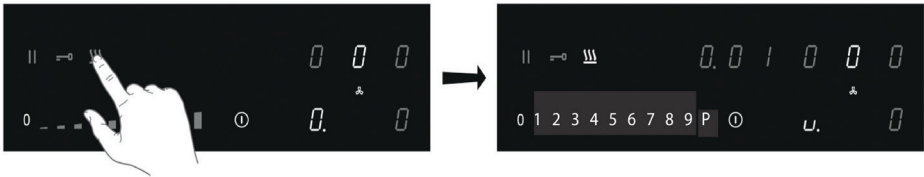
Leistungsstufe	Aufheizzeit (Sekunden)
1	48
2	144
3	230
4	312
5	408
6	120
7	168
8	216

1. Schalten Sie das Kochfeld ein und wählen Sie die gewünschte Kochzone.
2. Berühren Sie den Schieberegler und halten Sie ihn mindestens 3 Sekunden lang auf der gewünschten Stufe (von 1 bis 8) gedrückt.
 - ▷ In der Anzeige erscheint ein „A“ abwechselnd mit der gewählten Leistungsstufe. Wenn die automatische Aufheizzeit abgelaufen ist, schaltet die Kochzone automatisch auf die gewählte Stufe um, die permanent auf dem Display angezeigt wird.
3. Um die automatische Aufheizfunktion zu stoppen, wählen Sie die Kochzone und berühren Sie den Schieberegler.

BETRIEB DES KOCHFELDES

Einschalten der Warmhaltefunktion

1. Schalten Sie das Kochfeld ein und stellen Sie einen geeigneten Topf auf eine Kochzone.
2. Berühren Sie die Kochzonentaste der gewünschten Kochzone.
 - ▷ Die „0“ der gewählten Kochzone leuchtet deutlich auf und ein einzelner Piepton ertönt.
3. Berühren Sie die Taste Warmhalten.
 - ▷ Auf dem Display erscheint das Warmhaltesymbol „u“. Die Warmhaltefunktion ist aktiviert.



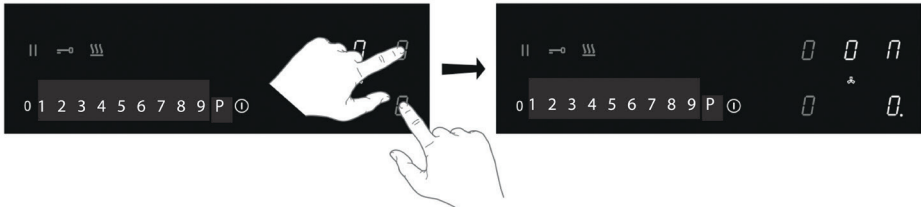
4. Stellen Sie die Leistungsstufe auf „0“ oder berühren Sie die Warmhaltetaste, um die Warmhaltefunktion auszuschalten.

Aktivierung der Brückeninduktionszone

Zwei Induktionskochzonen können zusammengeschaltet werden. So entsteht eine große Zone, die zum Beispiel mit einer Grillplatte oder einer Fischpfanne auf der gleichen Leistungsstufe genutzt werden kann. Der Topf muss so groß sein, dass er die Mitte der vorderen und hinteren Brückeninduktionszone abdeckt (mindestens 22 cm).

Aktivierung von Brückeninduktionszonen

1. Schalten Sie das Kochfeld ein.
2. Berühren Sie gleichzeitig die Tasten der rechten Kochzone.
 - ▷ Auf dem Display der hinteren Kochzone erscheint ein Verbindungssymbol, um anzuzeigen, dass die beiden Kochzonen miteinander verbunden sind.

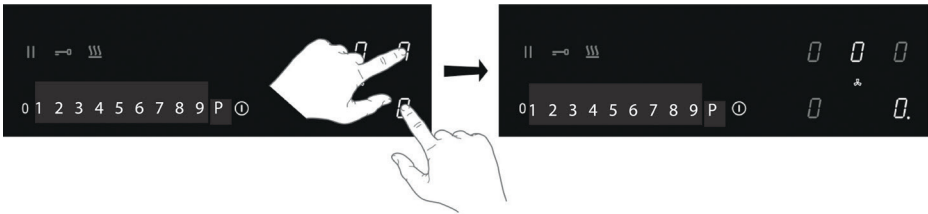


3. Stellen Sie die Leistungsstufe durch Berühren des Schiebereglers ein.
 - ▷ Das Display der vorderen Kochzone zeigt die Leistungsstufe an.

BETRIEB DES KOCHFELDES

Deaktivierung von Brückeninduktionszonen

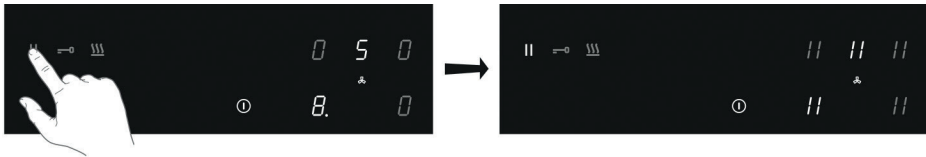
- Berühren Sie gleichzeitig die Kochzonentasten der überbrückten Kochzonen.
 - Das Verbindungssymbol auf der Anzeige der hinteren Kochzone wird deaktiviert.



Garvorgang pausieren

Diese Funktion unterbricht den Garvorgang vorübergehend (max. 10 Minuten); der Abzug wird auf die niedrigste Stufe gestellt und die Timer werden angehalten.

- Berühren Sie die Pausentaste.
 - Auf allen Displays erscheint das Pausensymbol.



- Um den Garvorgang fortzusetzen, berühren Sie die Pausentaste mindestens 1 Sekunde lang, bis sie blinkt.
- Berühren Sie innerhalb von 10 Sekunden eine andere Taste, wird der Garvorgang fortgesetzt.
 - Die Kochzone schaltet sich nach 10 Minuten automatisch aus, wenn die Pausenfunktion in der Zwischenzeit nicht ausgeschaltet wird.

Recall-Funktion

Wenn das Kochzone versehentlich mit der Ein/Aus-Taste ausgeschaltet wurde, können alle Einstellungen mit der Recall-Funktion wiederhergestellt werden.

- Berühren Sie die Ein/Aus-Taste innerhalb von 6 Sekunden erneut.
 - Die Pausentaste blinkt.
- Berühren Sie die Pausentaste innerhalb von 6 Sekunden.
 - Die vorherigen Einstellungen sind wieder aktiv.

BETRIEB DES KOCHFELDES

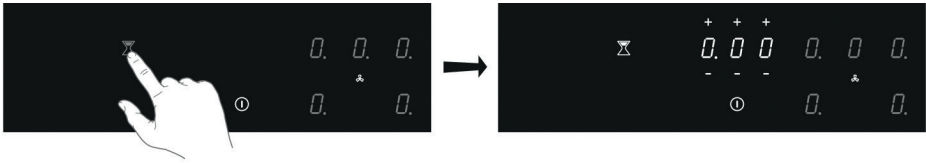
Benutzung des Minutenzählers



Der Minutenzähler ist nicht an eine Kochzone angeschlossen. Der Minutenzähler schaltet weder eine Kochzone noch die Dunstabzugshaube aus.

Das Kochfeld ist eingeschaltet.

1. Berühren Sie die Minutenzähler-Taste, um den Minutenzähler einzuschalten.
 - ▷ Auf der Timer-Anzeige erscheint „0.00“.



2. Stellen Sie mit der '+' oder '-' Taste die gewünschte Zeit ein (von 1 Minute bis 9 Stunden und 59 Minuten).
 - ▷ Die linke Position des Timer-Displays zeigt die Stunden an, die anderen Positionen die Minuten.
 - ▷ Wenn die Zeit eingestellt ist, beginnt der Countdown.
 - ▷ Auf der Timer-Anzeige wird die verbleibende Zeit angezeigt.
 - ▷ Die letzten 10 Minuten werden in Minuten und Sekunden angezeigt.
 - ▷ Nach Ablauf der eingestellten Zeit blinkt der Timer und der Alarm ertönt.
3. Berühren Sie die Timer-Anzeige, um den Alarm zu beenden.
 - ▷ Der Alarm stoppt automatisch nach 2 Minuten.



Tippen Sie auf den Minutenzähler-Taste und dann auf die Taste „-“, um die Zeit auf „0.00“ zu stellen, damit der Minutenzähler vor Ablauf der Zeit ausgeschaltet wird.



Wenn die Kochzone ausgeschaltet ist, berühren Sie die Ein/Aus-Taste zweimal, um den Minutenzähler vor Ablauf der Zeit auszuschalten.

BETRIEB DES KOCHFELDES

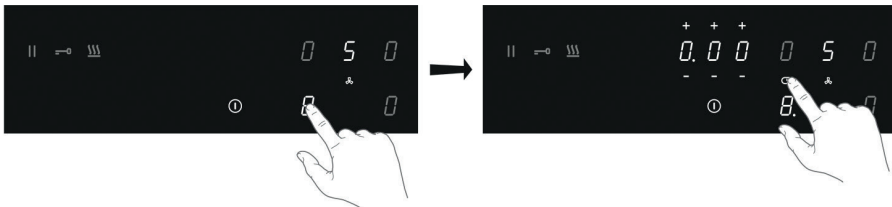
Verwendung des Kochtimers



Der Kochtimer ist mit einer Kochzone verbunden. Nach Ablauf der eingestellten Zeit schaltet sich die Kochzone automatisch ab.

Die Kochzone ist eingeschaltet und für mindestens eine Kochzone ist eine Leistungsstufe eingestellt.

1. Berühren Sie die Taste der gewünschten Kochzone.
2. Berühren Sie das Timer-Symbol.
 - ▷ Das Timer-Symbol des aktiven Kochtimers leuchtet hell auf.
 - ▷ Auf der Timer-Anzeige erscheint „0.00“.



3. Stellen Sie mit der '+' oder '-' Taste die gewünschte Zeit ein (von 1 Minute bis 9 Stunden und 59 Minuten).
 - ▷ Die linke Position des Timer-Displays zeigt die Stunden an, die anderen Positionen die Minuten.
 - ▷ Wenn die Zeit eingestellt ist, beginnt der Countdown und das Timer-Symbol blinkt langsam.
 - ▷ Auf der Timer-Anzeige wird die verbleibende Zeit angezeigt.
 - ▷ Die letzten 10 Minuten werden in Minuten und Sekunden angezeigt.
 - ▷ Die gewählte Kochzone schaltet sich nach Ablauf der eingestellten Zeit automatisch ab.
 - ▷ Nach Ablauf der eingestellten Zeit blinkt der Timer und der Alarm ertönt.
4. Berühren Sie das Timer-Symbol, um den Alarm zu stoppen.
 - ▷ Der Alarm stoppt automatisch nach 2 Minuten.



Alle Kochzonen können mit einem eingestellten Kochtimer benutzt werden. Auf dem Display wird immer die Zeit der Kochzone mit der kürzesten verbleibenden Zeit angezeigt.

Ändern der voreingestellten Garzeit

Die Garzeit kann jederzeit während des Betriebs geändert werden.

1. Berühren Sie die entsprechende Kochzonentaste.
2. Berühren Sie das Timer-Symbol.
3. Verwenden Sie die Taste „+“ oder „-“, um die Uhrzeit zu ändern.

BETRIEB DES KOCHFELDES

Kontrolle der verbleibenden Garzeit

- Berühren Sie die Kochzonentaste, um die Zone auszuwählen, deren Restzeit Sie anzeigen möchten.
 - ▶ Eine mit dem Kochtimer verbundene Zone wird durch ein blinkendes Timer-Symbol oberhalb der Kochzonenanzeige gekennzeichnet.
 - ▶ Der Timer zeigt die verbleibende Zeit für die gewählte Kochzone an.
 - ▶ Während der letzten 10 Minuten des Countdowns wird die verbleibende Zeit in Minuten und Sekunden angezeigt.

Ausschalten des Kochtimers

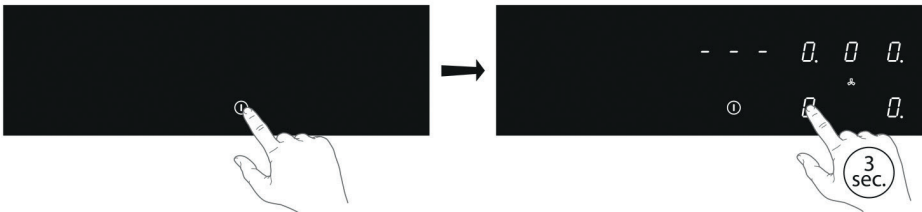
Wenn Sie den Kochtimer vor Ablauf der eingestellten Zeit ausschalten möchten:

- Berühren Sie die Kochzonentaste, um die Zone auszuwählen, für die Sie den Kochtimer ausschalten möchten.
 - ▶ Eine mit dem Kochtimer verbundene Zone wird durch ein blinkendes Timer-Symbol oberhalb der Kochzonenanzeige gekennzeichnet.
- Berühren Sie das Timer-Symbol.
- Berühren Sie die Taste(n) „-“, um die Zeit auf „0.00“ zu setzen.
 - ▶ Das Timer-Symbol leuchtet nicht mehr hell.
- Bestätigen Sie die Einstellung; berühren Sie erneut das Timer-Symbol.

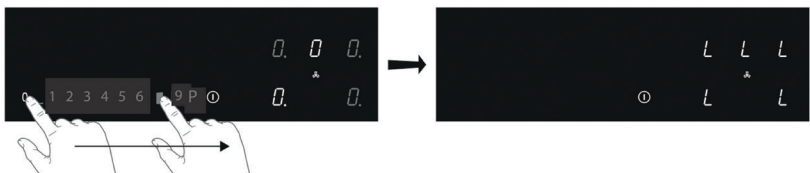
Kindersicherung

Um die Kindersicherung zu aktivieren, müssen die beschriebenen Schritte innerhalb von 10 Sekunden durchgeführt werden.

- Schalten Sie das Kochfeld ein.
- Berühren Sie eine der Kochzonentasten und halten Sie sie 3 Sekunden lang gedrückt.



- Lassen Sie den Finger los und gleiten Sie mit dem Schieberegler von 0 bis 9.
 - ▶ Alle Anzeigen zeigen das Symbol „L“.

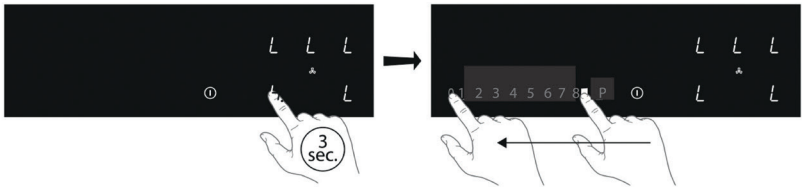


BETRIEB DES KOCHFELDES

Das Kochfeld ist jetzt gesperrt. Sie verhindert ein unbeabsichtigtes Einschalten. Nach 20 Sekunden schaltet sich das Kochfeld automatisch aus.

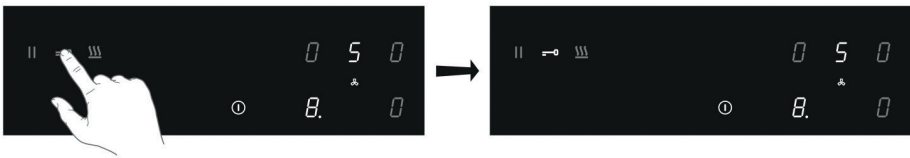
Um die Kindersicherung zu deaktivieren, müssen die beschriebenen Schritte innerhalb von 10 Sekunden durchgeführt werden.

1. Schalten Sie das Kochfeld ein.
2. Berühren Sie eine der Kochzonentasten und halten Sie sie 3 Sekunden lang gedrückt.
3. Loslassen und mit dem Finger den Schieberegler von 9 auf 0 setzen.



Sperrfunktion für schnelle Reinigung während des Kochens

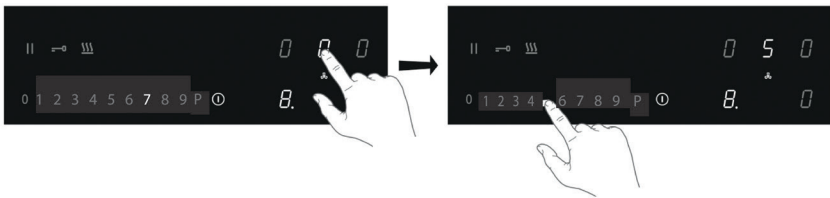
1. Berühren Sie die Sperrtaste.
 - ▷ Die Sperrtaste leuchtet hell auf; die Einstellungen des Kochfeldes sind gesperrt, um eine Schnellreinigung zu ermöglichen.
2. Berühren Sie die Sperrtaste nach der Schnellreinigung erneut, um die Funktion auszuschalten.



BETRIEB DES DUNSTABZUGS

Manuelles Ein- und Ausschalten des Dunstabzugs

- Berühren Sie die Dunstabzugs-Taste.
 - Das Display des Dunstabzugs leuchtet auf.
- Stellen Sie die Geschwindigkeit des Dunstabzugs innerhalb von 3 Sekunden durch Berühren des Schiebereglers (1 bis 9) ein.
 - Der Dunstabzug schaltet sich mit der eingestellten Abzugsgeschwindigkeit ein.
 - Stellen Sie mit dem Schieberegler eine höhere oder niedrigere Stufe ein.



- Stellen Sie die Stufe der Abzugsgeschwindigkeit auf „0“, um den Dunstabzug auszuschalten.
- Schalten Sie das Induktionskochfeld aus, indem Sie die Ein/Aus-Taste berühren.



Im Umluftbetrieb arbeitet der Dunstabzug nach dem Ausschalten des Kochfeldes noch 20 Minuten im Nachlaufbetrieb.

Boost-Funktion

Mit der Boost-Funktion können Sie bis zu max. 6 Minuten auf der höchsten Stufe Dunst absaugen.

- Berühren Sie die Stufe P, um die Boost-Funktion auszuwählen.
 - Auf dem Display wird „P“ angezeigt.
 - Nach Ablauf der maximalen Boostzeit wird die Geschwindigkeit des Dunstabzugs auf Stufe 9 reduziert.



Im Umluftbetrieb gibt es keine zeitliche Begrenzung und die Boost-Funktion bleibt aktiv.

- Stellen Sie die Stufe der Abzugsgeschwindigkeit auf „0“, um den Dunstabzug auszuschalten.
- Schalten Sie das Induktionskochfeld aus, indem Sie die Ein/Aus-Taste berühren.

BETRIEB DES DUNSTABZUGS

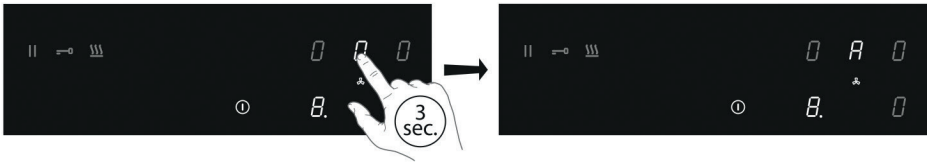
Ein- und Ausschalten des automatischen Dunstabzugbetriebs



Im automatischen Dunstabzugbetrieb passt sich die Abzugleistung automatisch an die Nutzung der Kochzonen an.

Eine Kochzone ist in Betrieb (Stufe 8) und der automatische Dunstabzugbetrieb ist aktiv (Stufe 5).

1. Berühren Sie die Dunstabzug-Taste drei Sekunden lang.
 - ▷ Auf dem Display wird „A“ angezeigt.



2. Berühren Sie die Dunstabzug-Taste erneut drei Sekunden lang, um den automatischen Dunstabzugbetrieb auszuschalten.

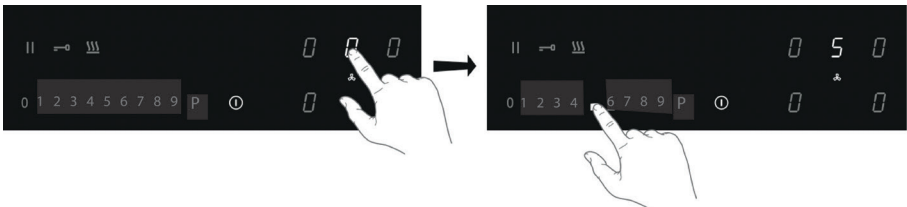
Einstellung Verzögerungszeit Dunstabzug

Mit dieser Funktion können Sie den Dunstabzug mit einer Verzögerung von mehreren Minuten ausschalten.



Der automatische Dunstabzugbetrieb muss ausgeschaltet sein.

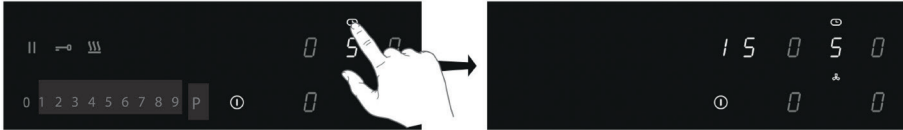
1. Schalten Sie das Kochfeld ein.
2. Berühren Sie die Dunstabzug-Taste und stellen Sie eine Geschwindigkeitsstufe für den Dunstabzug ein.



3. Berühren Sie das Timer-Symbol.
 - ▷ Das Timer-Symbol des Dunstabzugs leuchtet hell auf.

BETRIEB DES DUNSTABZUGS

4. Stellen Sie mit der Taste „+“ oder „-“ die gewünschte Verzögerungszeit ein.
 - ▷ Der Countdown startet automatisch.
 - ▷ Der Dunstabzug schaltet sich nach der eingestellten Zeit aus.



Sättigung des Fettfilters

Nach 30 Betriebsstunden wird am Display des Dunstabzugs abwechselnd „F“ und „G“ angezeigt; es ist notwendig, eine Wartung des Fettfilters durchzuführen (siehe „Wartung/Reinigung der Filter“). Die Anzeige der Sättigung des Fettfilters ist immer aktiviert.

Sättigung des Geruchsfilters

Standardmäßig ist die Anzeige der Geruchsfiltersättigung deaktiviert (wenn der Dunstabzug im Kanalbetrieb arbeitet). Aktivieren Sie die Anzeige der Sättigung des Geruchsfilters, wenn der Dunstabzug als Umlufteinheit installiert ist; siehe „Benutzermenü“.

Nach 120 Betriebsstunden wird am Display des Dunstabzugs abwechselnd „F“ und „C“ angezeigt; es ist eine Wartung des Geruchsfilters erforderlich (siehe „Wartung“).

- Bei Verwendung eines kombinierten Geruchs-/Feinstaubfilters muss der Filter spätestens nach 1 Jahr ausgetauscht werden.

Zurücksetzen des Speichers der Filtersättigungsanzeige

Setzen Sie den Speicher nach dem Auswechseln des Fettfilters und/oder des Geruchsfilters zurück

1. Schalten Sie das Kochfeld ein.
2. Berühren Sie die Dunstabzug-Taste 3 Sekunden lang.
 - ▷ Auf dem Display des Dunstabzugs werden „F“ und „G“ oder „F“ und „C“ deaktiviert und der Speicher beginnt von neuem zu zählen.

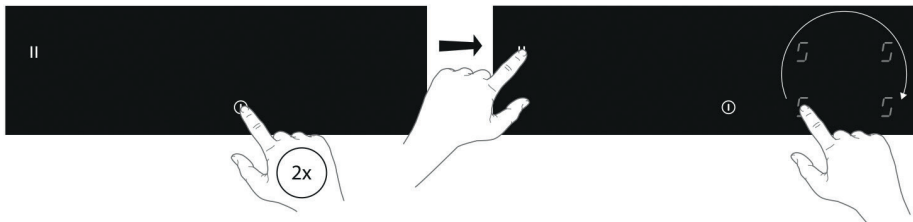
BENUTZERMENÜ

Das Benutzermenü ermöglicht es dem Benutzer, u.a. die Signale auf dem Kochfeld nach Wunsch einzustellen. Dies betrifft sowohl akustische (Ton und Lautstärke) als auch visuelle Signale.

Menü-Code	Beschreibung	Wert der Konfiguration
U0	Verfügbare Gesamtleistung des Geräts	Von 1400 W bis 7400 W (Standard) in 100 W-Schritten
U1	Kanalbetrieb / Umluftbetrieb	0: Kanalbetrieb (Standard) 1: Umluftbetrieb
U2	Lautstärke Tastenton	0 (aus) - 1 - 2 - 3 max. (Standard)
U3	Lautstärke Alarmsignal	0 (aus) - 1 - 2 - 3 max. (Standard)
U4	Beleuchtungsstärke Anzeige	Max. 0 (Standard)- 1 - 2 - 3 - 4 - 5 - 6 - 7 - 8 - 9 Min.
U5	Animation Countdown	0: aus (Standard) 1: ein
U6	Automatische Topferkennung	0: aus 1: ein (Standard)
U7	Akustisches Signal Countdown-Timer	0: akustisches Signal innerhalb von 120 Sekunden (Standard) 1: akustisches Signal innerhalb von 10 Sekunden 2: kein akustisches Signal

Öffnen Sie das Benutzermenü

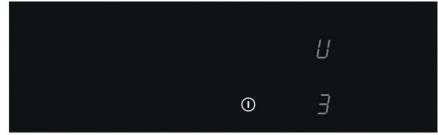
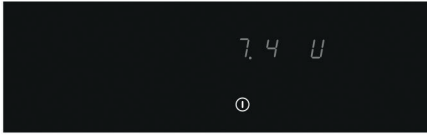
- Berühren Sie die Ein/Aus-Taste zweimal innerhalb von drei Sekunden.
 - Die Pausentaste blinkt.
- Berühren und halten Sie die Pausentaste.
- Berühren Sie dann jede Kochzonentaste im Uhrzeigersinn (beginnen Sie mit der Kochzonentaste vorne links).



BENUTZERMENÜ

4. Lassen Sie die Pausentaste los.

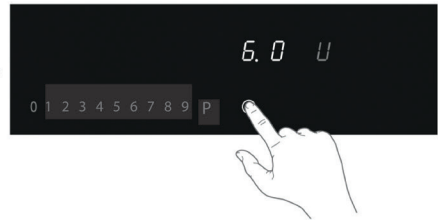
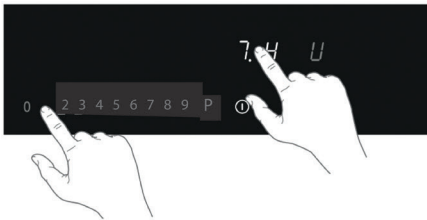
- ▷ Auf der Kochzonenanzeige hinten links blinkt „U“ abwechselnd mit der Zahl „0“.
- ▷ Bei Menücode U0 erscheint der Konfigurationswert in der Timeranzeige.
- ▷ Bei allen anderen Menücodes erscheint der Konfigurationswert in der Kochzonenanzeige vorne links.



Menücode U0 (maximale Gesamtleistung)

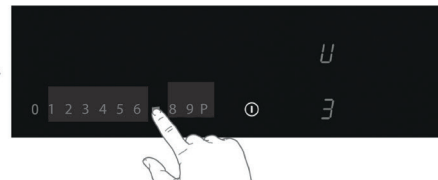
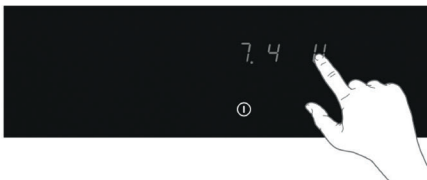
Wenn die Elektroinstallation in Ihrer Wohnung andere Stromgrenzwerte hat, kann die maximale Leistungsaufnahme des Kochfeldes reduziert werden.

1. Öffnen Sie das Benutzermenü.
2. Tippen Sie einmal auf die Timer-Anzeige und steuern Sie den Schieberegler auf der linken Seite, um die Leistung um 0,1 kW pro Schritt zu verringern. Verwenden Sie die rechte Seite des Schiebereglers, um die Leistung mit 0,1 kW pro Schritt zu erhöhen.
3. Bestätigen Sie die Einstellung, indem Sie die Ein-/Aus-Taste berühren und halten, bis Sie ein Tonsignal hören.



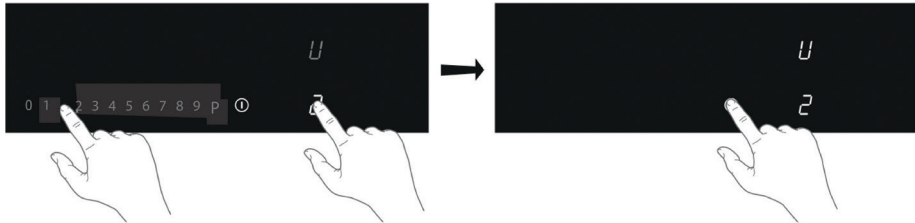
Menü-Code U1 - U7

1. Öffnen Sie das Benutzermenü.
2. Berühren Sie die Kochzonentaste hinten links und wählen Sie die richtige Nummer des Menücodes (siehe Tabelle).



BENUTZERMENÜ

3. Berühren Sie die Kochzonentaste vorne links und wählen Sie den richtigen Wert (siehe Tabelle).
4. Bestätigen Sie die Einstellung, indem Sie die Ein-/Aus-Taste berühren und halten, bis Sie ein Tonsignal hören.



LEISTUNGSBEGRENZER



Die Einstellung des Leistungsbegrenzers sollte nur von einem zugelassenen und qualifizierten Monteur vorgenommen werden. Bitte lesen Sie die Sicherheitsvorschriften und die Installationsanleitung sorgfältig durch.

Das Kochfeld ist mit einem Leistungsbegrenzer ausgestattet. Wenn die Gesamtleistung der in Betrieb befindlichen Kochzonen die maximal verfügbare Leistung überschreitet, wird die Leistung automatisch herabgesetzt. Die Anzeige der Kochzone, deren Leistung reduziert wird, blinkt zunächst; die Stufe wird dann automatisch auf die höchste verfügbare Leistung reduziert.

- Der Limiter ist werkseitig auf 7400 W eingestellt, diese Einstellung kann jedoch in Schritten von jeweils 100 W auf bis zu 1400 W geändert werden.

Konfiguration des Leistungsbegrenzers

Vergewissern Sie sich, dass keine Töpfe oder Pfannen auf der Herdplatte stehen, bevor Sie beginnen!

1. Trennen Sie das Gerät vom Stromnetz, indem Sie den Netzstecker aus der Steckdose ziehen, die Sicherung herausnehmen oder den Schutzschalter ausschalten.
2. Schließen Sie das Gerät wieder an das Stromnetz an.
 - ▷ Die Minutenzähler-Taste blinkt.
- **Führen Sie innerhalb von 2 Minuten, nachdem Sie das Kochfeld wieder an die Stromversorgung angeschlossen haben, die folgenden Schritte durch.**
- **Stellen Sie sicher, dass alle Kochzonen ausgeschaltet sind.**
3. Berühren und halten Sie die Minutenzähler-Taste.
4. Berühren Sie dann jede Kochzonentaste gegen den Uhrzeigersinn (beginnen Sie mit der Kochzonentaste vorne rechts).

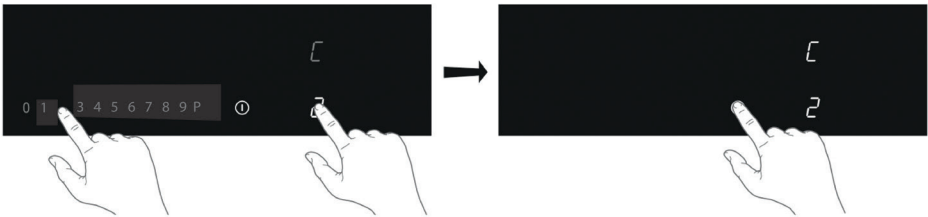


LEISTUNGSBEGRENZER

5. Lassen Sie die Minutenzähler-Taste los.
 - ▷ Auf der Kochzonenanzeige hinten links blinken „C“ und „0“ abwechselnd.
 - ▷ Der Konfigurationswert erscheint auf der Kochzonenanzeige vorne links.
6. Berühren Sie die Kochzonentaste hinten links und wählen Sie mit dem Schieberegler „8“.
 - ▷ Auf der Kochzonenanzeige hinten links blinken „C“ und „8“ abwechselnd.



7. Berühren Sie die Kochzonentaste vorne links und wählen Sie die gewünschte Leistungsbegrenzung mit dem Schieberegler .
8. Halten Sie dann die Taste Ein/Aus gedrückt, bis alle Anzeigeelemente verschwinden.
 - ▷ Das Kochfeld ist nun mit dem gewählten Leistungsbegrenzer einsatzbereit.



WARTUNG

Reinigung

Erste Verwendung

- Verwenden Sie ein feuchtes Tuch, um die Glasoberfläche zu reinigen und zu trocknen, bevor Sie sie zum ersten Mal benutzen.
- Es wird empfohlen, das Gerät nach der Reinigung mit einem feuchten Tuch abzutrocknen, um die Bildung von Kalkablagerungen zu vermeiden.

Tägliche Reinigung

- Auch wenn sich keine verschütteten Lebensmittel in das Glas einbrennen können, empfehlen wir Ihnen dennoch, das Kochfeld sofort nach dem Gebrauch zu reinigen.
- Für die tägliche Reinigung eignet sich am besten ein feuchtes Tuch mit einem milden Reinigungsmittel.
- Mit Küchenpapier oder einem trockenen Geschirrtuch abtrocknen.

Hartnäckige Flecken

- Hartnäckige Flecken können auch mit einem milden Reinigungsmittel wie Spülmittel entfernt werden.
- Entfernen Sie Wasserflecken und Kalkablagerungen mit Essig.
- Metallspuren (verursacht durch gleitende Pfannen) können schwer zu entfernen sein. Spezielle Reinigungsmittel sind verfügbar.
- Verwenden Sie einen Glasschaber, um verschüttete Lebensmittel zu entfernen. Geschmolzener Kunststoff und Zucker lassen sich ebenfalls am besten mit einem Glasschaber entfernen.



Verwenden Sie niemals Schleifmittel. Sie hinterlassen Kratzer, in denen sich Schmutz und Kalk ablagern können. Verwenden Sie niemals scharfe Gegenstände wie Stahlwolle oder Scheuermittel.

Filter und Auffangbehälter

Fettfilter

Am Display des Dunstabzugs wird nach 30 Betriebsstunden der Abzugeinheit abwechselnd „F“ und „G“ angezeigt. Die Fettfilter müssen nun gereinigt werden.

Diese müssen einmal im Monat gereinigt werden (oder wenn das Filtersättigungsanzeigesystem diese Notwendigkeit anzeigt). Verwenden Sie keine aggressiven Reinigungsmittel und reinigen Sie den Filter vorzugsweise manuell oder im Geschirrspüler bei niedriger Temperatur und mit einem kurzen Programm. Legen Sie die Filter mit der Öffnung nach unten in den Geschirrspüler, damit das Wasser ablaufen kann. Die in Geschirrspülern verwendeten Reinigungsmittel lassen das Aluminium schneller stumpf werden. Das ist normal.

Setzen Sie nach dem Reinigen und Auswechseln der Fettfilter den Speicher der Filtersättigungsanzeige zurück.

Recirculation filters - (only for filter version)

Umlauffilter - (nur für Filterversion)

Filter können im Ofen wiederhergestellt werden, besser mit Gebläse.

Die Temperatur des Ofens sollte 150°-180° betragen, höhere Temperaturen könnten die Filter beschädigen.

Legen Sie die Filtersteine besser nicht vorgeheizt auf den Backofenrost und lassen Sie sie abkühlen

vollständig vor dem Entfernen.

Die Zeit, die zum Wiederherstellen der Filter benötigt wird, beträgt mindestens zwei Stunden oder sogar mehr, je nach dem Kochintensität.

Die Wiederherstellung sollte nur an einem gut belüfteten Ort erfolgen.

Waschen Sie die Filter nicht in der Spülmaschine.

Rezirkulationsfilter können viele Male wiederhergestellt werden, aber für eine bessere Effizienz empfehlen wir dies

alle 1 Jahre ersetzen.

FEHLERBEHEBUNG

**Achtung**

Wenn Sie einen Riss in der Glasplatte bemerken (egal wie klein), schalten Sie das Kochfeld sofort aus und trennen Sie es vom Stromnetz. Wenden Sie sich an den Kundendienst.

Wenn das Gerät nicht ordnungsgemäß funktioniert, bedeutet dies nicht immer, dass es defekt ist. Versuchen Sie zunächst, das Problem selbst zu lösen, indem Sie die nachstehende Tabelle prüfen. Weitere Informationen können Sie auch auf unserer Website abrufen. Wenn das Problem weiterhin besteht, wenden Sie sich an den Kundendienst.

Störung	Mögliche Ursache	Lösung
Die Anzeige leuchtet auf, wenn das Kochfeld zum ersten Mal eingeschaltet wird.	Dies ist die Standard-Einstellung.	Normaler Betrieb.
Das Gebläse läuft nach dem Ausschalten des Kochfeldes noch einige Minuten weiter.	Das Kochfeld kühlt ab.	Normaler Betrieb.
Bei der ersten Benutzung des Kochfeldes ist ein leichter Geruch wahrnehmbar.	Das neue Gerät wird aufgeheizt.	Das ist normal und verschwindet, sobald es ein paar Mal benutzt wurde. Belüften Sie die Küche.
Die Töpfe machen beim Kochen ein Geräusch.	Dies wird durch die Energie verursacht, die vom Kochfeld an den Kochtopf abgegeben wird.	Bei einigen Töpfen ist dies bei hohen Kochstufen völlig normal. Dadurch werden weder die Töpfe noch das Kochfeld beschädigt.
Sie haben eine Kochzone eingeschaltet, aber das Display zeigt <u>u</u> .	Der von Ihnen verwendete Topf ist nicht für das Induktionskochen geeignet oder hat einen zu kleinen Durchmesser.	Verwenden Sie einen geeigneten Topf.
Eine Kochzone funktioniert plötzlich nicht mehr und Sie hören ein Signal.	Die Zeit, die für den Timer eingestellt wurde, ist abgelaufen.	Berühren Sie die linke oder rechte Timer-Taste, um den Alarm zu beenden.
Das Kochfeld funktioniert nicht und auf dem Display wird nichts angezeigt.	Die Stromversorgung ist aufgrund eines defekten Kabels oder eines fehlerhaften Anschlusses unterbrochen.	Überprüfen Sie die Sicherungen oder den Stromschalter (wenn kein Stecker vorhanden ist).
Eine Sicherung brennt durch, sobald das Kochfeld eingeschaltet wird.	Das Kochfeld wurde falsch angeschlossen.	Wenden Sie sich an einen Fachmonteur.
Auf dem Display wird L angezeigt.	Die Kindersicherung ist aktiviert.	Siehe Kapitel „Bedienung des Kochfeldes/Kindersicherung“.
Fehlercode ER 03 .	Sie haben zwei oder mehr Tasten gleichzeitig gedrückt.	Betätigen Sie nicht mehr als eine Taste zur gleichen Zeit.
	Das Bedienfeld ist verschmutzt oder mit Wasser bedeckt.	Reinigen Sie das Bedienfeld.

FEHLERBEHEBUNG

Störung	Mögliche Ursache	Lösung
Fehlercode ER21 .	Überhitzung.	Das Kochfeld abkühlen lassen.
Fehlercode E2 .	Übertemperatur des Induktionselements. Es könnte leeres Kochgeschirr verwendet worden sein.	Erhitzen Sie kein leeres Kochgeschirr.
Fehlercode E3 .	Falscher Topf.	Verwenden Sie geeignete Töpfe.
Fehlercode E8 .	Fehlfunktion des Dunstabzugs. Der Dunstabzug kann blockiert sein.	Entfernen Sie eventuelle Verstopfungen und reinigen Sie den Dunstabzug.
Andere Fehlercodes.		Wenden Sie sich an den Kundendienst.

Attention

Il est très important de conserver ce livret avec *centrale ob*, pour toute consultation future. Si l'appareil est vendu ou transféré à une autre personne, s'assurer que le livret est fourni avec ce dernier, de manière à ce que le nouvel utilisateur puisse être informé du fonctionnement de la hotte et des avertissements correspondants. Ces derniers ont été rédigés pour votre sécurité et pour celle des autres ; aussi, nous vous prions de les lire attentivement avant d'installer et d'utiliser l'appareil. Consulter également les dessins des premières pages avec les références alphabétiques et numériques indiquées dans le texte explicatif. Suivre strictement les instructions figurant dans ce manuel. Nous déclinons toute responsabilité en cas de problèmes, de dommages ou d'incendies éventuels subis par l'appareil et dérivant de la non observation des instructions présentes dans ce manuel. L'installation et le raccordement électrique doivent être réalisés par un technicien spécialisé. Le fournisseur annule toute garantie en cas de dommages dérivant d'une installation ou d'un usage erroné de l'appareil. Ne jamais modifier ou essayer de modifier ses caractéristiques.

La table de cuisson doit toujours être utilisée dans les limites d'un usage domestique normal, et non pour un usage professionnel, pour préparer et garder des mets au chaud. Aucun autre usage n'est admis. Durant le fonctionnement, l'appareil ne doit pas rester sans surveillance.

Cet appareil peut être utilisé par les enfants de plus de 8 ans et par des personnes ayant des capacités sensorielles ou mentales réduites, manquant d'expérience et de connaissance, sous surveillance ou instruites quant au fonctionnement de l'appareil en toute sécurité et s'ils se rendent compte des dangers qui y sont liés.

Les enfants ne doivent pas jouer avec l'appareil.

Les opérations de nettoyage et d'entretien ne doivent pas être effectuées par les enfants sans surveillance.

Se servir du dispositif de blocage des commandes pour empêcher les enfants d'allumer l'appareil ou d'en modifier les fonctions par mégarde. Durant le fonctionnement, ne jamais laisser l'appareil sans surveillance.

Ne pas commander la table par l'intermédiaire d'une minuterie externe.

Durant le fonctionnement, l'appareil ne doit pas rester sans surveillance. S'assurer que les enfants éventuellement présents dans la maison ne peuvent pas renverser les casseroles et les poêles chaudes sur le sol. Tourner les poignées et les manches des casseroles et les poêles sur le côté, sur la surface de travail, de manière à ce qu'elles se trouvent au-dessus du plan de travail pour prévenir le risque de brûlures.

Si le cordon d'alimentation est endommagé, le faire remplacer dans un centre d'assistance ou par du personnel qualifié.

Pour des questions de sécurité, la table de cuisson ne doit être utilisée qu'après avoir été encastrée.

Ne pas appliquer de joints en silicone entre le verre et le plan de travail, l'éventuel remplacement du plan de cuisson pourrait provoquer la rupture du verre durant le retrait.

Avant de procéder à l'encastrement, contrôler si la table de cuisson présente d'éventuels dommages visibles. Ne jamais mettre en fonction un appareil endommagé, car on risque de compromettre la sécurité.

L'encastrement et le branchement électrique de l'appareil sur le secteur ne peuvent être réalisés que par du personnel spécialisé. La sécurité électrique n'est garantie que si la table de cuisson est régulièrement mise à la terre. En cas de doutes, faire contrôler l'installation électrique par un électricien qualifié. Ne pas brancher la table de cuisson sur le secteur avec des rallonges ou des prises multiples, parce qu'elles ne garantissent pas la sécurité nécessaire (ex. risque de surchauffe). Avant de brancher la table de cuisson, comparer les données de raccordement (tension et fréquence) sur la plaque avec celles du secteur. Ces données doivent absolument correspondre, dans le cas contraire, la machine pourrait subir des dommages. En cas de doutes, s'adresser à un électricien.

Pour réaliser les travaux d'installation, d'entretien et de réparation, débrancher l'appareil du secteur.

Il est nécessaire de respecter toutes les réglementations relatives à l'évacuation de l'air.

ATTENTION : si la surface est fissurée, éteindre l'appareil pour éviter tout risque d'électrocution.

Ne jamais ouvrir le boîtier de l'appareil. Le contact éventuel avec des parties sous tension ou la modification des structures électriques ou mécaniques peut provoquer des anomalies de fonctionnement.

La table à induction ne doit pas être utilisée comme plan de travail. Les fonds rugueux des récipients peuvent rayer la table de cuisson.

Maintenir les zones de cuisson et le fond des récipients toujours parfaitement secs.

L'installation électrique doit avoir en amont de l'appareil un interrupteur qui garantit un débranchement omnipolaire avec ouverture des contacts d'au moins 3 mm.

ATTENTION : Les dispositifs de protection du plan de cuisson doivent être seulement ceux conçus par le fabricant de l'appareil de cuisson ou ceux indiqués dans le mode d'emploi fourni par le fabricant de l'appareil comme adaptés à l'utilisation ou les dispositifs de protection du plan de cuisson intégrés dans l'appareil.

L'utilisation de dispositifs de protection non adéquats peut provoquer des accidents.

Durant la phase d'installation, l'appareil doit être raccordé à une alimentation dont l'impédance du système doit être adaptée à une valeur de $0,005+j0,005[\text{Ohm}]$.

Danger d'incendie

L'huile et la graisse trop chaudes s'enflamment rapidement.

Ne pas laisser de l'huile ou de la graisse surchauffées sans surveillance.

Si celles-ci prennent feu, ne pas tenter d'éteindre les flammes avec de l'eau, mais utiliser un couvercle ou une assiette avec une couverture ignifuge. Éteindre la zone de cuisson. Ne jamais placer aucun objet inflammable sur la table de cuisson.

ATTENTION : risque d'incendie : ne laisser aucun objet sur les surfaces de cuisson.

Pour des questions de sécurité, la table de cuisson ne doit être utilisée qu'après avoir été encastrée.

Ne pas appliquer de joints en silicone entre le verre et le plan de travail, l'éventuel remplacement du plan de cuisson pourrait provoquer la rupture du verre durant le retrait.

Avant de procéder à l'encastrement, contrôler si la table de cuisson présente d'éventuels dommages visibles. Ne jamais mettre en fonction un appareil endommagé, car on risque de compromettre la sécurité.

L'encastrement et le branchement électrique de l'appareil sur le secteur ne peuvent être réalisés que par du personnel spécialisé. La sécurité électrique n'est garantie que si la table de cuisson est régulièrement mise à la terre. En cas de doutes, faire contrôler l'installation électrique par un électricien qualifié. Ne pas brancher la table de cuisson sur le secteur avec des rallonges ou des prises multiples, parce qu'elles ne garantissent pas la sécurité nécessaire (ex. risque de surchauffe). Avant de brancher la table de cuisson, comparer les données de raccordement (tension et fréquence) sur la plaque avec celles du secteur. Ces données doivent absolument correspondre, dans le cas contraire, la machine pourrait subir des dommages. En cas de doutes, s'adresser à un électricien.

Pour réaliser les travaux d'installation, d'entretien et de réparation, débrancher l'appareil du secteur.

Il est nécessaire de respecter toutes les réglementations relatives à l'évacuation de l'air.

ATTENTION : si la surface est fissurée, éteindre l'appareil pour éviter tout risque d'électrocution.

Ne jamais ouvrir le boîtier de l'appareil. Le contact éventuel avec des parties sous tension ou la modification des structures électriques ou mécaniques peut provoquer des anomalies de fonctionnement.

La table à induction ne doit pas être utilisée comme plan de travail. Les fonds rugueux des récipients peuvent rayer la table de cuisson.

Maintenir les zones de cuisson et le fond des récipients toujours parfaitement secs.

L'installation électrique doit avoir en amont de l'appareil un interrupteur qui garantit un débranchement omnipolaire avec ouverture des contacts d'au moins 3 mm.

ATTENTION : Les dispositifs de protection du plan de cuisson doivent être seulement ceux conçus par le fabricant de l'appareil de cuisson ou ceux indiqués dans le mode d'emploi fourni par le fabricant de l'appareil comme adaptés à l'utilisation ou les dispositifs de protection du plan de cuisson intégrés dans l'appareil.

L'utilisation de dispositifs de protection non adéquats peut provoquer des accidents.

Durant la phase d'installation, l'appareil doit être raccordé à une alimentation dont l'impédance du système doit être adaptée à une valeur de $0,005+j0,005[\text{Ohm}]$.

Danger d'incendie

L'huile et la graisse trop chaudes s'enflamment rapidement.

Ne pas laisser de l'huile ou de la graisse surchauffées sans surveillance.

Si celles-ci prennent feu, ne pas tenter d'éteindre les flammes avec de l'eau, mais utiliser un couvercle ou une assiette avec une couverture ignifuge. Éteindre la zone de cuisson. Ne jamais placer aucun objet inflammable sur la table de cuisson.

ATTENTION : risque d'incendie : ne laisser aucun objet sur les surfaces de cuisson.

Danger de brûlures

ATTENTION : cet appareil et ses parties accessibles deviennent très chauds durant l'utilisation.

I l faut faire attention et éviter de toucher les éléments chauffants.

Éloigner les enfants de moins de 8 ans s'ils ne sont pas constamment surveillés.

Ne pas poser sur la table à induction des objets comme des couteaux, des fourchettes, des cuillers ou des couvercles car ils risquent de surchauffer.

Ne pas réchauffer des récipients fermés, par exemple en fer-blanc, sur les zones de cuisson. La surpression générée pourrait faire éclater le récipient.

Récipients adéquats

Seuls les récipients ferromagnétiques sont indiqués pour la cuisson à induction ; en particulier, on peut utiliser : de l'acier émaillé, de la fonte, de la vaisselle spéciale pour l'induction en acier inox. Utiliser exclusivement des casseroles et des poêles à fond lisse. N'introduire aucun type d'objet entre le fond de la casserole et le plan en verre céramique, par exemple des adaptateurs.

Zone de Cuisson	Diamètre minimum
OCTA (single)	110 mm
OCTA (bridged mode)	230 mm

* Le diamètre maximum conseillé correspond au diamètre de la zone de cuisson ; on peut utiliser des casseroles d'un diamètre supérieur mais la chaleur se diffusera de façon moins uniforme.

Pour savoir si les récipients utilisés sont appropriés, vérifier qu'ils sont attirés par un aimant.

Il existe un autre type de récipients spéciaux pour l'induction dont le fond n'est pas complètement ferromagnétique.

Récipients non adéquats

Ne jamais utiliser de récipients en : acier fin normal, verre, terre cuite, cuivre et aluminium. Ne positionner aucun récipient vide sur la zone de cuisson pour ne pas provoquer de dommages.

Ne placer aucun récipient chaud sur le bandeau des commandes, dans la zone des voyants ou sur le cadre de la table de cuisson pour ne pas provoquer de dommages.

Danger de pannes

Les casseroles d'où s'évaporent complètement les liquides peuvent endommager le plan en verre céramique, par rapport auxquels le fabricant décline toute responsabilité.

L'appareil est équipé d'un ventilateur de refroidissement. En présence d'un tiroir sous la table de cuisson encastrée, assurer une distance suffisante entre le contenu du tiroir et la partie inférieure de l'appareil, pour ne pas compromettre l'aération.

Le plan de travail doit être plat et horizontal. Les redécoupages du meuble doivent être effectués avant d'installer l'appareil. Éliminer les copeaux pour ne pas compromettre le fonctionnement des composants électriques.

Ne pas conserver, dans l'éventuel tiroir situé sous la table de cuisson, de petits objets ou des feuilles de papier qui risquent, en cas d'aspiration, de casser le ventilateur et de compromettre le refroidissement de l'appareil ; éviter également les objets inflammables ou métalliques, qui risquent de devenir incandescents ou de prendre feu.

Si la table de cuisson est montée derrière la porte d'un meuble, la faire fonctionner en laissant la porte ouverte. Ne fermer la porte du meuble que si l'appareil et les voyants de chaleur résiduelle sont éteints.

Si l'appareil est encastré au-dessus d'un four ou d'une cuisinière électrique munis d'un système à pyrolyse, il est conseillé de ne pas le mettre en fonction lorsque la procédure de pyrolyse est en cours, car la protection de surchauffe de la table de cuisson risque de se déclencher.

Le plan de cuisson ne doit pas être installé au-dessus du lave-vaisselle, car la vapeur émise par le lave-vaisselle pourrait causer un dysfonctionnement du circuit électronique du plan de cuisson.

Ne pas utiliser un appareil à vapeur quelconque, car celle-ci risque d'atteindre les parties sous tension et de provoquer un court-circuit.

Les éventuelles interventions ou réparations de l'appareil au cours de la période de garantie doivent être exclusivement réalisées par le service d'assistance technique autorisé par le fabricant ; dans le cas contraire, la garantie est immédiatement invalidée et annulée. Tout problème suivant, le fabricant ne reconnaîtra absolument aucune garantie.

Remplacer les éventuelles pièces en panne ou défectueuses par des pièces originales, les seules susceptibles de garantir le respect des standards de sécurité.

Avertissement pour les porteurs de pacemakers : ne pas oublier qu'un champ électromagnétique se génère dans les environs immédiats de l'appareil en fonction.

Le risque d'une influence sur le fonctionnement du pacemaker est peu probable. En cas de doutes, s'adresser au fabricant du pacemaker ou au médecin soignant.

Mises en garde : ne verser aucun type de liquide dans l'ouverture d'aspiration de la hotte.

Mise en garde : il est recommandé de sceller avec du silicone ou du ruban adhésif tous les raccords des conduits, aussi bien des tuyaux d'évacuation que des raccords d'assemblage des différentes parties.

En cas d'installation du mode Filtration, veiller particulièrement au positionnement de la zone d'évacuation des fumées afin d'éviter toute turbulence, de manière à ne pas interférer ni avec l'aspiration ni avec le plan de cuisson.

Au cours de l'installation en mode Filtration, positionner les conduits à l'intérieur de la plinthe du meuble en prévoyant l'évacuation de l'air à l'extérieur par une grille, afin d'éviter une accumulation d'humidité à l'intérieur.

Allumer le dispositif d'aspiration exclusivement lorsque le volet de revêtement est ouvert. Pour ouvrir et fermer le volet, utiliser exclusivement l'orifice prévu à cet effet.

Le bac de collecte des liquides doit être vidé fréquemment. Ce bac contient 0,7 l d'eau ; en cas de débordement ou chute de liquides sur le dispositif, éteindre immédiatement ce dernier et vider le bac. Si le liquide tombé sur le plan est supérieur à la capacité du bac, éteindre le dispositif et contacter immédiatement le Service Assistance.

Après l'utilisation, éteindre le plan de cuisson en utilisant son dispositif de commande et ne pas se fier au détecteur de casseroles

Bruits

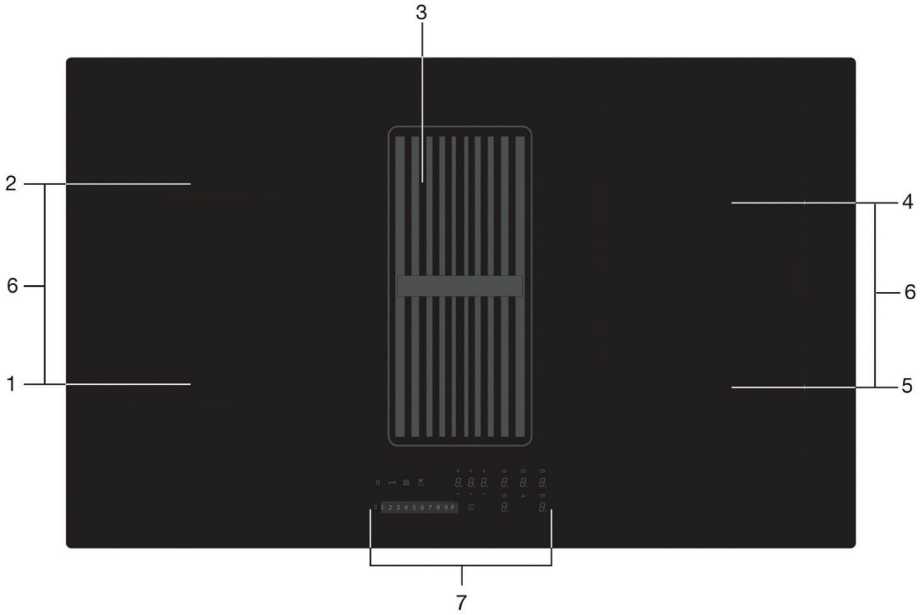
L'induction peut générer un léger bruit qui varie en fonction du matériau, du type de casserole et de la puissance sélectionnée. Quand la table est fréquemment utilisée, le ventilateur de refroidissement démarre pour protéger l'électronique, en générant un bourdonnement parfaitement normal.

Première utilisation

Nettoyer avec un chiffon humide et sécher la table de cuisson avant de l'utiliser pour la première fois. Il est recommandé de sécher l'appareil après l'avoir nettoyé avec un chiffon humide pour éviter les résidus de calcaire.

Quand on allume l'appareil pour la première fois, des odeurs ou des fumées peuvent s'en dégager. L'odeur s'atténue au cours des utilisations successives pour disparaître définitivement. Ces odeurs et ces fumées ne sont pas le signe d'un raccordement erroné ni d'éventuels dommages de l'appareil et elles ne sont pas nocives pour la santé.

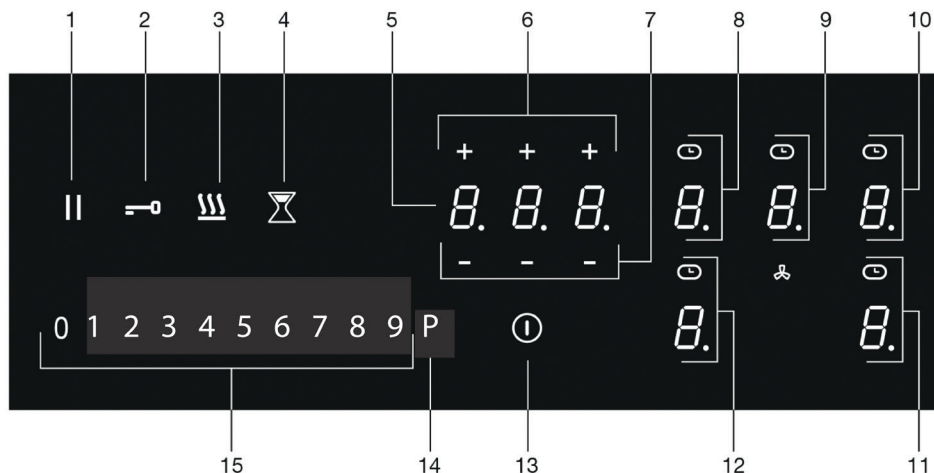
VOTRE PLAQUE À INDUCTION

Description

1. Zone de cuisson avant gauche 210 x 190 mm / 2,1 kW (boost 3,0 kW)
2. Zone de cuisson arrière gauche 2210 x 190 mm / 2,1 kW (boost 3,0 kW)
3. Extracteur
4. Zone de cuisson arrière droite 210 x 190 mm / 2,1 kW (boost 3,0 kW)
5. Zone de cuisson avant droite 210 x 190 mm / 2,1 kW (boost 3,0 kW)
6. Zones de cuisson 21 x 39 cm / 3,7 kW
7. Panneau de contrôle

VOTRE PLAQUE À INDUCTION

Description



1. Touche Pause
2. Touche de verrouillage
3. Touche de maintien au chaud
4. Touche de la minuterie
5. Affichage de la minuterie
6. Touche Minuterie plus
7. Touche Minuterie moins
8. Touche de zone de cuisson arrière gauche (affichage de la zone de cuisson) et symbole de la minuterie
9. Touche d'extraction (affichage de l'unité d'extraction) et symbole de la minuterie
10. Touche de zone de cuisson à l'arrière droit (affichage de la zone de cuisson) et symbole de la minuterie
11. Touche de zone de cuisson avant droite (affichage de la zone de cuisson) et symbole de la minuterie
12. Touche de zone de cuisson à l'avant gauche (affichage de la zone de cuisson) et symbole de la minuterie
13. Touche marche/arrêt
14. Touche Boost
15. Touche coulissante (de la position 0 à la position 9) pour :
 - ▷ réglage d'une valeur (niveau de puissance/niveau de vitesse de l'extracteur/minutes)

VOTRE PLAQUE À INDUCTION

Indications sur l'écran

Affichage de la zone de cuisson	Description
	Niveau de puissance ; 1 = niveau faible / 9 = niveau élevé.
	Niveau de boost actif.
	Aucune casserole (appropriée) sur la zone de cuisson (symbole de détection de casserole).
	Indicateur de chaleur résiduelle : la plaque de cuisson est équipée d'un indicateur de chaleur résiduelle pour chaque zone de cuisson afin de signaler celles qui sont encore chaudes. Bien que la plaque de cuisson soit éteinte, l'indicateur « H » reste allumé tant que la zone de cuisson est chaude ! Évitez de les toucher lorsque ce voyant est allumé. Danger ! Risque de brûlures.
	Verrouillage de sécurité enfant actif.
	Fonction de réchauffage automatique active.
	Fonction de maintien au chaud active.
	Fonction Pause active.
	Zones d'induction de pont connectées actives.
	Minuterie active.
Affichage de l'unité d'extraction	Description
	Niveau de vitesse de l'extracteur : 1 = niveau faible / 9 = niveau élevé.
	Niveau de boost actif.
	« FG » : Indication de la saturation du filtre à graisse.
	« FC » : Indication de la saturation du filtre à odeurs.
	Minuterie active.
Affichage de la minuterie	Description
	La minuterie n'a pas été réglée.
	La minuterie a été réglée (25 minutes).

VOTRE PLAQUE À INDUCTION



Avant toute utilisation, lisez les instructions de sécurité séparées.

Sécurité thermique

Un capteur mesure en permanence la température de certaines parties de la plaque de cuisson. Chaque zone de cuisson est équipée d'un capteur qui mesure la température du fond de la casserole pour éviter tout risque de surchauffe lorsqu'une casserole bout à sec. En cas de températures trop élevées, le niveau de cuisson est automatiquement réduit ou la plaque de cuisson s'éteint automatiquement.

Limiteur de temps de cuisson



Le limiteur de temps de cuisson est une fonction de sécurité de votre appareil de cuisson. Il fonctionnera si vous oubliez d'éteindre votre plaque de cuisson. En fonction du niveau de puissance que vous avez choisi, le temps de cuisson sera limité comme suit :

Niveau de puissance	Durée maximale de fonctionnement (en heures, minutes)
1	8 heures, 36 minutes.
2	6 heures, 42 minutes.
3	5 heures, 18 minutes.
4	4 heures, 18 minutes.
5	3 heures, 30 minutes.
6	2 heures, 18 min.
7	2 heures, 18 min.
8	1 heure, 48 min.
9	1 heure, 30 minutes.
P (boost)	5 min (puis repasse au niveau 9)

Gestion de l'énergie

Deux zones de cuisson, l'une devant l'autre, s'effacent mutuellement. Lorsque ces deux zones de cuisson sont allumées en même temps, la puissance est automatiquement partagée entre elles. Lorsque la fonction Boost est sélectionnée, l'autre zone de cuisson est réglée sur un réglage légèrement inférieur. Si une zone de cuisson est réglée sur le mode « boost » et que vous voulez régler l'autre sur le mode 9, la zone de cuisson avec « boost » passera automatiquement à un réglage inférieur. La fonction de chauffage automatique est désactivée.

VOTRE PLAQUE À INDUCTION

Utilisation des touches tactiles et de touche coulissante

Placez le bout de votre doigt à plat sur une touche ou sur la touche coulissante pour obtenir les meilleurs résultats. Vous ne devez pas exercer de pression. Les touches tactiles ne réagissent qu'à la légère pression du bout du doigt.

N'utilisez pas les commandes avec d'autres objets.

Bruits d'induction

Un tic-tac

Ceci est dû au limiteur de capacité des zones gauche et droite. Le tic-tac peut également se produire à des niveaux de cuisson plus faibles.

Les casseroles font du bruit

Les casseroles peuvent faire du bruit pendant la cuisson. Ce phénomène est dû à l'énergie qui circule de la plaque de cuisson à la casserole. À des niveaux élevés, cela est parfaitement normal pour certaines casseroles. Il n'endommagera ni les casseroles ni la plaque de cuisson.

Le ventilateur fait du bruit

Pour augmenter la durée de vie de l'électronique, l'appareil est équipé d'un ventilateur. Si vous utilisez l'appareil de manière intense, le ventilateur est activé pour refroidir l'appareil et vous entendrez un bourdonnement. Le ventilateur fonctionne pendant plusieurs minutes après l'arrêt de la plaque de cuisson.

Des casseroles appropriées

La cuisson par induction nécessite une casserole avec un fond plat et épais (minimum 2,25 mm). Utilisez des casseroles en matériau magnétique ou des casseroles à fond sandwich. Les casseroles en cuivre, en aluminium ou en céramique ne sont pas appropriées.



N'utilisez que des casseroles à fond plat. Un fond creux ou arrondi peut interférer avec le fonctionnement de la protection contre la cuisson à vide, ce qui entraîne une surchauffe de l'appareil.

Cela peut entraîner des dommages. Dommages causés par l'utilisation de casseroles non appropriées ou que la cuisson à sec est exclue de la garantie.



Les casseroles qui ont été utilisées sur une plaque à gaz ne peuvent pas être utilisées sur une plaque à induction.



Attention aux fines poêles en tôle d'acier émaillée ! L'émail peut être endommagé à de hauts paramètres si la poêle est trop sèche. Les paramètres à haut niveau de puissance peuvent provoquer la déformation du fond de la casserole.

AVANT LA PREMIÈRE UTILISATION



Attention

Assurez-vous que le fond de la casserole et la surface de la zone de cuisson sont propres et secs. Nous vous recommandons de soulever les casseroles et de ne pas les faire glisser sur la plaque de cuisson.

Détection casserole

- Si la plaque de cuisson ne détecte pas de casserole (appropriée) après avoir placé une casserole sur une zone de cuisson, le symbole de détection de casserole clignote à l'écran. Après 20 secondes, la zone de cuisson s'éteint.
- Si vous retirez une casserole de la zone de cuisson pendant la cuisson, le symbole de détection de casserole s'affiche. La zone de cuisson s'éteint. Le symbole disparaît lorsque vous remettez la casserole en place.
La zone de cuisson se remet en marche avec le niveau de puissance réglé auparavant.
- La détection automatique de casserole (réglable : active par défaut) détecte automatiquement une casserole qui est posée sur une zone de cuisson. L'affichage de cette zone de cuisson s'allume plus intensément.

Niveaux de cuisson

Les zones de cuisson ont 9 niveaux et un niveau « boost » (P). Réglez le niveau de cuisson par contact et glissez sur la touche coulissante. En glissant sur la touche coulissante, on modifie le réglage de la cuisson. En se déplaçant vers la droite, le niveau augmente, tandis qu'en se déplaçant vers la gauche, le niveau diminue. Lorsque vous éloignez votre doigt de la touche coulissante, la zone de cuisson commence à fonctionner au niveau réglé.

Fonction Boost

- Vous pouvez utiliser la fonction « boost » pour cuire au niveau de cuisson le plus élevé pendant une courte période (5 minutes maximum). Après la durée maximale du boost, la puissance sera réduite au réglage 9.

AVANT LA PREMIÈRE UTILISATION

Directives de cuisson

Comme les niveaux dépendent de la quantité et de la composition du contenu de la casserole, le tableau ci-dessous n'est donné qu'à titre indicatif.

Utilisez le niveau « boost » pour :

- porter rapidement à ébullition l'aliment ou le liquide ;
- des verts « rétrécis » ;
- chauffer l'huile et la graisse ;
- wok.

Utilisez le niveau 9 pour :

- saisir les viandes ;
- faire cuire le poisson ;
- faire des omelettes ;
- faire frire les pommes de terre bouillies ;
- les aliments frits.

Utilisez les niveaux 7 et 8 pour :

- faire frire des crêpes épaisses et faire du pain perdu ;
- faire frire des tranches épaisses de viande panée ;
- faire frire du poisson pané ;
- faire frire le bacon (graisse) ;
- cuire les pommes de terre crues ;
- faire cuire les pâtes ;
- faire frire de fines tranches de viande (panées).

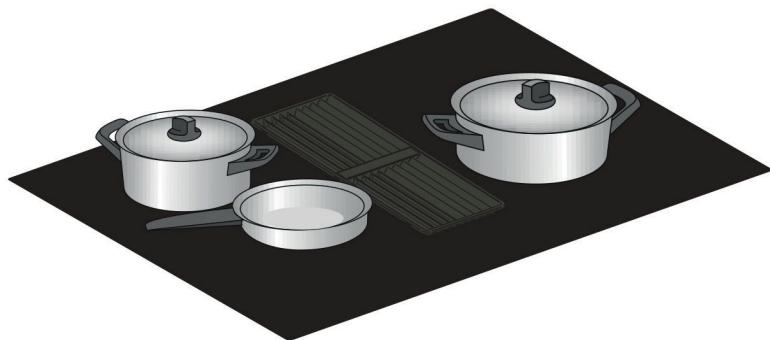
Utilisez le niveau 4-6 pour :

- compléter la cuisson de grandes quantités ;
- décongeler les légumes durs ;
- faire frire des tranches épaisses de viande panée.

Utilisez le niveau 1-3 pour :

- faire mijoter le bouillon ;
- les viandes en ragoût ;
- faire mijoter les légumes ;
- faire fondre le chocolat ;
- pocher ;
- faire fondre le fromage.

AVANT LA PREMIÈRE UTILISATION

Utilisation du courant descendant

- ▷ Placez le couvercle en biais sur la casserole, avec l'ouverture du côté de l'extraction. Cela garantit une extraction maximale.



FONCTIONNEMENT DE LA PLAQUE DE CUISSON

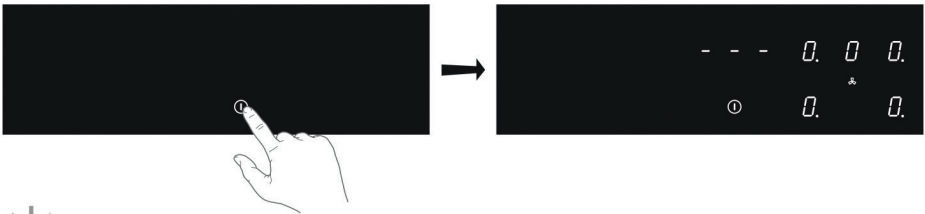


Veillez lire attentivement le chapitre « Avant la première utilisation » avant de commencer à cuisiner.

Cela permet d'éviter une utilisation incorrecte de la plaque de cuisson.

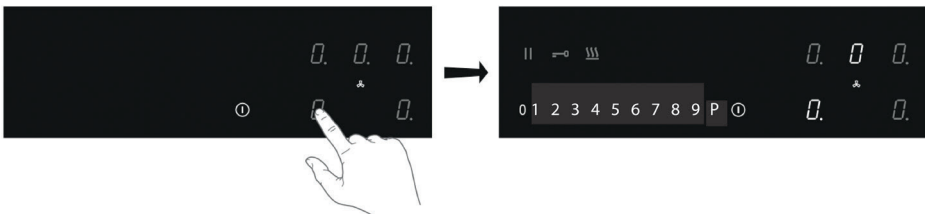
Commencez à cuisiner

1. Touchez et maintenez la touche marche/arrêt jusqu'à ce que vous entendiez un signal audio.
 - ▷ Tous les affichages s'allument ; la plaque à induction est en mode veille.
 - ▷ Les zones de cuisson et l'unité d'extraction ont le niveau de puissance zéro.



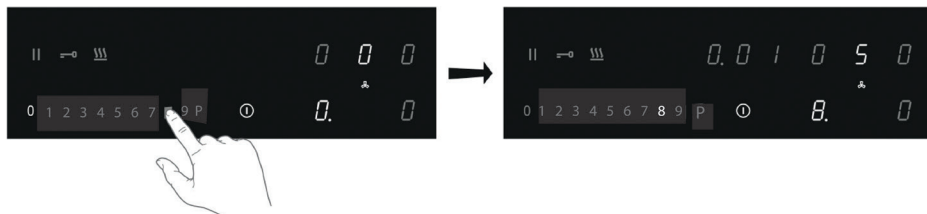
Si la plaque de cuisson n'est pas utilisée pendant 20 secondes, elle s'éteint automatiquement.

2. Placez une casserole appropriée sur la zone de cuisson.
 - ▷ La zone de cuisson détecte automatiquement le récipient ; l'affichage de cette zone de cuisson s'allume plus intensément.
3. Tant que l'affichage de la zone de cuisson s'allume, la zone de cuisson est sélectionnée et le niveau de puissance peut être réglé.
3. Lorsque le temps de réponse s'est écoulé, ou pendant la cuisson, vous pouvez activer la zone de cuisson en sélectionnant manuellement l'affichage de la zone de cuisson souhaitée.



FUNCTIONNEMENT DE LA PLAQUE DE CUISSON

4. Dans les 10 secondes, réglez le niveau de puissance en touchant la touche coulissante.
 - ▷ La zone de cuisson démarre au niveau qui a été réglé.



Boost

Vous pouvez utiliser la fonction boost pour cuire pendant max. 5 minutes au niveau de cuisson le plus élevé. Vous pouvez utiliser la fonction Boost pour un maximum de deux zones de cuisson côte à côte en même temps.

1. Touchez le niveau de puissance P pour sélectionner la fonction Boost.
 - ▷ P s'affiche à l'écran.
 - ▷ Après la durée maximale du boost, la puissance sera réduite au niveau de puissance 9.

Symbole de détection de pan

Lorsque le symbole de détection de la casserole apparaît à l'écran :



- vous n'avez pas placé une casserole sur la bonne zone de cuisson ;
- la casserole que vous utilisez n'est pas adaptée à la cuisson par induction ;
- la casserole est trop petit ou mal centré sur la zone de cuisson.
 - ▷ La zone de cuisson ne fonctionne que si une casserole appropriée se trouve sur la zone de cuisson.

FONCTIONNEMENT DE LA PLAQUE DE CUISSON

Fin de la cuisson

1. Réglez le niveau de puissance sur '0' pour éteindre la zone de cuisson.
2. Éteignez la plaque à induction en appuyant sur la touche Marche/Arrêt.



Le symbole **H** apparaît sur l'écran de la zone de cuisson qui est trop chaude pour être touchée. Le symbole disparaît lorsque la surface a refroidi à une température sûre. Elle peut également être utilisée comme une fonction d'économie d'énergie ; si vous voulez chauffer d'autres casseroles, utilisez la zone de cuisson qui est encore chaude.

Activez la fonction de chauffage automatique

Cette fonction règle la zone de cuisson au niveau le plus élevé afin d'amener rapidement votre casserole à la température requise. Après un intervalle de temps donné, le niveau de puissance revient au niveau établi. Cette fonction est disponible pour les niveaux de puissance 1 à 8.

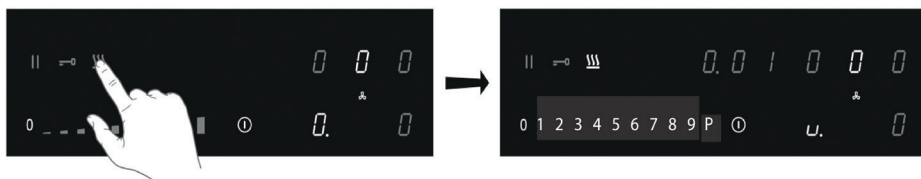
Niveau de puissance	Temps de chauffage (secondes)
1	48
2	144
3	230
4	312
5	408
6	120
7	168
8	216

1. Allumez la plaque de cuisson et sélectionnez la zone de cuisson souhaitée.
2. Touchez et maintenez la touche coulissante pendant au moins 3 secondes au niveau souhaité (de 1 à 8).
 - *Un 'A' apparaît sur l'écran en alternance avec le niveau de puissance sélectionné. Une fois le temps de chauffe automatique écoulé, la zone de cuisson passe automatiquement au niveau sélectionné qui s'affiche en permanence sur l'écran.*
3. Pour arrêter la fonction de chauffage automatique, sélectionnez la zone de cuisson et touchez la touche coulissante.

FONCTIONNEMENT DE LA PLAQUE DE CUISSON

Activez la fonction de maintien au chaud

1. Allumez la plaque de cuisson et placez une casserole appropriée sur une zone de cuisson.
2. Appuyez sur la touche de la zone de cuisson souhaitée.
 - ▷ Le '0' de la zone de cuisson sélectionnée s'allume clairement et un seul bip sonore retentit.
3. Appuyez sur la touche de maintien au chaud.
 - ▷ Le symbole de maintien au chaud 'u' apparaît à l'écran. La fonction de maintien au chaud est sélectionnée.



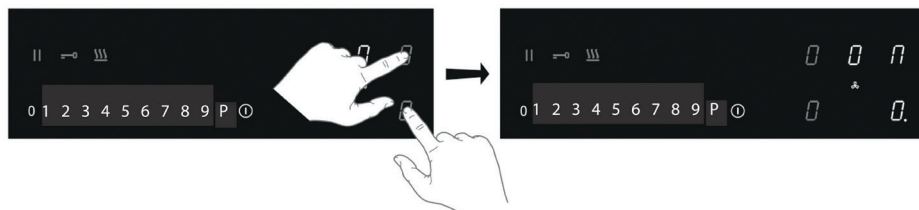
4. Réglez le niveau de puissance sur '0' ou appuyez sur la touche de maintien au chaud pour désactiver la fonction de maintien au chaud.

Raccordement des zones de cuisson à induction Bridge

Deux zones de cuisson à induction Bridge peuvent être reliées l'une à l'autre. Cela crée une grande zone qui peut être utilisée, par exemple, avec une plaque de gril ou une poêle à poisson sur le même niveau de puissance. La casserole doit être suffisamment grande pour couvrir les centres de la zone de cuisson à induction Bridge avant et arrière (au moins 22 cm).

Connexion des zones de cuisson à induction Bridge

1. Allumez la plaque de cuisson.
2. Touchez simultanément les touches de la zone de cuisson de droite.
 - ▷ L'écran de la zone de cuisson arrière affiche un symbole de connexion pour indiquer que les deux zones de cuisson sont connectées.

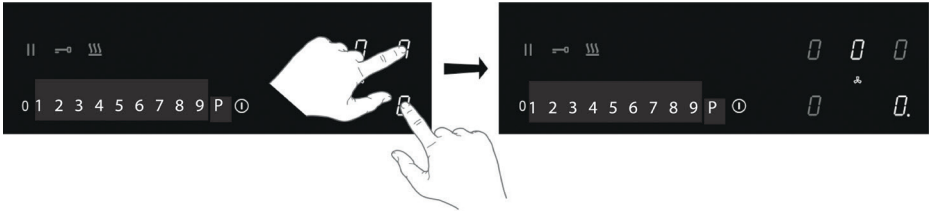


3. Réglez le niveau de puissance en touchant la touche coulissante.
 - ▷ L'affichage de la zone de cuisson avant indique le niveau de puissance.

FONCTIONNEMENT DE LA PLAQUE DE CUISSON

Déconnexion des zones de cuisson à induction Bridge

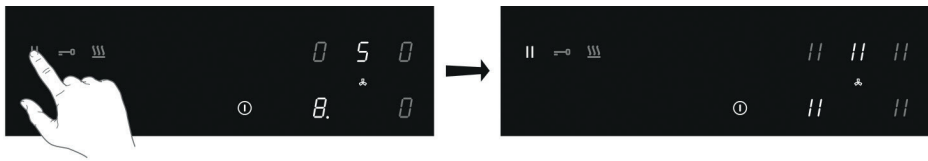
1. Touchez simultanément les touches de zones de cuisson des zones de cuisson connectées.
 - ▷ Le symbole de connexion disparaît de l'affichage de la zone de cuisson arrière.



Pause de la cuisson

Cette fonction interrompt temporairement l'activité de cuisson (10 minutes maximum) ; l'extraction passe au réglage le plus bas et les minuteries sont mises en pause.

1. Appuyez sur la touche pause.
 - ▷ Tous les écrans affichent le symbole de la pause.



2. Pour poursuivre la cuisson, appuyez sur la touche pause pendant au moins 1 seconde jusqu'à ce qu'elle clignote.
3. Appuyez sur n'importe quelle autre touche dans les 10 secondes et le processus de cuisson se poursuivra.
 - ▷ La plaque de cuisson s'éteint automatiquement après 10 minutes si la fonction pause n'est pas désactivée entre-temps.

Fonction de rappel

Si la plaque de cuisson a été éteinte accidentellement à l'aide de la touche Marche/Arrêt, tous les réglages peuvent être rétablis grâce à la fonction de rappel.

1. Appuyez à nouveau sur la touche marche/arrêt dans les 6 secondes.
 - ▷ La touche pause clignote.
2. Touchez la touche pause dans les 6 secondes.
 - ▷ Les paramètres précédents sont à nouveau actifs.

FONCTIONNEMENT DE LA PLAQUE DE CUISSON

Utilisation de la minuterie

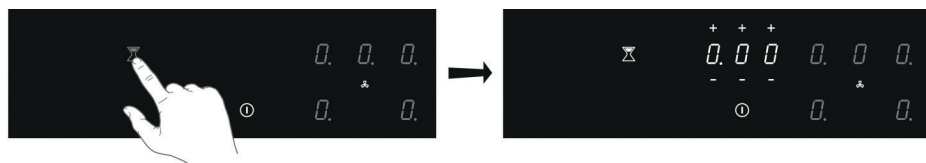


La minuterie n'est pas connectée à une zone de cuisson. La minuterie ne permet pas d'éteindre une zone de cuisson ou l'unité d'extraction.

La plaque de cuisson est allumée.

1. Appuyez sur la touche de la minuterie pour la mettre en marche.

- ▷ L'affichage de la minuterie indique '0.00'.



2. Utilisez la touche '+' ou '-' pour régler l'heure souhaitée (de 1 minute à 9 heures et 59 minutes).

- ▷ La position gauche de l'affichage de la minuterie indique les heures, les autres positions indiquent les minutes.
- ▷ Lorsque l'heure est réglée, le compte à rebours commence.
- ▷ L'affichage de la minuterie indique le temps restant.
- ▷ Les 10 dernières minutes s'affichent en minutes et secondes.
- ▷ La minuterie clignote et l'alarme émet un signal sonore une fois la durée programmée écoulée.

3. Touchez l'affichage de la minuterie pour arrêter l'alarme.

- ▷ L'alarme s'arrête automatiquement après 2 minutes.



Appuyez sur la touche key de la minuterie, puis sur la touche '-' pour régler l'heure sur '0.00' afin de désactiver la minuterie avant que le temps ne soit écoulé.



Lorsque la plaque de cuisson est éteinte, appuyez deux fois sur la touche marche/arrêt pour éteindre la minuterie minute avant que le temps ne soit écoulé.

FONCTIONNEMENT DE LA PLAQUE DE CUISSON

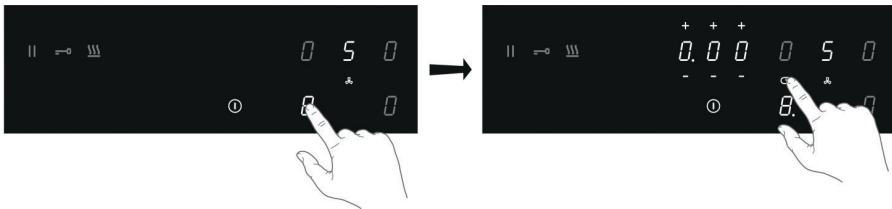
Utilisation de la minuterie de cuisson



Le minuteur de cuisson est relié à une zone de cuisson. Une fois le temps programmé écoulé, la zone de cuisson s'éteint automatiquement.

La plaque de cuisson est allumée et un niveau de puissance a été réglé pour au moins une zone de cuisson.

1. Appuyez sur la touche de la zone de cuisson souhaitée.
2. Touchez le symbole de la minuterie.
 - ▷ Le symbole de la minuterie de cuisson active s'illumine.
 - ▷ L'affichage de la minuterie indique '0.00'.



3. Utilisez la touche '+' ou '-' pour régler l'heure souhaitée (de 1 minute à 9 heures et 59 minutes).
 - ▷ La position gauche de l'affichage de la minuterie indique les heures, les autres positions indiquent les minutes.
 - ▷ Lorsque l'heure est réglée, le compte à rebours commence et le symbole de la minuterie clignote lentement.
 - ▷ L'affichage de la minuterie indique le temps restant.
 - ▷ Les 10 dernières minutes s'affichent en minutes et secondes.
 - ▷ La zone de cuisson sélectionnée s'éteint automatiquement une fois le temps programmé écoulé.
 - ▷ La minuterie clignote et l'alarme émet un signal sonore une fois la durée programmée écoulée.
4. Touchez le symbole de la minuterie pour arrêter l'alarme.
 - ▷ L'alarme s'arrête automatiquement après 2 minutes.



Toutes les zones de cuisson peuvent avoir une minuterie de cuisson réglée. L'écran affiche toujours le temps de la zone de cuisson dont le temps restant est le plus court.

Modification du temps de cuisson pré-réglé

Le temps de cuisson peut être modifié à tout moment pendant l'opération.

1. Appuyez sur la touche de la zone de cuisson concernée.
2. Touchez le symbole de la minuterie.
3. Utilisez la touche '+' ou '-' pour modifier l'heure.

FONCTIONNEMENT DE LA PLAQUE DE CUISSON

Vérification du temps de cuisson restant

- Appuyez sur la touche de la zone de cuisson pour sélectionner la zone dont vous voulez voir le temps restant.
 - Une zone connectée à la minuterie de cuisson est identifiée par un symbole de minuterie clignotant au-dessus de l'affichage de la zone de cuisson.
 - La minuterie affiche le temps restant de la zone de cuisson sélectionnée.
 - Pendant les 10 dernières minutes du compte à rebours, le temps restant s'affiche en minutes et en secondes.

Arrêt de la minuterie de cuisson

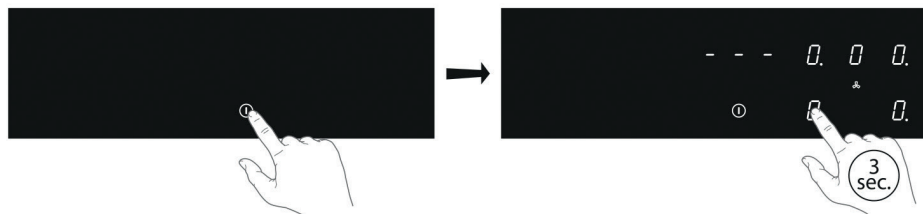
Si vous voulez éteindre le minuteur de cuisson avant la fin du temps programmé :

- Effleurez la touche de la zone de cuisson pour sélectionner la zone dont vous voulez désactiver la minuterie de cuisson.
 - Une zone connectée à la minuterie de cuisson est identifiée par un symbole de minuterie clignotant au-dessus de l'affichage de la zone de cuisson.
- Touchez le symbole de la minuterie.
- Appuyez sur la ou les touches '-' pour régler l'heure sur '0.00'.
 - Le symbole de la minuterie n'est plus éclairé.
- Confirmez le réglage ; touchez à nouveau le symbole de la minuterie.

Verrouillage de sécurité pour les enfants

Pour activer la sécurité enfant, les étapes décrites doivent être effectuées dans les 10 secondes.

- Allumez la plaque de cuisson.
- Touchez et maintenez enfoncée l'une des touches de la zone de cuisson pendant 3 secondes.



- Relâchez et faites glisser votre doigt de 0 à 9 le long de la touche coulissante.

- Tous les écrans affichent le symbole "L".

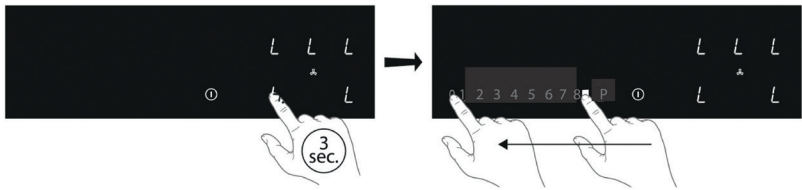


FONCTIONNEMENT DE LA PLAQUE DE CUISSON

La plaque de cuisson est maintenant verrouillée. Il empêche toute mise en marche involontaire. Après 20 secondes, la plaque de cuisson s'éteint automatiquement.

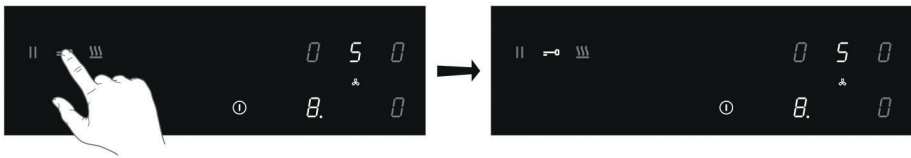
Pour désactiver la sécurité enfant, les étapes décrites doivent être effectuées dans les 10 secondes.

1. Allumez la plaque de cuisson.
2. Touchez et maintenez enfoncée l'une des touches de la zone de cuisson pendant 3 secondes.
3. Relâchez et faites glisser votre doigt de 9 à 0 le long de la touche coulissante.



Fonction de verrouillage pour un nettoyage rapide pendant la cuisson

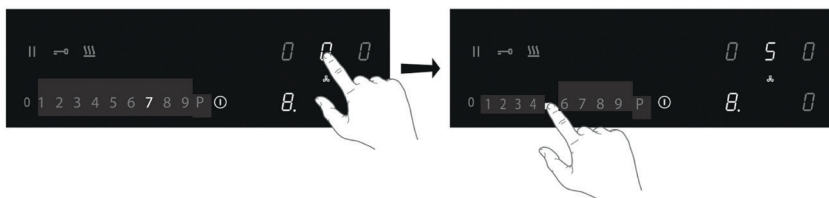
1. Appuyez sur la touche de verrouillage.
 - ▷ La touche de verrouillage s'allume ; les paramètres de la plaque de cuisson sont verrouillés pour permettre un nettoyage rapide.
2. Appuyez à nouveau sur la touche de verrouillage après le nettoyage rapide pour désactiver la fonction.



FUNCTIONNEMENT DE L'UNITÉ D'EXTRACTION

Mise en marche et arrêt manuels de l'unité d'extraction

1. Appuyez sur la touche d'extraction.
 - ▷ *L'écran de l'unité d'extraction s'allume.*
2. Réglez le niveau de vitesse de l'extracteur dans les 3 secondes en touchant la touche coulissante (1 à 9).
 - ▷ *L'unité d'extraction se met en marche avec la vitesse d'extraction qui est réglée.*
 - ▷ *Réglez un niveau supérieur ou inférieur avec la touche coulissante.*



3. Réglez le niveau de vitesse de l'extracteur sur '0' pour éteindre l'unité d'extraction.
4. Éteignez la plaque à induction en appuyant sur la touche marche/arrêt.



En mode de recirculation, l'unité d'extraction fonctionne en mode de suivi pendant 20 minutes supplémentaires lorsque la plaque de cuisson est éteinte.

Boost

Vous pouvez utiliser la fonction boost pour extraire pendant max. 6 minutes au niveau le plus élevé.

1. Touchez le niveau P pour sélectionner la fonction de renforcement.
 - ▷ *l'écran affiche 'P'.*
 - ▷ *Après la durée maximale du boost, le niveau de vitesse de l'extracteur sera réduit au niveau 9.*



En mode recirculation, il n'y a pas de limite de temps et la fonction boost reste active.

2. Réglez le niveau de vitesse de l'extracteur sur '0' pour éteindre l'unité d'extraction.
3. Éteignez la plaque à induction en appuyant sur la touche marche/arrêt.

FONCTIONNEMENT DE L'UNITÉ D'EXTRACTION

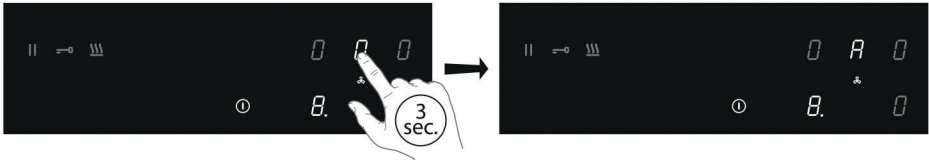
Activation et désactivation du mode d'extraction automatique



En mode d'extraction automatique, le niveau d'extraction s'adapte automatiquement à l'utilisation des zones de cuisson.

Une zone de cuisson est en cours de fonctionnement (niveau 8) et le mode d'extraction automatique est actif (niveau 5).

1. Appuyez sur la touche d'extraction pendant trois secondes.
 - ▷ l'écran affiche 'A'.



2. Touchez à nouveau la touche d'extraction pendant trois secondes pour désactiver le mode d'extraction automatique.

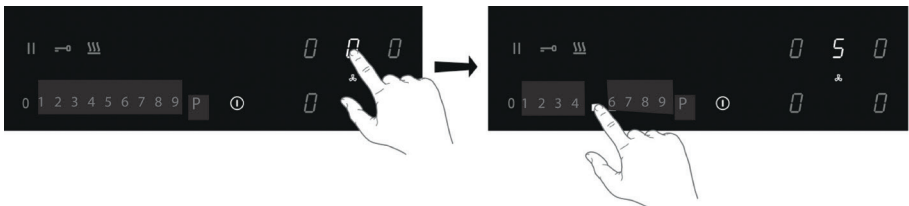
Définir un nombre de minutes de retard

Cette fonction permet d'éteindre l'unité d'extraction avec un retard de plusieurs minutes.



Le mode d'extraction automatique doit être désactivé.

1. Allumez la plaque de cuisson.
2. Appuyez sur la touche d'extraction et définissez un niveau de vitesse d'extraction.

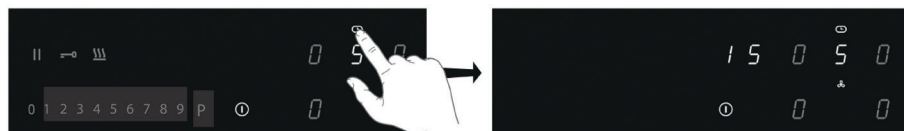


3. Touchez le symbole de la minuterie.
 - ▷ Le symbole de la minuterie de l'unité d'extraction s'allume.

FUNCTIONNEMENT DE L'UNITÉ D'EXTRACTION

4. Utilisez la touche '+' ou '-' pour régler le temps de retard souhaité.

- ▷ Le compte à rebours démarre automatiquement.
- ▷ L'unité d'extraction s'éteint après la durée programmée.



Saturation du filtre à graisse

Après 30 heures de fonctionnement, l'écran de l'unité d'extraction affiche alternativement 'F' et 'G' ; il est nécessaire d'effectuer l'entretien du filtre à graisse (voir « Entretien/Nettoyage des filtres »). L'indication de la saturation du filtre à graisse est toujours activée.

Saturation du filtre à odeurs

Par défaut, l'indication de saturation du filtre à odeurs est désactivée (lorsque l'extraction fonctionne en mode canalisé). Activez l'indication de la saturation du filtre à odeurs si l'unité d'extraction est installée en tant qu'application de recirculation ; voir « Menu utilisateur ».

Après 120 heures de fonctionnement, l'écran de l'unité d'extraction affiche alternativement "F" et "C" ; il est nécessaire de procéder à l'entretien du filtre anti-odeurs (voir « Entretien »).

- Lorsqu'un filtre combiné odeur/poussière fine est utilisé, le filtre doit être remplacé au plus tard après 1 an.

Remise à zéro de la mémoire de l'indication de saturation du filtre

Réinitialiser la mémoire après le remplacement du filtre à graisse et/ou du filtre à odeurs

1. Allumez la plaque de cuisson.
2. Touchez et maintenez la touche d'extraction pendant 3 secondes.
 - ▷ Sur l'écran de l'extracteur, les lettres 'F' et 'G' ou 'F' et 'C' disparaissent et la mémoire recommence à compter.

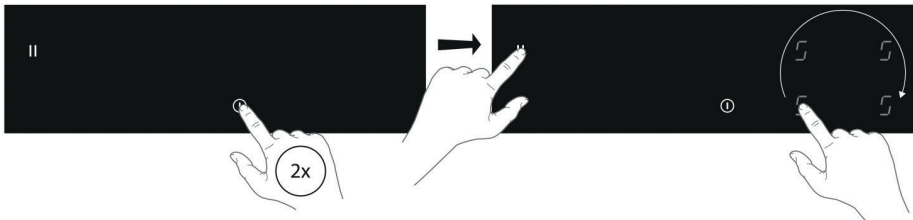
MENU UTILISATEUR

Le menu utilisateur permet à l'utilisateur de régler entre autres les signaux de la plaque de cuisson comme il le souhaite. Cela concerne aussi bien les signaux sonores (tonalité et volume) que visuels.

Code du menu	Description	Valeur de configuration
U0	Puissance totale disponible pour l'appareil	De 1400W à 7400W (par défaut) dans 100W étapes
U1	Mode canalisé / mode de recirculation	0 : mode canalisé (par défaut) 1 : mode recirculation
U2	Volume du son de la touche	0 (désactivé) - 1 - 2 - 3 max. (par défaut)
U3	Signal d'alarme de volume	0 (désactivé) - 1 - 2 - 3 max. (par défaut)
U4	Affichage du niveau d'éclairage	Max. 0 (par défaut) - 1 - 2 - 3 - 4 - 5 - 6 - 7 - 8 - 9 Min.
U5	Animation du compte à rebours	0 : désactivé (par défaut) 1 : activé
U6	Détection automatique de casserole	0 : désactivé 1 : on (par défaut)
U7	Compte à rebours du signal audio	0 : signal audio pendant 120 secondes (par défaut) 1 : signal audio pendant 10 secondes 2 : pas de signal audio

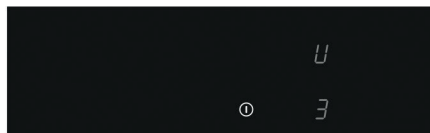
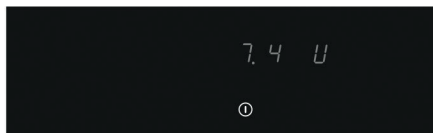
Ouvrir le menu utilisateur

- Appuyez deux fois sur la touche marche/arrêt dans les trois secondes.
 - *La touche pause clignote.*
- Touchez et maintenez la touche pause.
- Ensuite, touchez chaque touche de zone de cuisson dans le sens des aiguilles d'une montre (commencez par la touche de zone de cuisson située à l'avant gauche).



MENU UTILISATEUR

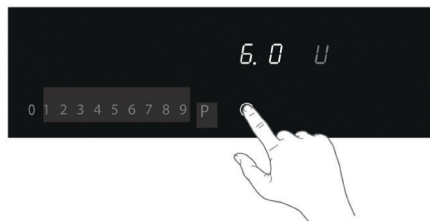
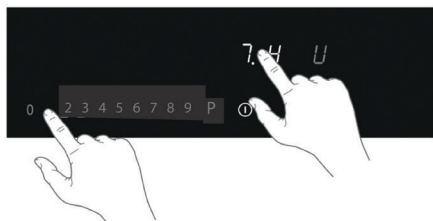
4. Relâchez la touche pause.
 - ▷ 'U' clignote en alternance avec le chiffre '0' sur l'affichage de la zone de cuisson à l'arrière gauche.
 - ▷ Avec le code de menu U0, la valeur de configuration apparaît dans l'affichage de la minuterie.
 - ▷ Pour tous les autres codes de menu, la valeur de configuration apparaît dans l'affichage de la zone de cuisson à l'avant gauche.



Code menu U0 (puissance maximale totale)

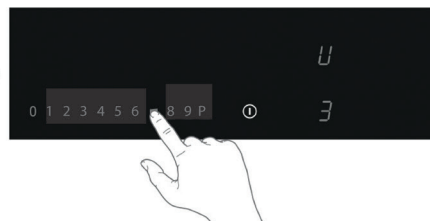
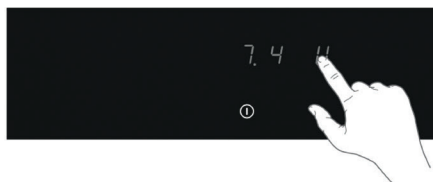
Si l'installation électrique de votre maison présente des limites de courant différentes, la consommation maximale de la plaque de cuisson peut être réduite.

1. Vous avez ouvert le menu utilisateur.
2. Touchez une fois l'affichage de la minuterie et utilisez le côté gauche de la touche coulissante pour diminuer la puissance de 0,1 kW par étape. Utilisez le côté droit de la touche coulissante pour augmenter la puissance de 0,1 kW par étape.
3. Confirmez le réglage ; touchez et maintenez la touche marche/arrêt jusqu'à ce que vous entendiez un signal audio.



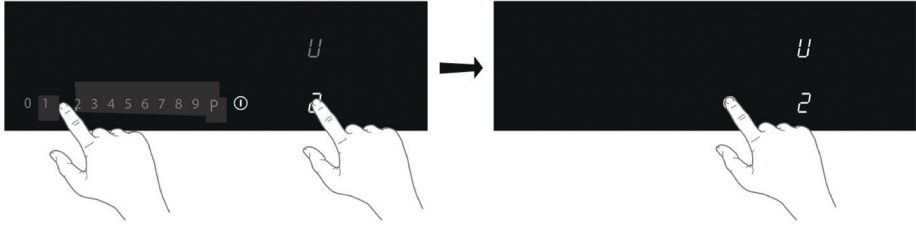
Code de menu U1 - U7

1. Vous avez ouvert le menu utilisateur.
2. Appuyez sur la touche de la zone de cuisson à l'arrière gauche et choisissez le numéro correct du code de menu (voir tableau).



MENU UTILISATEUR

3. Appuyez sur la touche de la zone de cuisson à l'avant gauche et sélectionnez la valeur correcte (voir tableau).
4. Confirmez le réglage ; touchez et maintenez la touche marche/arrêt jusqu'à ce que vous entendiez un signal audio.



LIMITEUR DE PUISSANCE



Le réglage du limiteur de puissance ne doit être effectué que par un installateur agréé et qualifié. Veuillez lire attentivement les règles de sécurité et les instructions d'installation.

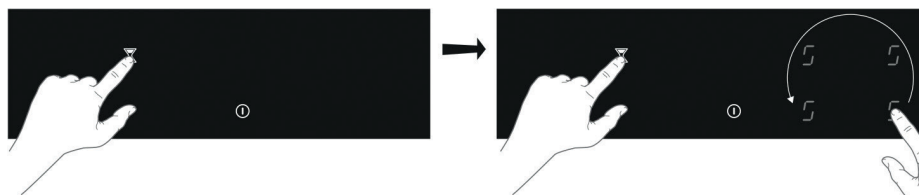
La plaque de cuisson est équipée d'un limiteur de puissance. Si la puissance totale des zones de cuisson en fonctionnement dépasse la puissance maximale disponible, la puissance est automatiquement réduite. L'affichage de la zone de cuisson dont la puissance est réduite clignote d'abord ; le niveau est ensuite automatiquement réduit à la puissance disponible la plus élevée.

- Le limiteur est réglé à 7400W par l'usine, mais il est possible de modifier ce réglage à 6000W ou 4500W.

Configuration du limiteur de puissance

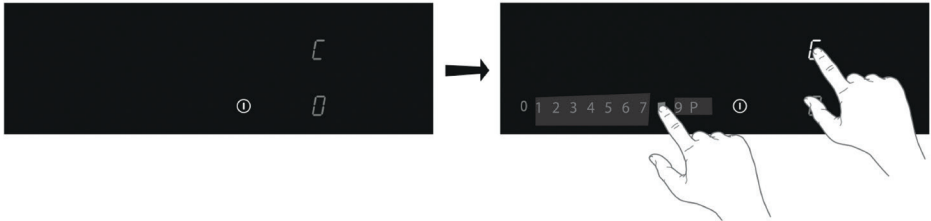
Assurez-vous qu'il n'y a pas de casseroles ou de poêles sur la plaque de cuisson avant de commencer !

1. Débranchez l'appareil de l'alimentation principale en retirant le connecteur d'alimentation de la prise, en retirant le fusible ou en mettant le disjoncteur hors tension.
2. Rebranchez l'appareil.
 - *La touche de la minuterie clignote.*
- **Effectuez, dans les 2 minutes qui suivent le rebranchement de la plaque de cuisson, les étapes suivantes.**
- **Assurez-vous que toutes les zones de cuisson sont éteintes.**
3. Touchez et maintenez la touche de la minuterie.
4. Ensuite, touchez chaque touche de zone de cuisson dans le sens inverse des aiguilles d'une montre (commencez par la touche de zone de cuisson située à l'avant droit).

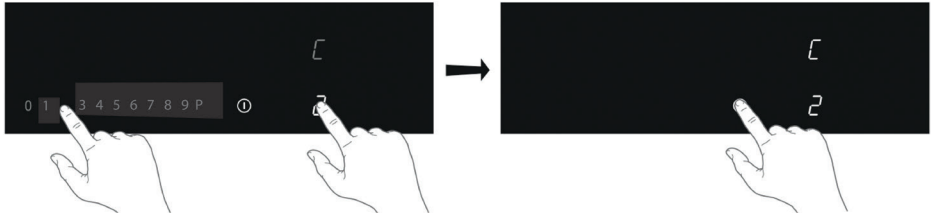


LIMITEUR DE PUISSANCE

5. Relâchez la touche de la minuterie.
 - ▷ 'C' clignote en alternance avec '0' sur l'affichage de la zone de cuisson à l'arrière gauche.
 - ▷ La valeur de la configuration apparaît dans l'affichage de la zone de cuisson à l'avant gauche.
6. Appuyez sur la touche de la zone de cuisson à l'arrière gauche et choisissez '8' à l'aide de la touche coulissante.
 - ▷ 'C' clignote en alternance avec '8' sur l'affichage de la zone de cuisson à l'arrière gauche.



7. Appuyez sur la touche de la zone de cuisson à l'avant gauche et sélectionnez la limitation de puissance souhaitée à l'aide de la touche coulissante .
8. Ensuite, touchez et maintenez la touche Marche/Arrêt jusqu'à ce que tous les segments de l'écran disparaissent.
 - ▷ La plaque de cuisson est maintenant prête à être utilisée avec le limiteur de puissance sélectionné actif.



ENTRETIEN

Nettoyage

Première utilisation

- Utilisez un chiffon humide pour nettoyer et sécher la surface du verre avant de l'utiliser pour la première fois.
- Il est recommandé de sécher l'appareil après l'avoir nettoyé avec un chiffon humide, afin d'éviter la formation de calcaire.

Nettoyage quotidien

- Bien que les aliments renversés ne puissent pas brûler le verre, nous vous recommandons néanmoins de nettoyer la plaque de cuisson immédiatement après utilisation.
- Pour le nettoyage quotidien, le mieux est d'utiliser un chiffon humide avec un produit de nettoyage doux.
- Sécher avec du papier de cuisine ou un torchon sec.

Taches tenaces

- Les taches tenaces peuvent également être enlevées avec un produit de nettoyage doux tel que du liquide vaisselle.
- Enlevez les filigranes et le calcaire avec du vinaigre.
- Les marques métalliques (causées par le glissement des casseroles) peuvent être difficiles à enlever. Des agents spéciaux sont disponibles.
- Utilisez un grattoir à verre pour enlever les restes de nourriture. Le plastique et le sucre fondus s'enlèvent aussi plus facilement avec un grattoir à verre.



N'utilisez jamais d'abrasifs. Ils laissent des rayures dans lesquelles la saleté et le calcaire peuvent s'accumuler. N'utilisez jamais d'objets pointus tels que de la laine d'acier ou des grattoirs.

Filtres et bac de récupération

Filtres à graisse

Sur l'écran de l'unité d'extraction, 'F' et 'G' s'affichent alternativement après 30 heures de fonctionnement de l'unité d'extraction. Les filtres à graisse doivent maintenant être nettoyés.

Ceux-ci doivent être nettoyés une fois par mois (ou lorsque le système d'indication de la saturation du filtre indique cette nécessité). N'utilisez pas de produits de nettoyage agressifs et nettoyez de préférence le filtre manuellement ou dans le lave-vaisselle à basse température et avec un programme court. Placez les filtres avec l'ouverture vers le bas dans le lave-vaisselle afin que l'eau puisse s'écouler. Les produits de nettoyage utilisés dans les lave-vaisselle font que l'aluminium se ternit plus rapidement. C'est normal.

Après le nettoyage et le remplacement des filtres à graisse, réinitialiser la mémoire de l'indication de saturation des filtres.

Filtres de recyclage - (uniquement pour la version filtre)

Les filtres peuvent être restaurés au four, mieux s'ils sont ventilés.

La température du four doit être de 150°-180°, des températures plus élevées pourraient endommager les filtres.

Il est préférable de placer les briques filtrantes sur la grille du four, non préchauffée, et de les laisser refroidir

complètement avant de le retirer.

Le temps nécessaire pour restaurer les filtres est d'au moins deux heures ou même plus, selon le intensité de cuisson.

La restauration doit être effectuée uniquement dans un endroit bien ventilé.

Ne lavez pas les filtres au lave-vaisselle.

Les filtres de recyclage peuvent être restaurés plusieurs fois, mais pour une meilleure efficacité, nous recommandons de remplacer tous les 1 ans.

DÉPANNAGE



Attention

Si vous constatez une fissure dans le plateau en verre (aussi petite soit-elle), éteignez immédiatement la plaque de cuisson et débranchez-la du réseau électrique. Contactez le service après-vente.

Si l'appareil ne fonctionne pas correctement, cela ne signifie pas toujours qu'il est défectueux. Essayez d'abord de résoudre le problème vous-même en consultant le tableau ci-dessous. Vous pouvez également consulter notre site web pour plus d'informations. Si le problème persiste, contactez le service après-vente.

Symptôme	Cause possible	Solution
L'écran s'allume lorsque la plaque de cuisson est activée pour la première fois.	C'est la routine standard de mise en place.	Fonctionnement normal.
Le ventilateur fonctionne pendant plusieurs minutes après l'arrêt de la plaque de cuisson.	La plaque de cuisson refroidit.	Fonctionnement normal.
Une légère odeur est perceptible lors des premières utilisations de la plaque.	Le nouvel appareil est en train de chauffer.	Ceci est normal et disparaîtra après quelques utilisations. Aérez la cuisine.
Les casseroles font un bruit pendant la cuisson.	Ce phénomène est dû à l'énergie qui circule de la plaque de cuisson à la casserole.	À des niveaux élevés, cela est parfaitement normal pour certaines casseroles. Il n'endommagera ni les casseroles ni la plaque de cuisson.
Vous avez allumé une zone de cuisson, mais l'écran affiche u .	La casserole que vous utilisez n'est pas adaptée à la cuisson par induction ou a un diamètre trop petit.	Utilisez une casserole appropriée.
Une zone de cuisson cesse soudainement de fonctionner et vous entendez un signal.	La durée programmée pour la minuterie est terminée.	Appuyez sur la touche gauche ou droite de la minuterie pour arrêter l'alarme.
La plaque de cuisson ne fonctionne pas et rien n'apparaît sur l'écran.	Il n'y a pas d'alimentation électrique en raison d'un câble défectueux ou d'une connexion défectueuse.	Vérifiez les fusibles ou l'interrupteur électrique (s'il n'y a pas de prise).
Un fusible saute dès que la plaque de cuisson est allumée.	La plaque de cuisson a été mal connectée.	Contactez un installateur professionnel.
L s'affiche à l'écran.	Le verrouillage de la sécurité enfant est activé.	Voir le chapitre « Utilisation de la plaque de cuisson/ sécurité enfants ».
Code d'erreur ER 03 .	Vous avez appuyé sur deux ou plusieurs touches en même temps.	N'actionnez pas plus d'une touche en même temps.
	Le panneau de commande est sale ou recouvert d'eau.	Nettoyez le panneau de commande.

DÉPANNAGE

Symptôme	Cause possible	Solution
Code d'erreur ER21 .	Surchauffe.	Laissez refroidir la plaque de cuisson.
Code d'erreur E2 .	Température excessive de l'élément d'induction. Des ustensiles de cuisine vides ont pu être utilisés.	Ne chauffez pas d'ustensiles de cuisson vides.
Code d'erreur E3 .	Mauvaise casserole.	Utilisez des casseroles appropriées.
Code d'erreur E8 .	Dysfonctionnement de l'unité d'extraction. L'unité d'extraction est peut-être bloquée.	Retirez les blocages éventuels et nettoyez l'unité d'extraction.
Autres codes d'erreur.		Contactez le service après-vente.

Atención

Es muy importante conservar este manual de instrucciones junto al *centrale ob*, para poderlo consultar en cualquier momento. En caso de venta o cesión del aparato a otra persona, asegurarse de que el manual sea proporcionado al nuevo usuario para que este conozca el modo de funcionamiento de la campana y las advertencias relacionadas con este. Las advertencias han sido redactadas para preservar la seguridad del usuario por lo que deben ser leídas antes de instalar o utilizar el aparato. Consultar los diseños que aparecen en las páginas iniciales, designados con letras y números, a los que se hace referencia en el texto. Seguir estrictamente las instrucciones que se indican en este manual. Se declina toda responsabilidad por los inconvenientes, daños o incendios provocados al aparato debido al incumplimiento de las instrucciones que aparecen en este manual. La instalación y la conexión eléctrica deben ser realizadas por un técnico especializado. La empresa que suministra el producto no se hará cargo de los daños ocasionados por una instalación incorrecta del producto o un uso inadecuado de este. No modificar jamás las características de este aparato. Placa de cocina de uso doméstico para preparar o calentar platos de comida. No utilizarla para uso profesional. Prohibido utilizar el aparato con finalidad diversa a la indicada. Se debe controlar el aparato durante su funcionamiento. Este aparato puede ser utilizado por niños mayores de 8 años, por personas con capacidades físicas, sensoriales o mentales reducidas o por personas inexpertas; siempre bajo estricta supervisión o si han sido adecuadamente preparados para utilizar el aparato de manera segura y son conocedores del peligro que su uso conlleva.

Los niños no deben jugar con el aparato. Las operaciones de limpieza y mantenimiento del aparato no deben ser realizados por niños sin la vigilancia de un adulto.

Utilizar el dispositivo de bloqueo de los mandos para impedir que los niños enciendan el aparato inadvertidamente o modifiquen sus funciones. Mientras el aparato está funcionando debe estar siempre bajo control.

No controlar la placa utilizando un temporizador externo

Mientras el aparato está funcionando debe estar siempre bajo control.

Comprobar que los niños no puedan alcanzar cazuelas o sartenes calientes. Colocar los mangos de estas en modo que no sobresalgan de la superficie de trabajo, para evitar que se produzcan quemaduras.

Por seguridad, la placa debe ser utilizada solamente tras haber sido colocada adecuadamente.

No aplique guarniciones de silicona entre el cristal y la encimera de trabajo; la eventual sustitución de la placa de cocina podría provocar la rotura del cristal durante su remoción.

Antes de fijar la placa de cocina se debe comprobar que no presente ningún daño. No poner en marcha un aparato dañado, puede ser peligroso.

Si el cable de alimentación estuviese dañado, este deberá ser sustituido exclusivamente por personal cualificado o por un centro de asistencia autorizado.

La adecuada colocación del aparato y su conexión a la red eléctrica debe ser realizada únicamente por personal especializado. La seguridad eléctrica está garantizada sólo si la placa de cocina se conecta a una toma de tierra adecuada. En caso de duda es necesario que un electricista profesional controle la instalación eléctrica. Si el cable de alimentación estuviese dañado, este deberá ser sustituido exclusivamente por personal cualificado o por un centro de asistencia autorizado.

No utilizar alargadores o enchufes con tomas múltiples para conectar la placa de cocina a la red eléctrica, ya que no se puede garantizar la seguridad (ej. riesgo de sobrecalentamiento).

Antes de conectar la placa de cocina se debe comprobar si los datos de la conexión (tensión y frecuencia) que aparecen en la placa coinciden con los datos de la red eléctrica.

Ya que en caso contrario la máquina podría sufrir daños. En caso de duda consultar a un electricista.

Para llevar a cabo actividades de instalación y mantenimiento, o reparaciones, se debe desconectar el aparato de la red eléctrica.

Se deben respetar todas las normas relacionadas con la ventilación

ATENCIÓN: Si la superficie está agrietada, apagar el aparato para evitar posibles descargas eléctricas.

No abrir jamás el revestimiento del aparato. El contacto con piezas con tensión o la modificación de las estructuras eléctricas o mecánicas puede causar daños en el funcionamiento.

La placa de inducción no debe ser utilizada como superficie de trabajo. Los recipientes con superficies rugosas pueden rayar la placa.

Mantener siempre perfectamente secas las zonas de cocción y las bases de los recipientes.

La instalación eléctrica debe tener al principio del equipo un interruptor que garantice una desconexión onnipolar con una apertura de los contactos de al menos 3 mm.

ATENCIÓN: los dispositivos de protección de la placa de cocción deben ser solamente los proyectados por el fabricante del equipo de cocción o los indicados en las instrucciones del fabricante del aparato como adecuados para sus uso, así como los dispositivos de protección de la placa de cocción incorporados en el aparato. El uso de dispositivos de protección no adecuados puede provocar accidentes.

En fase de instalación el equipo debe estar conectado a una alimentación cuya impedancia al sistema debe ser adecuada a un valor de $0,005+j0,005[\text{Ohm}]$.

Peligro de incendio

El aceite y la grasa muy calientes arden con facilidad.

No dejar fuera de control aceite o grasa muy calientes ya que podrían producirse llamas.

Si esto sucediese no se debe intentar apagar las llamas con agua. Utilizar para apagar las llamas una tapa o un plato con un revestimiento ignífugo. Apagar la placa de cocina. No colocar jamás objetos inflamables sobre la placa de cocina.

ATENCIÓN: Peligro de incendio: no dejar jamás objetos sobre la superficie de cocción.

Peligro de sufrir quemaduras

ATENCIÓN: Este aparato y sus piezas alcanzan temperaturas elevadas durante su uso.

Se debe prestar atención para evitar tocar los elementos calientes.

Mantener alejados del aparato a los niños menores de 8 años.

No colocar sobre la placa de inducción objetos como cuchillos, tenedores, cucharas o tapaderas ya que se pueden sobrecalentar.

No calentar contenedores cerrados, por ejemplo latas, sobre las zonas de cocción. La presión generada podría hacer explotar el contenedor.

Recipientes apropiados

Para cocinar por inducción se pueden utilizar únicamente recipientes ferromagnéticos; y concretamente: acero vitrificado, hierro fundido, cazuelas especiales para inducción realizadas con acero inoxidable.

Utilizar exclusivamente cazuelas y sartenes con la base lisa. No introducir ningún objeto entre la base de la cazuela y la placa de vitrocerámica (ej. adaptadores).

Zona de Cocción	Diámetro mínimo
OCTA (single)	110 mm
OCTA (bridged mode)	230 mm

Para saber si los recipientes son adecuados, comprobar que sean atraídos por un imán.

Existe otro tipo de recipiente especial para la cocción por inducción con base no ferromagnética.

Recipientes No apropiados

No utilizar jamás recipientes de: acero fino, vidrio, cerámica, cobre o aluminio. No colocar ningún recipiente vacío sobre la zona de cocción. Podría ocasionar daños.

No colocar ningún recipiente caliente sobre el panel de mandos, sobre los indicadores o en el marco de la placa. Podría ocasionar daños.

Peligro de averías

La evaporación total del líquido contenido en las cazuelas puede ocasionar daños a la placa de vitrocerámica. El fabricante no se hace responsable de los daños ocasionados por este motivo.

El aparato posee un ventilador para la refrigeración. Si bajo la placa de cocina hay un cajón, se debe dejar el espacio adecuado entre el contenido del cajón y la parte inferior del aparato, para no dificultar la ventilación.

Si debajo de la placa de cocina hay un cajón, no se debe meter en este objetos pequeños u hojas de papel que en caso de ser aspirados, podrían romper el ventilador y dificultar la refrigeración del aparato, tampoco se deben colocar objetos inflamables o metálicos ya que podrían calentarse o quemarse.

La encimera de trabajo debe ser plana y horizontal. Los rebajes del mueble deben efectuarse antes de instalar el aparato. Elimine las virutas para no poner en peligro el funcionamiento de los componentes eléctricos.

Si la placa de cocina se monta detrás de la puerta de un mueble, ponerla en funcionamiento sólo si la puerta está abierta.

Cerrar la puerta del mueble sólo cuando el aparato y las señales del calor residual estén apagados.

Si el aparato se coloca sobre un horno o una cocina eléctrica dotada con sistema pirolítico no se debe poner en marcha mientras el procedimiento pirolítico esté activo, ya que puede hacer saltar la protección de sobrecalentamiento de la placa de cocina.

La placa de cocina no debe instalarse sobre el lavavajillas, en cuanto el vapor emitido por el mismo podría ocasionar un mal funcionamiento del circuito electrónico de la placa de cocina.

No utilizar ningún aparato de vapor, ya que el vapor podría introducirse en las piezas sometidas a tensión y provocar un cortocircuito.

Las intervenciones o reparaciones del aparato durante el período de garantía, deben ser realizadas exclusivamente por el servicio de asistencia técnica autorizado por el fabricante; en caso contrario la garantía queda anulada y expira inmediatamente. Si surgen problemas derivados del incumplimiento de esta premisa, el fabricante no considerará válida la garantía.

Sustituir las piezas averiadas o defectuosas con recambios originales: sólo estos garantizan el respeto de las normas de seguridad.

Advertencia para personas con marcapasos: se debe tener en cuenta que en el área cercana al aparato cuando este está en marcha se genera un campo electromagnético.

Después del uso apague la placa de cocinar y no confíe en el detector de ollas.

La posibilidad de que el funcionamiento del marcapasos se altere es muy remota. En caso de duda le recomendamos que se ponga en contacto con el fabricante del marcapasos o con su médico.

Advertencia: no vierta ningún tipo de líquido en la hendidura de aspiración de la campana.

Advertencia: se recomienda sellar con silicona o cinta adhesiva todas las uniones de las tuberías, tanto de los tubos de evacuación como de los empalmes de intersección de las distintas partes.

En caso de instalación en modalidad filtrante, preste especial atención en el posicionamiento de la zona de evacuación de los humos para evitar posibles turbulencias, de manera que no interfieran con la aspiración ni con el plano de cocción.

Al instalar la modalidad filtrante, coloque las tuberías en el interior del zócalo del mueble teniendo en cuenta la evacuación del aire hacia el exterior del antedicho mediante una rejilla a fin de evitar una acumulación de humedad en su interior.

Encienda el dispositivo de aspiración exclusivamente cuando el panel de cobertura esté abierto. Para abrir y cerrar el panel utilice exclusivamente el orificio predispuesto.

La cubeta de recogida líquidos debe vaciarse frecuentemente.

Esta cubeta se ha diseñado para contener aproximadamente 1/2 litro de agua; en caso de que se produjera una pérdida o la caída de líquidos en el dispositivo, apague inmediatamente el aparato y vacíe la cubeta. Si la cantidad de líquido derramado sobre el plano es superior a la cantidad que puede contener la cubeta, apague el dispositivo y póngase en contacto inmediatamente con el servicio de asistencia.

Ruidos

La inducción puede generar un ligero ruido; este puede variar en función del material, el tipo de cazuela y la potencia seleccionada.

Cuando la placa se utiliza con frecuencia, el ventilador de refrigeración se enciende para garantizar la duración del sistema electrónico, generando así un zumbido: este es totalmente normal.

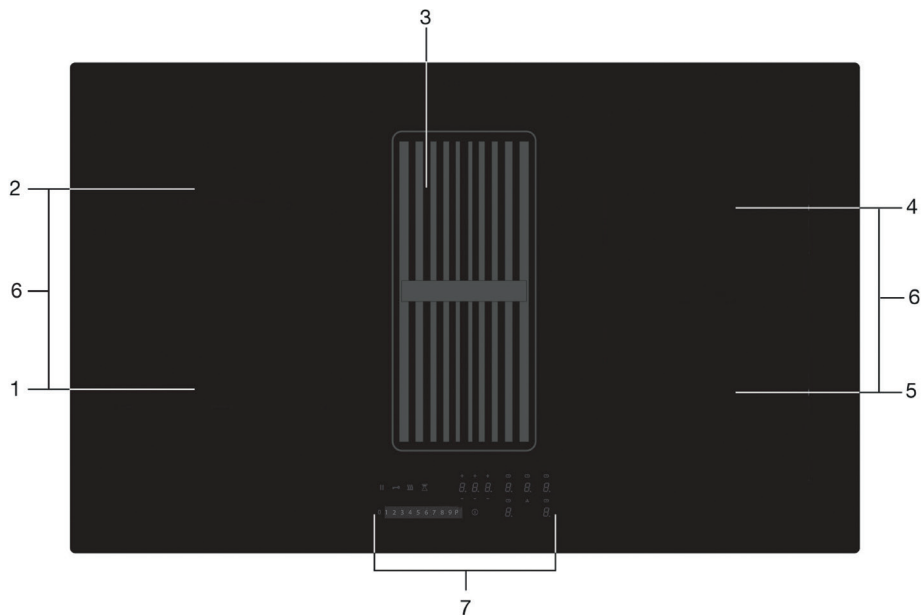
Primer uso

Limpiar la placa de cocina con un paño húmedo y secarla completamente antes de utilizarla por primera vez. Se recomienda secar bien el aparato tras haberlo limpiado con un paño húmedo para evitar que queden residuos de cal.

Cuando se enciende por primera vez el aparato pueden aparecer olores o humos. Con el uso, el olor se reduce hasta desaparecer. La aparición de olores y de humo no es síntoma de problemas en la conexión o de daños en el aparato y estos no son nocivos para la salud.

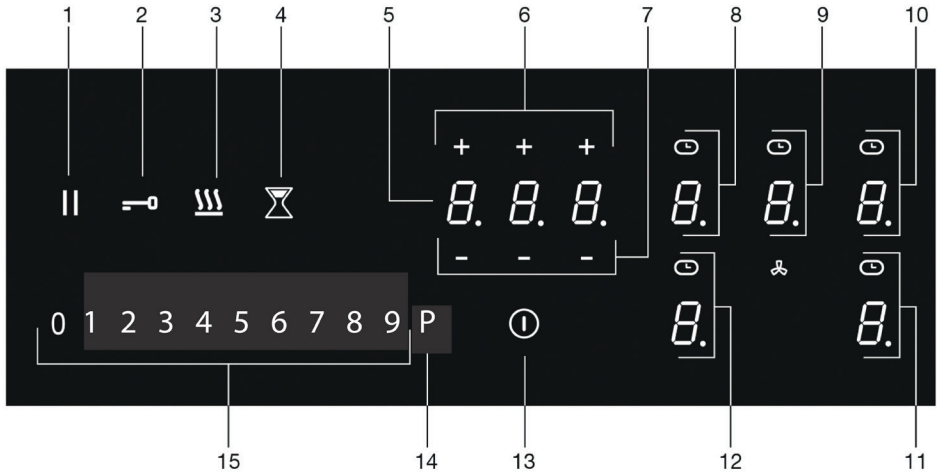
SU PLACA DE INDUCCIÓN

Descripción



1. Zona de cocción frontal izquierda 210 x 190 mm / 2,1 kW (Potencia máxima 3,0 kW)
2. Zona de cocción trasera izquierda 210 x 190 mm / 2,1 kW (Potencia máxima 3,0 kW)
3. Extractor
4. Zona de cocción trasera derecha 210 x 190 mm / 2,1 kW (Potencia máxima 3,0 kW)
5. Zona de cocción frontal derecha 210 x 190 mm / 2,1 kW (Potencia máxima 3,0 kW)
6. Zonas de cocción conectadas 21 x 39 cm / 3,7 kW
7. Panel de control

SU PLACA DE INDUCCIÓN

Descripción

1. Tecla de pausa
2. Tecla de bloqueo
3. Tecla para mantener el calor
4. Tecla del minutero
5. Pantalla del temporizador
6. Tecla para añadir más tiempo
7. Tecla para restar tiempo
8. Tecla de zona de cocción trasera izquierda (pantalla de la zona de cocción) y símbolo del temporizador
9. Tecla de extracción (pantalla del extractor) y símbolo del temporizador
10. Tecla de zona de cocción trasera derecha (pantalla de la zona de cocción) y símbolo del temporizador
11. Tecla de zona de cocción delantera derecha (pantalla de la zona de cocción) y símbolo del temporizador
12. Tecla de zona de cocción delantera izquierda (pantalla de la zona de cocción) y símbolo del temporizador
13. Tecla de encendido/apagado
14. Tecla de potencia máxima
15. Control deslizante (del 0 al 9) para:
 - ▷ Ajustar un valor (nivel de potencia, nivel de velocidad del extractor, minutos)

SU PLACA DE INDUCCIÓN

Indicaciones en la pantalla

Pantalla de la zona de cocción	Descripción
	Nivel de potencia; 1 = nivel bajo / 9 = nivel alto.
	Nivel de potencia máxima activado.
	No hay ninguna cacerola (adecuada) en la zona de cocción (símbolo de detección de cacerolas).
	Indicador de calor residual; la placa tiene un indicador de calor residual en cada zona de cocción que muestra las que todavía están calientes. Aunque la placa de cocción esté apagada, el indicador "H" permanecerá encendido mientras la zona de cocción esté caliente. No toque la placa si el indicador está encendido. ¡Peligro! Riesgo de quemaduras.
	Bloqueo de seguridad para niños activado.
	Función de calentamiento automático activada.
	Función de mantener el calor activada.
	Función de pausa activada.
	Función puente activada.
	Temporizador activado.

Pantalla del extractor	Descripción
	Nivel de velocidad del extractor: 1 = nivel bajo / 9 = nivel alto.
	Nivel de potencia máxima activado.
	"FG": Indicación de saturación del filtro de grasa.
	"FC": Indicación de saturación del filtro de olores.
	Temporizador activado.

Pantalla del temporizador	Descripción
	No se ha configurado el temporizador.
	Se ha programado el temporizador (25 minutos).

SU PLACA DE INDUCCIÓN



Antes de utilizarla, lea las instrucciones de seguridad.

Seguridad de la temperatura

Un sensor mide continuamente la temperatura de determinadas partes de la placa de cocción. Todas las zonas de cocción tienen un sensor que mide la temperatura del fondo de la cacerola para evitar cualquier riesgo de sobrecalentamiento cuando una cacerola hierve en seco. En caso de que las temperaturas suban demasiado, el nivel de cocción se reducirá o la placa se apagará automáticamente.

Limitador de tiempo de cocción



El limitador de tiempo de cocción es una función de seguridad que tiene este electrodoméstico. Se activará en caso de que se olvide de apagar la placa. Según el nivel de potencia que haya elegido, el tiempo de cocción se limitará de la siguiente manera:

Nivel de potencia	Tiempo máximo de funcionamiento (en horas, minutos)
1	8 horas, 36 min.
2	6 horas, 42 min.
3	5 horas, 18 min.
4	4 horas, 18 min.
5	3 horas, 30 min.
6	2 horas, 18 min.
7	2 horas, 18 min.
8	1 hora, 48 min.
9	1 hora, 30 min.
P (Potencia máxima)	5 minutos (luego vuelve al nivel 9)

Gestión de la energía

Dos zonas de cocción, una enfrente de la otra, se conectan entre sí. Cuando estas zonas de cocción se encienden al mismo tiempo, la potencia se comparte automáticamente entre ellas. Cuando se selecciona la función de potencia máxima, la otra zona de cocción se ajustará a un nivel algo inferior. Si una zona de cocción está ajustada en potencia máxima y usted quiere ajustar la otra en la posición 9, la zona de cocción con potencia máxima pasará automáticamente a un nivel más bajo. La función de calentamiento automático estará desactivada.

SU PLACA DE INDUCCIÓN

Uso de las teclas táctiles y del control deslizante

Coloque la punta del dedo en posición horizontal sobre una tecla o el control deslizante para obtener los mejores resultados. No tiene que aplicar ninguna presión. Las teclas táctiles funcionan con una leve presión de la yema del dedo.

No accione las teclas con ningún otro objeto.

Ruidos de inducción

Sonido de tic-tac

Esto se debe al limitador de capacidad de las zonas izquierda y derecha. También se puede producir a niveles de cocción más bajos.

Las cacerolas hacen ruido

Es posible que las cacerolas hagan algo de ruido durante la cocción. Esto se debe a la energía que fluye de la placa de cocción a la cacerola. En niveles altos, esto es absolutamente normal en algunas cacerolas. Esto no dañará ni las cacerolas ni la placa de cocción.

El ventilador hace ruido

Para aumentar la vida útil de los componentes electrónicos, la placa incluye un ventilador. Si utiliza la placa con intensidad, el ventilador se activará para enfriarla y se escuchará un zumbido. El ventilador funciona durante varios minutos después de apagar la placa de cocción.

Cacerolas adecuadas

Las placas de inducción funcionan cuando se utilizan cacerolas de fondo plano y grueso (mínimo 2,25 mm). Utilice cacerolas de material magnético o con fondo sándwich (una capa de aluminio entre dos capas de acero). Las cacerolas de cobre, aluminio o cerámica no son adecuadas.



Utilice solo cacerolas con fondo plano. Un fondo hueco o redondeado puede interferir con el funcionamiento de la protección contra la cocción en vacío, lo que hará que la placa se caliente demasiado.

Esto puede provocar daños. Los daños causados por el uso de cacerolas no adecuadas o que hierven en seco quedan excluidos de la garantía.



Las cacerolas que se hayan utilizado en una placa de gas no se podrán utilizar en una placa de inducción.



Cuidado con las cacerolas finas de acero esmaltado. Es posible que se dañe el esmalte si la cacerola está demasiado seca y se utiliza a altas temperaturas. Si el nivel de potencia es alto, el fondo de la cacerola se puede deformar.

ANTES DEL PRIMER USO



Atención

Asegúrese de que la parte delantera de la cacerola y la superficie de la zona de cocción estén limpias y secas. Se recomienda levantar las cacerolas y no deslizarlas sobre la placa de cocción.

Detección de cacerolas

- Si la placa de cocción no detecta una cacerola (adecuada) después de colocarla sobre la zona de cocción, el símbolo de detección de cacerola parpadeará en la pantalla. Después de 20 segundos, la zona de cocción se apagará.
- Si durante la cocción retira la cacerola de la zona de cocción, se mostrará el símbolo de detección de cacerola. La zona de cocción se apagará. El símbolo desaparece cuando se vuelve a poner la cacerola. La zona de cocción se enciende de nuevo con el nivel de potencia que estaba anteriormente.
- La detección automática de cacerolas (ajustable: activada por defecto) detecta automáticamente una cacerola que se coloca en una zona de cocción. La pantalla de esta zona de cocción se ilumina con mayor intensidad.

Niveles de cocción

Las zonas de cocción tienen 9 niveles y un nivel de potencia máxima (P). Ajuste el nivel de cocción de forma táctil con el control deslizable. Si toca el control deslizable, cambiará el nivel de cocción. Si se mueve hacia la derecha, el nivel aumenta, mientras que si se mueve hacia la izquierda, el nivel disminuye. Cuando retira el dedo del control deslizable, la zona de cocción comienza a funcionar al nivel ajustado.

Función de potencia máxima

- Puede utilizar la función "Potencia máxima" para cocinar al máximo nivel de cocción durante un corto periodo de tiempo (máx. 5 minutos). Después del tiempo de potencia máxima, la temperatura se reducirá al nivel 9.

ANTES DEL PRIMER USO

Pautas para cocinar

Los niveles dependen de la cantidad y de la composición del contenido del recipiente, por lo que la tabla que figura a continuación es solo orientativa.

Utilice la función “Potencia máxima” para:

- Llegar al punto de ebullición más rápido.
- Reducir verduras.
- Calentar aceite o grasa.
- Saltear.

Use el nivel 9 para:

- Dorar carnes.
- Cocinar pescado.
- Cocinar tortillas.
- Freír patatas cocidas.
- Freír alimentos.

Utilice los niveles 7 y 8 para:

- Freír panqueques gruesos y hacer tostadas francesas.
- Freír rodajas gruesas de carne empanada.
- Freír pescado empanado.
- Freír tocino (grasa).
- Cocer patatas crudas.
- Cocer pasta.
- Freír rodajas finas de carne (empanadas).

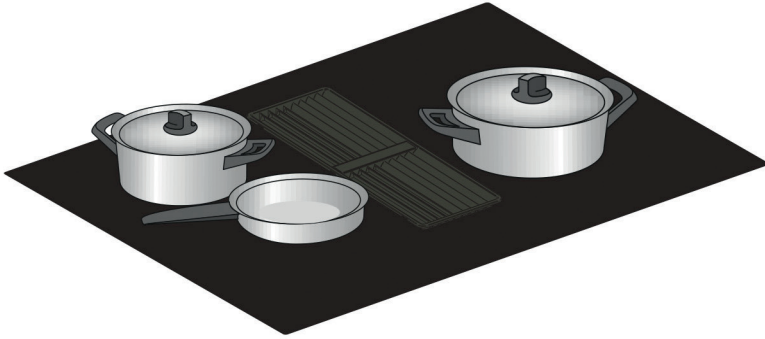
Utilice el nivel 4 a 6 para:

- Completar la cocción de grandes cantidades.
- Descongelar verduras.
- Freír rodajas gruesas de carne empanada.

Utilice el nivel 1 a 3 para:

- Caldo a fuego lento.
- Carnes guisadas.
- Cocer verduras a fuego lento.
- Derretir chocolate.
- Pochar.
- Fundir queso.

ANTES DEL PRIMER USO

Uso de la campana de superficie

- ▷ Coloque la tapa en ángulo sobre la cacerola con la abertura hacia el lado de la extracción. Esto garantiza la máxima extracción.



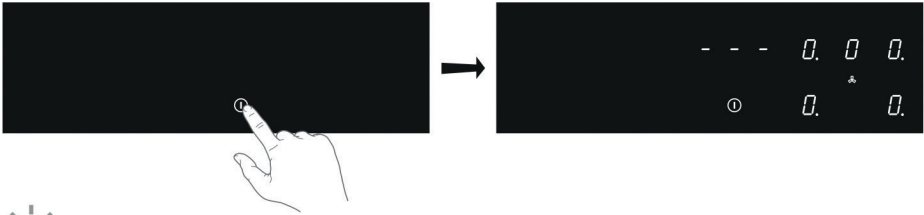
FUNCIONAMIENTO DE LA PLACA DE COCCIÓN



Lea atentamente la sección “Antes del primer uso” antes de empezar a cocinar. De esta manera evitará el uso incorrecto de la placa de cocción.

Empezar a cocinar

- Mantenga pulsada la tecla de encendido/apagado hasta que oiga una señal.
 - Todas las luces se encienden y la placa de inducción entra en modo de espera.
 - Las zonas de cocción y la unidad de extracción tienen un nivel de potencia cero.



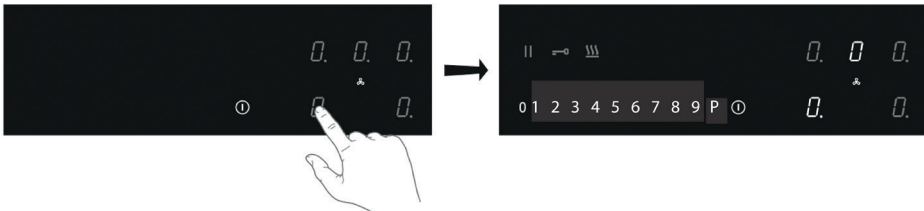
Si la placa de cocción no se utiliza durante 20 segundos, se apagará automáticamente.

- Coloque una cacerola adecuada en la zona de cocción.
 - La zona de cocción detecta automáticamente la cacerola; la pantalla de esta zona se ilumina con mayor intensidad.



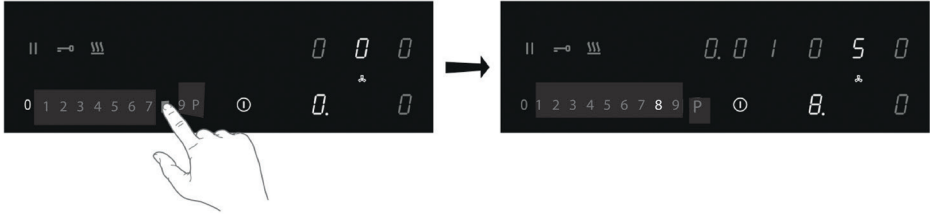
Mientras la pantalla de la zona de cocción se ilumina, la zona de cocción está seleccionada y se podrá ajustar el nivel de potencia.

- Una vez transcurrido el tiempo de respuesta, o durante la cocción, puede seleccionar manualmente la zona de cocción deseada.



FUNCIONAMIENTO DE LA PLACA DE COCCIÓN

4. Antes de que transcurran 10 segundos, ajuste el nivel de potencia con el control deslizante.
- ▷ La zona de cocción se inicia en el nivel que haya seleccionado.



Potencia máxima

Puede utilizar la función de potencia máxima para cocinar durante 5 minutos en el nivel de cocción más alto. Puede utilizar la función para un máximo de dos zonas de cocción juntas al mismo tiempo.

1. Toque el nivel de potencia P para seleccionar la función "Potencia máxima".
 - ▷ En la pantalla se muestra "P".
 - ▷ Después del tiempo de potencia máxima, la potencia se reducirá al nivel 9.

Símbolo de detección de cacerolas

Cuando aparece el símbolo de detección de cacerolas en la pantalla:



- No ha colocado una cacerola en la zona de cocción correcta.
- La cacerola que está utilizando no es adecuada para la placa de inducción.
- La cacerola es demasiado pequeña o no está bien centrada en la zona de cocción.
 - ▷ La zona de cocción no funcionará si no se coloca una cacerola adecuada.

FUNCIONAMIENTO DE LA PLACA DE COCCIÓN

Terminar de cocinar

1. Ajuste el nivel de potencia a "0" para apagar la zona de cocción.
2. Apague la placa de inducción con la tecla de encendido/apagado.



*El símbolo **H** aparecerá en la pantalla de la zona de cocción que esté demasiado caliente y no se pueda tocar. El símbolo desaparece cuando la superficie se haya enfriado a una temperatura segura. También se puede utilizar como función de ahorro de energía; si quiere utilizar otra cacerola, utilice la zona de cocción que aún está caliente.*

Active la función de calentamiento automático

Esta función pone la zona de cocción en el nivel más alto para que la olla alcance rápidamente la temperatura deseada. Tras un intervalo de tiempo determinado, el nivel de potencia vuelve al nivel establecido. Esta función está disponible para los niveles de potencia 1 a 8.

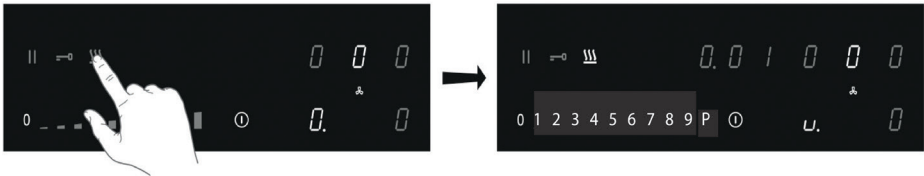
Nivel de potencia	Tiempo de calentamiento (segundos)
1	48
2	144
3	230
4	312
5	408
6	120
7	168
8	216

1. Encienda la placa de cocción y seleccione la zona de cocción deseada.
2. Toque y mantenga el control deslizante durante al menos 3 segundos en el nivel deseado (de 1 a 8).
 - ▷ *En la pantalla aparece una "A" alternando con el nivel de potencia seleccionado. Una vez transcurrido el tiempo de calentamiento automático, la zona de cocción cambiará automáticamente al nivel seleccionado, que se mostrará permanentemente en la pantalla.*
3. Para detener la función de calentamiento automático, seleccione la zona de cocción y toque el control deslizante.

FUNCIONAMIENTO DE LA PLACA DE COCCIÓN

Conecta la función de mantener el calor

1. Encienda la placa y coloque una cacerola adecuada en una zona de cocción.
2. Toque la tecla de la zona de cocción deseada.
 - ▷ Se encenderá el "0" de la zona de cocción seleccionada y sonará un pitido.
3. Toque la tecla de mantener el calor.
 - ▷ El símbolo de mantener el calor "u" aparecerá en la pantalla. La función de mantener el calor está seleccionada.



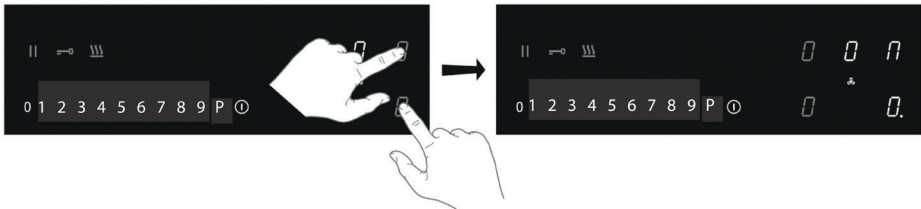
4. Ajuste el nivel de potencia a "0" o toque la tecla de mantener el calor para desactivar esa función.

Unión de las zonas de cocción conectadas con la función puente

Se pueden conectar dos zonas de cocción entre sí. Esto crea una gran zona que se puede utilizar, por ejemplo, con una placa de parrilla o una cacerola de pescado en el mismo nivel de potencia. La cacerola debe ser lo suficientemente grande como para cubrir los centros de la zona de cocción delantera y trasera (al menos 22 cm).

Unión de las zonas de cocción conectadas con la función puente

1. Encienda la placa de cocción.
2. Toque simultáneamente las teclas de la zona de cocción de la derecha.
 - ▷ La pantalla de la zona de cocción trasera muestra un símbolo de conexión para indicar que las dos zonas de cocción están conectadas.

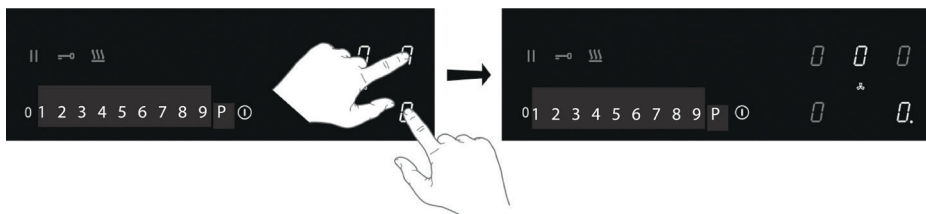


3. Ajuste el nivel de potencia con el control deslizante.
 - ▷ La pantalla de la zona de cocción frontal muestra el nivel de potencia.

FUNCIONAMIENTO DE LA PLACA DE COCCIÓN

Desconexión de las zonas de cocción conectadas con la función puente

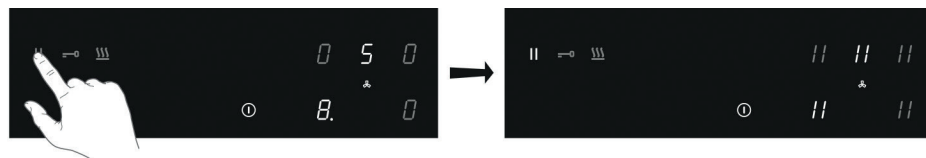
1. Toque simultáneamente las teclas de las zonas de cocción conectadas.
 - ▷ El símbolo de conexión desaparecerá de la pantalla de la zona de cocción trasera.



Pausa de cocción

Esta función detiene temporalmente la actividad de cocción (máx. 10 minutos); la extracción pasará al ajuste más bajo y los temporizadores se pondrán en pausa.

1. Toque la tecla de pausa.
 - ▷ Todas las pantallas muestran el símbolo de pausa.



2. Para continuar la cocción, toque la tecla de pausa durante al menos 1 segundo hasta que parpadee.
3. Toque cualquier otra tecla antes de que pasen 10 segundos y el proceso de cocción continuará.
 - ▷ La placa de cocción se apagará automáticamente después de 10 minutos si la función de pausa no se desactiva.

Función de recuperación

Si la placa de cocción se apagó accidentalmente con la tecla de encendido/apagado, se pueden restablecer todos los ajustes con la función de recuperación.

1. Toque de nuevo la tecla de encendido/apagado antes de que transcurran 6 segundos.
 - ▷ La tecla de pausa parpadeará.
2. Toque la tecla de pausa antes de que pasen 6 segundos.
 - ▷ Los ajustes anteriores vuelven a activarse.

FUNCIONAMIENTO DE LA PLACA DE COCCIÓN

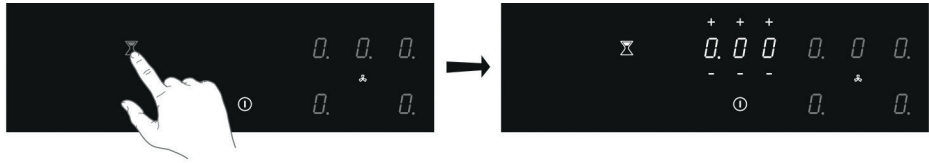
Uso del minuterero



El minuterero no está conectado a una zona de cocción. El minuterero no apaga una zona de cocción ni el extractor.

La placa de cocción está encendida.

1. Toque la tecla del minuterero para encenderlo.
 - ▷ La pantalla del temporizador muestra "0.00".



2. Utilice la tecla "+" o "-" para ajustar el tiempo deseado (de 1 minuto a 9 horas y 59 minutos).
 - ▷ La posición izquierda de la pantalla del temporizador muestra las horas, las otras posiciones los minutos.
 - ▷ Cuando se haya establecido el tiempo, comenzará la cuenta atrás.
 - ▷ La pantalla del temporizador mostrará el tiempo restante.
 - ▷ Los últimos 10 minutos se mostrarán en minutos y segundos.
 - ▷ El temporizador parpadea y la alarma emite un pitido cuando pasa el tiempo establecido.
3. Toque la pantalla del temporizador para detener la alarma.
 - ▷ La alarma se detiene automáticamente después de 2 minutos.



Toque la tecla del minuterero y, a continuación, toque la tecla "-" para ajustar el tiempo a "0.00" y apagar el minuterero antes de que pase el tiempo.



Cuando la placa de cocción esté apagada, toque dos veces la tecla de encendido/apagado para apagar el minuterero antes de que pase el tiempo.

FUNCIONAMIENTO DE LA PLACA DE COCCIÓN

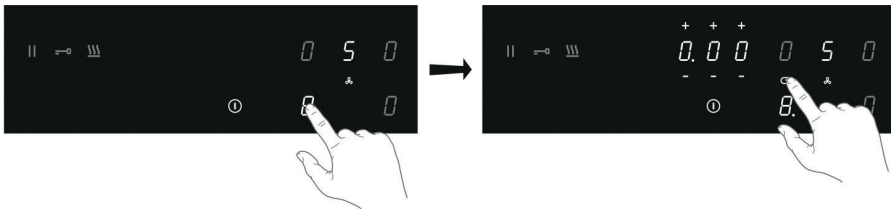
Uso del temporizador de cocción



El temporizador de cocción está conectado a una zona de cocción. Una vez transcurrido el tiempo programado, la zona de cocción se apaga automáticamente.

La placa de cocción está encendida y se ajustó un nivel de potencia para al menos una zona de cocción.

1. Toque la tecla de la zona de cocción deseada.
2. Toque el símbolo del temporizador.
 - ▷ El símbolo del temporizador de cocción activo se ilumina.
 - ▷ La pantalla del temporizador muestra "0.00".



3. Utilice la tecla "+" o "-" para ajustar el tiempo deseado (de 1 minuto a 9 horas y 59 minutos).
 - ▷ La posición izquierda de la pantalla del temporizador muestra las horas, las otras posiciones los minutos.
 - ▷ Cuando se haya establecido el tiempo, comenzará la cuenta atrás y el símbolo del temporizador parpadeará lentamente.
 - ▷ La pantalla del temporizador mostrará el tiempo restante.
 - ▷ Los últimos 10 minutos se mostrarán en minutos y segundos.
 - ▷ La zona de cocción seleccionada se apagará automáticamente una vez transcurrido el tiempo programado.
 - ▷ El temporizador parpadea y la alarma emite un pitido cuando pasa el tiempo establecido.
4. Toque el símbolo del temporizador para detener la alarma.
 - ▷ La alarma se detiene automáticamente después de 2 minutos.



Todas las zonas de cocción pueden tener un temporizador de cocción programado. La pantalla siempre mostrará el tiempo de la zona de cocción con el menor tiempo restante.

Cambio del tiempo de cocción preestablecido

El tiempo de cocción se puede modificar en cualquier momento.

1. Toque la tecla de la zona de cocción correspondiente.
2. Toque el símbolo del temporizador.
3. Utilice la tecla "+" o "-" para cambiar el tiempo.

FUNCIONAMIENTO DE LA PLACA DE COCCIÓN

Comprobación del tiempo de cocción restante

1. Toque la tecla de zona de cocción y seleccione la zona de la que desea ver el tiempo restante.
 - ▷ Cuando hay una zona conectada al temporizador se identifica con el símbolo del temporizador que parpadea sobre la pantalla de la zona de cocción.
 - ▷ El temporizador mostrará el tiempo restante de la zona de cocción seleccionada.
 - ▷ Durante los últimos 10 minutos de la cuenta atrás, el tiempo restante se mostrará en minutos y segundos.

Desconectar el temporizador de cocción

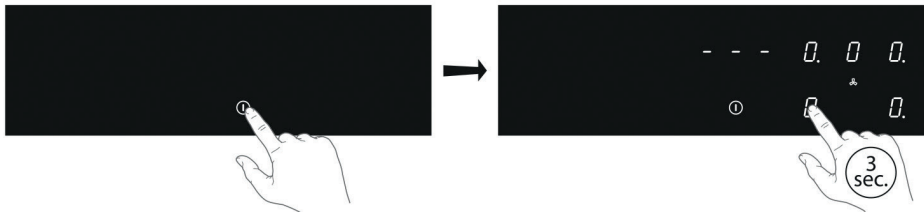
Siga los siguientes pasos para desconectar el temporizador antes de que finalice el tiempo preestablecido:

1. Toque la tecla de la zona de cocción para seleccionar la zona de la que desea desconectar el temporizador de cocción.
 - ▷ Cuando hay una zona conectada al temporizador se identifica con el símbolo del temporizador que parpadea sobre la pantalla de la zona de cocción.
2. Toque el símbolo del temporizador.
3. Toque la tecla "-" para ajustar el tiempo a "0.00".
 - ▷ El símbolo del temporizador ya no está iluminado.
4. Para confirmar el ajuste, toque de nuevo el símbolo del temporizador.

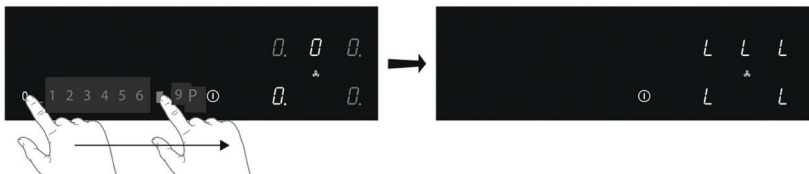
Bloqueo de seguridad para niños

Para activar el bloqueo de seguridad para niños, debe realizar los pasos indicados en un plazo de 10 segundos.

1. Encienda la placa de cocción.
2. Toque y mantenga pulsada cualquiera de las teclas de la zona de cocción durante 3 segundos.



3. Suelte y deslice el dedo de 0 a 9 por el control deslizante.
 - ▷ Todas las pantallas muestran el símbolo "L".

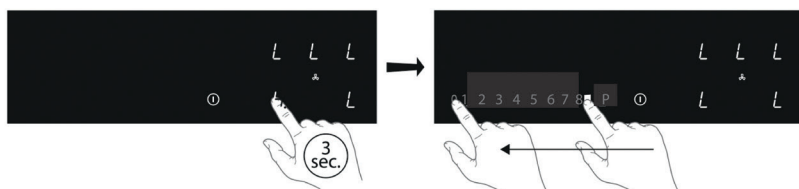


FUNCIONAMIENTO DE LA PLACA DE COCCIÓN

La placa de cocción está bloqueada. Evita el encendido involuntario. Después de 20 segundos, la placa se apagará automáticamente.

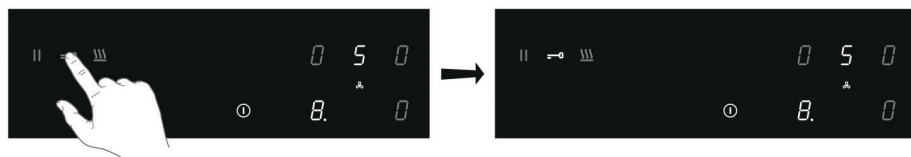
Para desactivar el bloqueo de seguridad para niños, debe realizar los pasos indicados en un plazo de 10 segundos.

1. Encienda la placa de cocción.
2. Toque y mantenga pulsada cualquiera de las teclas de la zona de cocción durante 3 segundos.
3. Suelte y deslice el dedo de 9 a 0 por el control deslizante.



Función de bloqueo para una limpieza rápida durante la cocción

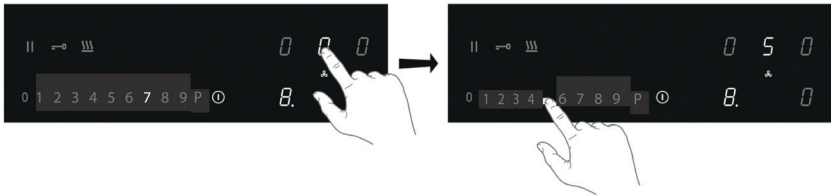
1. Toque la tecla de bloqueo.
 - ▷ La tecla de bloqueo se ilumina y los ajustes de la placa de cocción se bloquean para permitir una limpieza rápida.
2. Toque de nuevo la tecla de bloqueo después de la limpieza rápida para desactivar la función.



FUNCIONAMIENTO DEL EXTRACTOR

Encendido y apagado manual del extractor

1. Toque la tecla de extracción.
 - ▷ *La pantalla del extractor se ilumina.*
2. Ajuste el nivel de velocidad del extractor en 3 segundos con el control deslizante (1 a 9).
 - ▷ *El extractor se enciende con la velocidad de extracción ajustada.*
 - ▷ *Establezca un nivel más alto o más bajo con el control deslizante.*



3. Para apagar el extractor, ponga el nivel de velocidad en "0".
4. Apague la placa de inducción con la tecla de encendido/apagado.



En el modo de recirculación, el extractor funcionará en modo de seguimiento durante otros 20 minutos cuando se apague la placa de cocción.

Potencia máxima

Puede utilizar la función de potencia máxima para extraer durante un máximo de 6 minutos en el nivel más alto.

1. Toque la tecla P para seleccionar la función de potencia máxima.
 - ▷ *En la pantalla se muestra "P".*
 - ▷ *Después del tiempo máximo de potencia, el nivel de velocidad del extractor se reducirá al nivel 9.*



En el modo de recirculación no hay límite de tiempo y la función de potencia máxima queda activa.

2. Para apagar el extractor, ponga el nivel de velocidad en "0".
3. Apague la placa de inducción con la tecla de encendido/apagado.

FUNCIONAMIENTO DEL EXTRACTOR

Activación y desactivación del modo de extracción automática

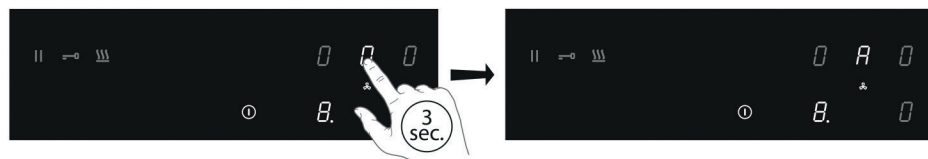


En el modo de extracción automática, el nivel de extracción se ajusta automáticamente al uso de las zonas de cocción.

Una zona de cocción está en funcionamiento (nivel 8) y el modo de extracción automática está activo (nivel 5).

1. Toque la tecla de extracción durante tres segundos.

▷ En la pantalla se muestra "A".



2. Toque de nuevo la tecla de extracción durante tres segundos para desactivar el modo de extracción automática.

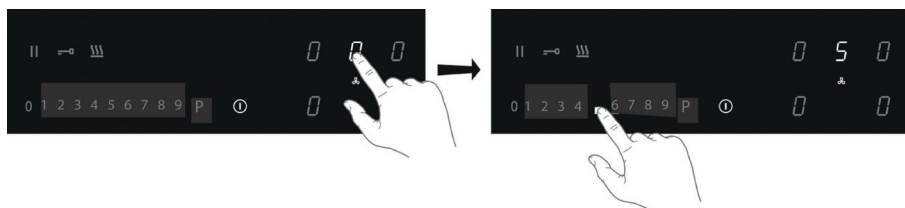
Establecer minutos de retardo

Utilice esta función para desconectar el extractor con un retardo de varios minutos.



El modo de extracción automática debe estar desactivado.

1. Encienda la placa de cocción.
2. Toque la tecla de extracción y establezca un nivel de velocidad de extracción.

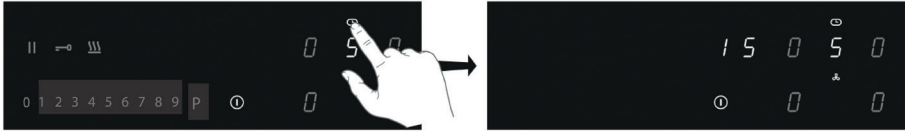


3. Toque el símbolo del temporizador.

▷ El símbolo del temporizador de la unidad extractora se enciende.

FUNCIONAMIENTO DEL EXTRACTOR

4. Utilice la tecla "+" o "-" para ajustar el tiempo de retardo deseado.
 - ▷ La cuenta atrás se inicia automáticamente.
 - ▷ La unidad de extracción se apaga después del tiempo que se haya ajustado.



Saturación del filtro de grasa

Después de 30 horas de funcionamiento, en la pantalla de la unidad de extracción aparecerán alternativamente "F" y "G" para indicar que se debe realizar el mantenimiento del filtro de grasa (consulte "Mantenimiento y limpieza de los filtros").

La indicación de saturación del filtro de grasa está siempre activada.

Saturación del filtro de olores

Por defecto, la indicación de saturación del filtro de olores está desactivada (cuando la extracción funciona en modo de canalización). Active la indicación de saturación del filtro de olores si la unidad de extracción está instalada como aplicación de recirculación; consulte el "Menú de usuario".

Después de 120 horas de funcionamiento, en la pantalla de la unidad de extracción aparecerán alternativamente "F" y "C" para indicar que se debe realizar el mantenimiento del filtro de olores (consulte "Mantenimiento").

- Si utiliza una combinación de filtro de olores y polvo fino, deberá sustituir el filtro como máximo después de 1 año.

Restablecer la memoria del indicador de saturación del filtro

Restablecer la memoria después de sustituir el filtro de grasa o el filtro de olores

1. Encienda la placa de cocción.
2. Mantenga pulsada la tecla de extracción durante 3 segundos.
 - ▷ En la pantalla de la unidad extractora desaparecerán "F" y "G" o "F" y "C", y la memoria comenzará a contar de nuevo.

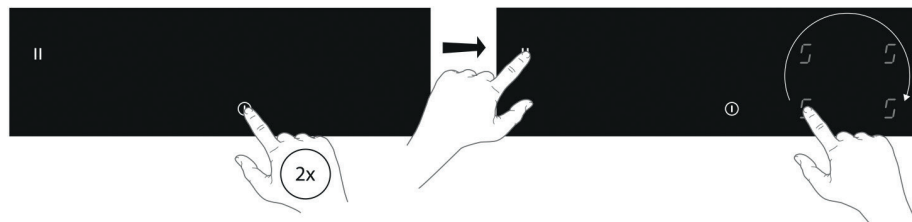
MENÚ DE USUARIO

El Menú de usuario lo ayudará a configurar las señales de la placa de cocción como desee. Esto afecta tanto a las señales sonoras (tono y volumen) como a las visuales.

Código del menú	Descripción	Valor de configuración
U0	Potencia total disponible para el equipo	De 1400 a 7400 W (por defecto) en pasos de 100 W
U1	Modo de canalización / Modo de recirculación	0: Modo de canalización (por defecto) 1 : Modo de recirculación
U2	Volumen del sonido de las teclas	0 (desactivado) - 1 - 2 - 3 máx. (por defecto)
U3	Volumen de la señal de alarma	0 (desactivado) - 1 - 2 - 3 máx. (por defecto)
U4	Nivel de iluminación	Máx. 0 (por defecto) - 1 - 2 - 3 - 4 - 5 - 6 - 7 - 8 - 9 Mín.
U5	Animación de la cuenta atrás	0: desactivado (por defecto) 1 : activado
U6	Detección automática de cacerolas	0: desactivado 1: activado (por defecto)
U7	Temporizador de la señal sonora de la cuenta atrás	0: señal sonora durante 120 segundos (por defecto) 1: señal sonora durante 10 segundos 2: sin señal sonora

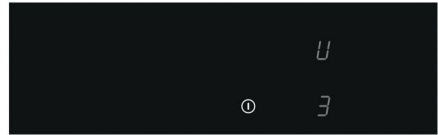
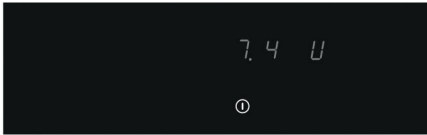
Abrir el Menú de usuario

1. Toque la tecla de encendido/apagado dos veces en tres segundos.
 - *La tecla de pausa parpadea.*
2. Mantenga pulsada la tecla de pausa.
3. A continuación, toque cada tecla de zona de cocción en el sentido de las agujas del reloj (empiece por la tecla de la zona de cocción delantera izquierda).



MENÚ DE USUARIO

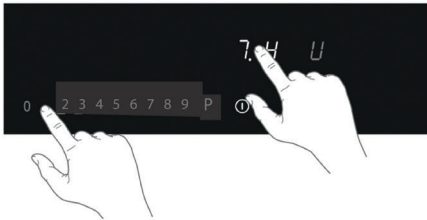
4. Suelte la tecla de pausa.
 - ▷ "U" parpadeará alternativamente con el número "0" en la pantalla de la zona de cocción en la parte trasera izquierda.
 - ▷ Con el código de menú U0, el valor de configuración aparece en la pantalla del temporizador.
 - ▷ Para todos los demás códigos de menú, el valor de configuración aparece en la pantalla de la zona de cocción en la parte delantera izquierda.



Código de menú U0 (potencia máxima total)

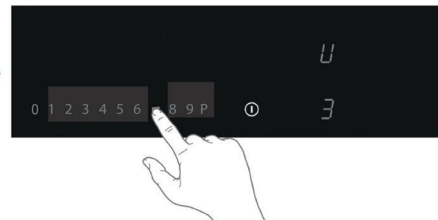
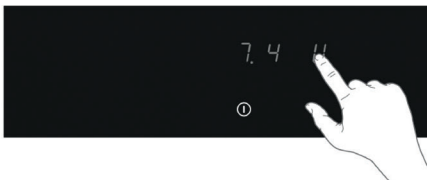
Si la instalación eléctrica de su casa tiene diferentes límites de corriente, se puede reducir el consumo máximo de la placa de cocción.

1. Ha seleccionado el Menú de usuario.
2. Toque la pantalla del temporizador una vez y utilice el lado izquierdo del control deslizante para disminuir la potencia con 0,1 kW por paso. Utilice el lado derecho del control deslizante para aumentar la potencia con 0,1 kW por paso.
3. Para confirmar la configuración, mantenga pulsada la tecla de encendido/apagado hasta que oiga una señal.



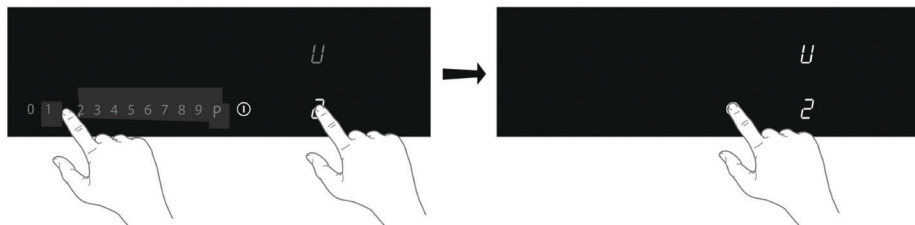
Código del menú U1 - U7

1. Ha seleccionado el Menú de usuario.
2. Toque la tecla de la zona de cocción en la parte posterior izquierda y elija el número correcto del código de menú (consulte la tabla).



MENÚ DE USUARIO

3. Toque la tecla de la zona de cocción situada en la parte delantera izquierda y seleccione el valor correcto (consulte la tabla).
4. Para confirmar la configuración, mantenga pulsada la tecla de encendido/apagado hasta que oiga una señal.



LIMITADOR DE POTENCIA



El ajuste del limitador de potencia solo lo debe realizar un instalador registrado y cualificado. Lea atentamente las normas de seguridad y las instrucciones de instalación.

La placa de cocción tiene un limitador de potencia. Si la potencia total de las zonas de cocción en funcionamiento supera la potencia máxima disponible, la potencia se reducirá automáticamente. La pantalla de la zona de cocción a la que se le está reduciendo la potencia parpadea primero; a continuación, el nivel se reduce automáticamente a la mayor potencia disponible.

- El limitador viene configurado de fábrica a 7400 W, pero este ajuste se puede cambiar hasta 1400 W en pasos de 100 W cada uno.

Configuración del limitador de potencia

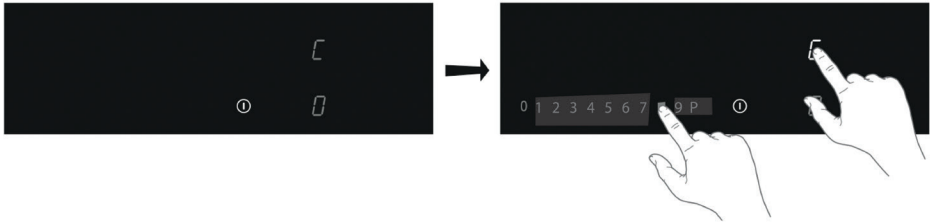
Asegúrese de que no hay cacerolas ni sartenes en la placa antes de empezar.

1. Desenchufe el electrodoméstico de la red eléctrica principal y desconecte el disyuntor.
2. Vuelva a conectar el aparato a la red eléctrica.
 - *La tecla del minutero parpadeará.*
- **Después de conectar la placa de cocción a la red eléctrica, realice los siguientes pasos en un plazo de 2 minutos.**
- **Asegúrese de que todas las zonas de cocción estén apagadas.**
- 3 Mantenga pulsada la tecla del minutero.
4. A continuación, toque cada tecla de zona de cocción en sentido contrario a las agujas del reloj (empiece por la tecla de zona de cocción delantera derecha).

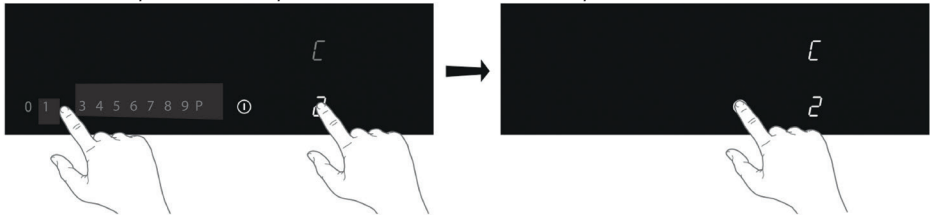


LIMITADOR DE POTENCIA

5. Suelte la tecla del minuteru.
 - ▷ "C" parpadeará alternativamente con el número "0" en la pantalla de la zona de cocción en la parte trasera izquierda.
 - ▷ El valor de configuración aparece en la pantalla de la zona de cocción delantera izquierda.
6. Toque la tecla de la zona de cocción posterior izquierda y elija "8" con el control deslizante.
 - ▷ "C" parpadeará alternativamente con el número "8" en la pantalla de la zona de cocción en la parte trasera izquierda.



7. Toque la tecla de zona de cocción delantera izquierda y seleccione la limitación de potencia deseada con el control deslizante .
8. A continuación, mantenga pulsada la tecla de encendido/apagado hasta que desaparezcan todos los segmentos de la pantalla.
 - ▷ Ahora, podrá utilizar la placa de cocción con el limitador de potencia seleccionado.



MANTENIMIENTO

Limpieza

Primer uso

- Utilice un paño húmedo para limpiar y secar la superficie del cristal antes de utilizarla por primera vez.
- Después de limpiar el electrodoméstico con un paño húmedo, se recomienda secarlo para evitar la acumulación de cal.

Limpieza diaria

- Aunque los alimentos derramados no se pueden quemar en el cristal, le recomendamos que limpie la placa de cocción inmediatamente después de su uso.
- Lo mejor para la limpieza diaria es utilizar un paño húmedo con un producto de limpieza suave.
- Secar con papel de cocina o con un paño de cocina seco.

Manchas persistentes

- Las manchas persistentes también se pueden eliminar con un producto de limpieza suave, como un detergente.
- Eliminar las marcas de agua y la cal con vinagre.
- Las marcas de metal (causadas por el deslizamiento de las cacerolas) pueden ser difíciles de eliminar. Hay agentes especiales disponibles.
- Utilice un rascador de vidrio para eliminar los derrames de alimentos. El plástico y el azúcar derretidos también se eliminan mejor con un rascador de vidrio.



No utilice nunca productos abrasivos. Dejan arañazos en los que se puede acumular suciedad y cal. No utilice nunca nada afilado, como lana de acero o estropajos.

Filtros y bandeja de recogida

Filtros de grasa

Después de 30 horas de funcionamiento, en la pantalla de la unidad de extracción aparecerán alternativamente "F" y "G". Esto indica que debe limpiar los filtros de grasa.

Los debe limpiar una vez al mes (o cuando el sistema de indicación de saturación del filtro lo indique). No utilice productos de limpieza agresivos y limpie preferentemente el filtro de forma manual o en el lavavajillas a baja temperatura y con un programa corto. Coloque los filtros con la abertura hacia abajo en el lavavajillas para que el agua pueda salir. Los productos de limpieza que se utilizan en los lavavajillas hacen que el aluminio se desgaste más rápido. Esto es normal.

Después de la limpieza y la sustitución de los filtros de grasa, restablezca la memoria del indicador de saturación del filtro.

Filtros de recirculación - (solo para versión con filtro)

Los filtros se pueden restaurar en el horno, mejor si es asistido por ventilador.

La temperatura del horno debe ser de 150°-180°, temperaturas más altas podrían dañar los filtros. Es mejor colocar los ladrillos filtrantes sobre la rejilla del horno, no precalentados, y dejar que se enfríen.

completamente antes de retirar.

El tiempo necesario para restaurar los filtros es de al menos dos horas o incluso más, dependiendo de la intensidad de cocción.

La restauración debe hacerse solo en un lugar bien ventilado.

No lave los filtros en el lavavajillas.

Los filtros de recirculación se pueden restaurar muchas veces, pero para una mejor eficiencia recomendamos reemplazar cada 1 años.

SOLUCIÓN DE PROBLEMAS

**Atención**

Si observa una grieta en la tapa de cristal (por pequeña que sea), apague inmediatamente la placa de cocción y desconéctela de la red eléctrica. Póngase en contacto con el servicio técnico.

Si la placa no funciona correctamente, no siempre significa que esté defectuosa. Intente solucionar el problema con ayuda de la siguiente tabla. También puede consultar nuestro sitio web para obtener más información. Si el problema continúa, póngase en contacto con el servicio técnico.

Problema	Posible causa	Solución
La pantalla se ilumina cuando la placa de cocción se activa por primera vez.	Es el procedimiento estándar de preparación.	Funcionamiento normal.
El ventilador funciona durante varios minutos después de apagar la placa de cocción.	La placa se está enfriando.	Funcionamiento normal.
Las primeras veces que se utiliza la placa de cocción se percibe un olor.	El aparato es nuevo y se está calentando.	Es normal y desaparecerá después de varios usos. Ventilar la cocina.
Las cacerolas hacen ruido durante la cocción.	Esto se debe a la energía que fluye de la placa de cocción a la cacerola.	Cuando se utilizan niveles altos, esto es frecuente en algunos tipos de cacerolas. Esto no dañará ni las cacerolas ni la placa de cocción.
Se enciende una zona de cocción, pero en la pantalla se muestra u .	La cacerola que está utilizando no es adecuada para la cocina de inducción o tiene un diámetro demasiado pequeño.	Utilice una cacerola adecuada.
Una zona de cocción deja de funcionar de repente y se oye una señal.	El tiempo que se ha establecido para el temporizador ha terminado.	Toque la tecla izquierda o derecha del temporizador para detener la alarma.
La placa de cocción no funciona y no aparece nada en la pantalla.	No hay suministro de energía debido a un problema con el cable o una conexión defectuosa.	Compruebe los fusibles o el interruptor eléctrico (si no hay enchufe).
Un fusible se funde en cuanto se enciende la placa de cocción.	La placa está mal conectada.	Póngase en contacto con un instalador profesional.
En la pantalla se muestra "L".	El bloqueo de seguridad para niños está activado.	Consulte el capítulo "Funcionamiento de la placa de cocción" y "Bloqueo de seguridad para niños".
Código de error ER 03 .	Ha pulsado dos o más teclas al mismo tiempo.	No pulse más de una tecla a la vez.
	El panel de control está sucio o tiene agua encima.	Limpie el panel de control.

SOLUCIÓN DE PROBLEMAS

Problema	Posible causa	Solución
Código de error ER21 .	Sobrecalentamiento.	Deje que la placa se enfríe.
Código de error E2 .	Exceso de temperatura del elemento de inducción. Es posible que se hayan utilizado ollas o cacerolas vacías.	No calentar cacerolas vacías.
Código de error E3 .	Cacerola equivocada.	Utilice cacerolas adecuadas.
Código de error E8 .	Mal funcionamiento del extractor. Es posible que el extractor esté bloqueado.	Retire las obstrucciones y limpie el extractor.
Otros códigos de error.		Póngase en contacto con el servicio técnico.

Attenzione

È molto importante che questo libretto istruzioni sia conservato insieme alla *centrale ob*, per qualsiasi futura consultazione. Se l'apparecchio dovesse essere venduto o trasferito ad un'altra persona, assicurarsi che il libretto venga fornito assieme, in modo che il nuovo utente possa essere messo al corrente del funzionamento della cappa e delle relative avvertenze. Queste avvertenze sono state redatte per la vostra sicurezza e per quella degli altri, Vi preghiamo, dunque, di volerlo leggere attentamente prima d'installare e di utilizzare l'apparecchio. Consultare anche i disegni nelle prime pagine con i riferimenti alfabetici e numerici riportati nel testo esplicativo. Attenersi strettamente alle istruzioni riportate in questo manuale. Si declina ogni responsabilità per eventuali inconvenienti, danni o incendi provocati all'apparecchio derivati dall'inosservanza delle istruzioni riportate in questo manuale. L'installazione e il collegamento elettrico deve essere fatta da un tecnico specializzato. La ditta fornitrice non risponderà di alcuna garanzia per danni derivati da un errata installazione o errato utilizzo dell'apparecchio, Non modificare né cercare di modificare mai le caratteristiche di questo apparecchio.

Il piano di cottura deve essere utilizzato sempre nei limiti del normale uso domestico, non per uso professionale, per preparare e tenere in caldo le pietanze. Qualsiasi altro impiego non è ammesso. Durante il funzionamento, l'apparecchio non deve rimanere senza sorveglianza.

Il presente apparecchio può essere utilizzato dai bambini a partire dagli 8 anni e da persone con ridotte capacità fisiche, sensoriali o mentali oppure con mancanza di esperienza e di conoscenza se si trovano sotto adeguata sorveglianza oppure se sono stati istruiti circa l'uso dell'apparecchio in modo sicuro e se si rendono conto dei pericoli correlati.

I bambini non devono giocare con l'apparecchio.

Servirsi del dispositivo di blocco dei comandi per impedire che i bambini possano accendere inavvertitamente l'apparecchio o modificarne le funzioni. Durante il funzionamento, l'apparecchio non deve mai rimanere senza sorveglianza.

Non comandare il piano tramite un temporizzatore esterno.

Durante il funzionamento, l'apparecchio non deve rimanere senza sorveglianza. Accertarsi che i bambini eventualmente presenti in casa non abbiano la possibilità di rovesciare a terra pentole e padelle calde. Girare le maniglie e i manici di pentole e padelle di lato, sulla superficie di lavoro, in modo che si trovino sopra il piano di lavoro per prevenire il rischio di ustioni.

Per questioni di sicurezza, il piano di cottura deve essere usato solo dopo essere stato incassato.

Prima di procedere all'incasso controllare se il piano di cottura presenta eventuali danni visibili. Non mettere mai in funzione un apparecchio danneggiato, può essere rischioso per la sicurezza.

Le operazioni di pulizia e di manutenzione non devono essere effettuate dai bambini senza sorveglianza.

Se il cavo di alimentazione dovesse risultare danneggiato dovrà essere sostituito solo da un centro assistenza o da personale qualificato.

L'incasso e il collegamento elettrico dell'apparecchio alla rete può essere eseguito solo da personale specializzato. La sicurezza elettrica è garantita solo se il piano di cottura è allacciato a un regolare collegamento a terra. In caso di dubbi, far controllare l'impianto elettrico da un elettricista qualificato. Non allacciare il piano di cottura alla rete elettrica con prolunghe o prese multiple ,perché non garantiscono la necessaria sicurezza(ad es. rischio di surriscaldamento).

Prima di allacciare il piano di cottura bisogna confrontare i dati di allacciamento (tensione e frequenza), riportati sulla targhetta, con quelli della rete elettrica.

Questi dati devono assolutamente corrispondere ,altrimenti la macchina potrebbe subire dei danni. In caso di dubbi rivolgersi ad un elettricista.

Per eseguire i lavori di installazione e di manutenzione, nonché di riparazione, scollegare l'apparecchio dalla rete elettrica.

E' necessario rispettare tutte le normative per lo scarico dell'aria

ATTENZIONE: Se la superficie è incrinata, spegnere l'apparecchio per evitare la possibilità di scosse elettriche.

Non aprire mai l'involucro dell'apparecchio. L'eventuale contatto con parti sotto tensione o la modifica delle strutture elettriche o meccaniche può causare anomalie di funzionamento.

Il piano ad induzione non deve essere usato come piano di lavoro. Le basi ruvide dei recipienti possono rigare il piano di cottura.

Mantenere sempre perfettamente asciutte le zone di cottura e la base dei recipienti.

L'impianto elettrico deve avere a monte dell'apparecchio un interruttore che garantisca una disconnessione onnipolare con apertura dei contatti di almeno 3mm.

ATTENZIONE: I dispositivi di protezione del piano di cottura devono essere solamente quelli progettati dal produttore dell'apparecchio di cottura o quelli indicati nelle istruzioni dal produttore dell'apparecchio come adatti all'uso oppure i dispositivi di protezione del piano di cottura incorporati nell'apparecchio. L'impiego di dispositivi di protezione non adeguati può provocare incidenti.

In fase di installazione l'apparecchiatura deve essere collegata a un'alimentazione la cui impedenza di sistema deve essere adattata ad un valore di $0,005+j0,005[\text{Ohm}]$.

Pericolo di incendio

L'olio e il grasso troppo caldi si infiammano rapidamente.

Non lasciare olio o grasso surriscaldati senza sorveglianza.

Nel caso in cui l'olio o il grasso si dovessero infiammare, non tentare di spegnere le fiamme con acqua. Spegnerle le fiamme con un coperchio o un piatto con una coperta ignifuga. Spegnerle la zona di cottura. Non collocare in alcun caso oggetti infiammabili sul piano di cottura.

ATTENZIONE: Rischio di incendio: non lasciare oggetti sulle superfici di cottura.

Pericolo di ustioni

ATTENZIONE: Questo apparecchio e le sue parti accessibili diventano molto caldi durante l'uso.

Bisogna fare attenzione ed evitare di toccare gli elementi riscaldanti.

Tenere lontani i bambini inferiori agli 8 anni se non continuamente sorvegliati.

Non posare sul piano a induzione oggetti come coltelli, forchette, cucchiari o coperchi perchè si possono surriscaldare.

Non riscaldare contenitori chiusi, ad esempio in latta, sulle zone di cottura. La sovrappressione generata potrebbe far scoppiare il contenitore.

Recipienti adeguati

Solo i recipienti ferromagnetici sono adatti alla cottura a induzione; in particolare sono idonei: acciaio smaltato, ghisa, stoviglie speciali per induzione in acciaio inossidabile. Usare solo pentole e padelle a fondo liscio. Non inserire alcun tipo di oggetto tra il fondo della pentola e il piano in vetroceramica, ad esempio adattatori.

Zona di Cottura	Diametro minimo
OCTA (single)	110mm
OCTA (bridged mode)	230 mm

Per sapere se i recipienti sono adeguati, verificare che siano attratti da un magnete.

Esiste un altro tipo di recipienti speciali per induzione la cui base non è del tutto ferromagnetica.

Recipienti non adeguati

Non utilizzare mai recipienti di: acciaio fine normale, vetro, terracotta, rame e alluminio. Non posizionare alcun recipiente vuoto sulla zona di cottura. Potrebbe provocare danni.

Non collocare alcun recipiente caldo sul pannello comandi, nell'area delle spie o sulla cornice del piano di cottura. Potrebbe provocare danni.

Pericolo guasti

Pentole dalle quali evaporano completamente i liquidi possono provocare danni al piano in vetroceramica, per i quali il produttore non si assume alcuna responsabilità.

L' apparecchio è dotato di una ventola di raffreddamento. Se sotto il piano di cottura incassato si trova un cassetto, deve essere garantita una congrua distanza tra il contenuto del cassetto e la parte inferiore dell'apparecchio, per non comprometterne la ventilazione.

Non conservare, nell'eventuale cassetto posto sotto il piano di cottura, oggetti piccoli o fogli di carta che, se aspirati, potrebbero rompere il ventilatore e pregiudicare il raffreddamento dell'apparecchio, né oggetti infiammabili o metallici, che potrebbero diventare incandescenti o infiammarsi.

Il piano di lavoro deve essere piatto e orizzontale. I ritagli del mobile devono essere effettuati prima di installare l'apparecchio. Eliminare i trucioli per non compromettere il funzionamento dei componenti elettrici.

Se il piano di cottura è montato dietro l'anta di un mobile, metterlo in funzione solo lasciando l'anta aperta.

Chiudere l'anta del mobile solo quando l'apparecchio e le spie di calore residuo sono spenti.

Se l'apparecchio viene incassato sopra un forno oppure una cucina elettrica dotati di sistema pirolitico non dovrebbe essere messo in funzione mentre il procedimento pirolitico è in corso, poiché può scattare la protezione di surriscaldamento del piano di cottura.

Il piano cottura non deve essere installato sopra la lava-stoviglie, in quanto, il vapore emesso dalla lavastoviglie potrebbe causare un cattivo funzionamento del circuito elettronico del piano cottura.

Non utilizzare qualsiasi apparecchio a vapore, in quanto il vapore potrebbe raggiungere le parti sotto tensione e provocare un corto circuito.

Eventuali interventi o riparazioni dell'apparecchio nel periodo di garanzia devono essere eseguite solo dall'assistenza tecnica autorizzata dalla casa produttrice; in caso contrario la garanzia viene invalidata e decade immediatamente. Per eventuali problematiche successive non verrà in alcun caso riconosciuta alcuna garanzia da parte del produttore.

Sostituire eventuali pezzi guasti o difettosi con ricambi originali: solo essi garantiscono il rispetto degli standard di sicurezza.

Avvertenza per persone con pacemaker: tenere presente che nelle immediate vicinanze dell'apparecchio in funzione si genera un campo elettromagnetico.

La possibilità che il funzionamento del pacemaker ne risenta è molto remota. In caso di dubbi rivolgersi al produttore del pacemaker o al proprio medico.

Dopo l'uso, spegnere il piano cottura tramite il suo dispositivo di comando e non fare affidamento sul rilevatore di pentole.

Avvertenza : non versare alcun tipo di liquido nella fessura di aspirazione della cappa.

Avvertenza : si raccomanda di sigillare con silicone o nastro adesivo tutte le giunzioni delle tubature, sia dei tubi di evacuazione sia dei raccordi di congiunzione delle varie parti.

In caso di installazione in modalità filtrante porre particolare attenzione al posizionamento della zona di evacuazione dei fumi per evitare possibili turbolenze, in modo tale da non interferire né con l'aspirazione né con il piano cottura.

Nell'installazione in modalità filtrante posizionare le tubazioni all'interno zoccolo del mobile prevedendo l'evacuazione dell'aria all'esterno dello stesso tramite un'apposita griglia, onde evitare un accumulo di umidità al suo interno.

Accendere il dispositivo di aspirazione esclusivamente quando la veletta di copertura è aperta. Per aprire e chiudere la veletta utilizzare esclusivamente l'apposito foro d'invito.

La vaschetta di raccolta liquidi va svuotata frequentemente.

Tale vaschetta è progettata per contenere circa 0,7 litro di acqua; nel caso in cui si dovesse verificare la fuoriuscita o la caduta di liquidi sul dispositivo, provvedere immediatamente allo spegnimento procedendo allo svuotamento della vaschetta. Se il liquido caduto sul piano è superiore alla quantità che può contenere la vaschetta spegnere il dispositivo e contattare immediatamente il servizio assistenza.

Rumori

L'induzione può generare una lieve rumorosità; questa è variabile in funzione al materiale, al tipo di pentola e della potenza selezionata.

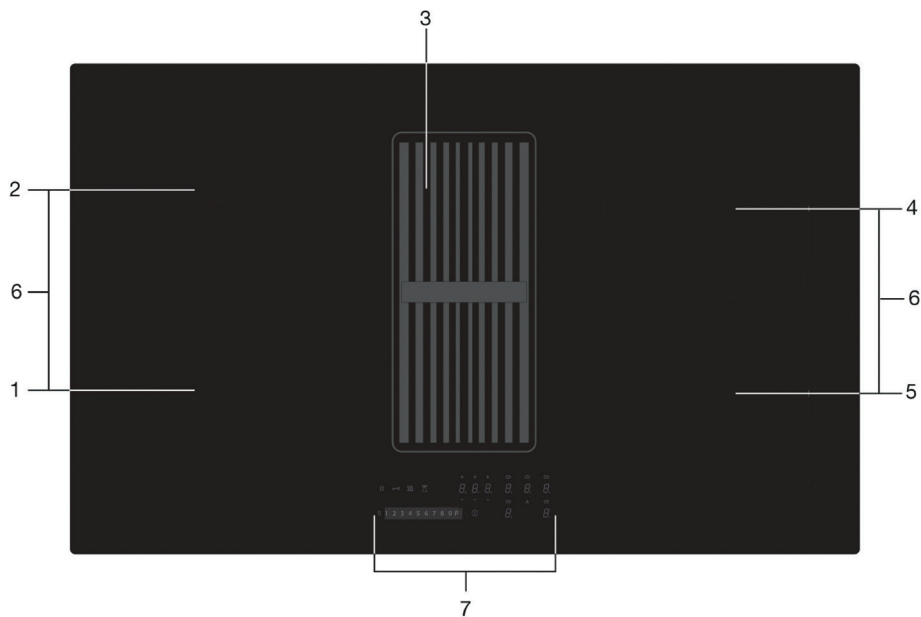
Quando il piano viene utilizzato frequentemente la ventola di raffreddamento si accende per salvaguardare la vita dell'elettronica, generando un ronzio: esso è perfettamente normale.

Primo utilizzo

Pulire con un panno umido e asciugare il piano cottura prima di utilizzarlo per la prima volta. Si consiglia di asciugare l'apparecchio dopo averlo pulito con un panno umido per evitare residui di calcare.

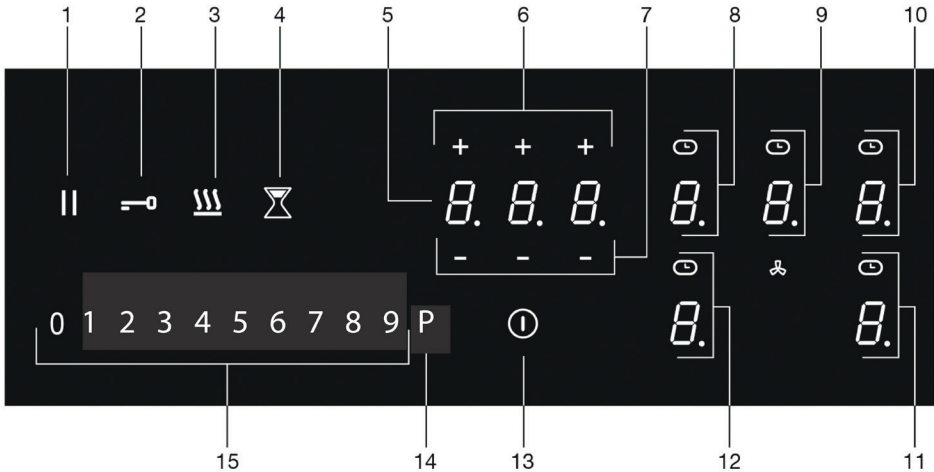
Quando si accende l'apparecchio per la prima volta è possibile che si generino odori o si formino fumi. Con ogni ulteriore uso l'odore si attenua finché sparisce del tutto. Odori ed eventuali fumi non sono sintomatici di un allacciamento errato o di eventuali danni all'apparecchio e non sono dannosi per la salute.

IL TUO PIANO COTTURA A INDUZIONE

Descrizione

1. Zona cottura anteriore sinistra 210 x 190 mm / 2,1 kW (boost 3,0 kW)
2. Zona cottura posteriore sinistra 210 x 190 mm / 2,1 kW (boost 3,0 kW)
3. Estrattore
4. Zona cottura posteriore destra 210 x 190 mm / 2,1 kW (boost 3,0 kW)
5. Zona cottura anteriore destra 210 x 190 mm / 2,1 kW (boost 3,0 kW)
6. Zone di cottura collegate 21 x 39 cm / 3,7 kW
7. Pannello di controllo

IL TUO PIANO COTTURA A INDUZIONE






Descrizione



1. Tasto Pausa
2. Tasto di blocco
3. Tasto Keep Warm
4. Tasto del contaminuti
5. Display del timer
6. Tasto più timer
7. Tasto meno timer
8. Tasto della zona di cottura posteriore sinistra (visualizzazione della zona di cottura) e simbolo del timer
9. Tasto di estrazione (display dell'estrattore) e simbolo del timer
10. Tasto della zona di cottura posteriore destra (visualizzazione della zona di cottura) e simbolo del timer
11. Tasto della zona di cottura anteriore destra (visualizzazione della zona di cottura) e simbolo del timer
12. Tasto della zona di cottura anteriore sinistra (visualizzazione della zona di cottura) e simbolo del timer
13. Tasto On/Off
14. Tasto Boost
15. Comando a scorrimento (dalla posizione 0 alla posizione 9) per:
 - ▷ impostazione di un valore (livello di potenza/livello di velocità dell'estrattore/minuti)

IL TUO PIANO COTTURA A INDUZIONE

Indicazioni sul display

Visualizzazione nella zona di cottura	Descrizione
	Livello di potenza; 1 = livello basso / 9 = livello alto.
	Livello Boost attivo.
	Nessuna pentola (adatta) nella zona di cottura (simbolo di rilevamento pentola).
	Indicatore di calore residuo; Il piano cottura è dotato di un indicatore di calore residuo per ogni zona di cottura che mostra quelle ancora calde. Anche se il piano cottura è spento, l'indicatore "H" rimane acceso finché la zona di cottura è calda! Non toccarli se questo indicatore è acceso.
	Pericolo! Rischio di ustioni.
	Blocco di sicurezza per bambini attivo.
	Funzione di riscaldamento automatico attiva.
	Funzione Keep warm attiva.
	Funzione Pausa attiva.
	Zone di induzione Bridge collegate attive.
	Timer attivo.

Display estrattore	Descrizione
	Livello di velocità dell'estrattore: 1 = livello basso / 9 = livello alto.
	Livello Boost attivo.
	'FG': Indicazione della saturazione del filtro antigrasso.
	'FC': Indicazione della saturazione del filtro antiodori.
	Timer attivo.

Display del timer	Descrizione
	Il timer non è stato impostato.
	Il timer è stato impostato (25 minuti).

IL TUO PIANO COTTURA A INDUZIONE



Prima dell'uso, leggere le istruzioni di sicurezza separate.

Sicurezza della temperatura

Un sensore misura continuamente la temperatura di alcune parti del piano cottura. Ogni zona di cottura è dotata di un sensore che misura la temperatura del fondo della pentola per evitare rischi di surriscaldamento quando l'acqua della pentola giunge a bollore. In caso di temperature troppo elevate, il livello di cottura si riduce automaticamente o il piano cottura si spegne automaticamente.

Limitatore del tempo di cottura



Il limitatore del tempo di cottura è una funzione di sicurezza integrata nel piano cottura. Si attiva se si dimentica di spegnere il piano cottura. A seconda del livello di potenza selezionato, il tempo di cottura sarà limitato come segue:

Livello di potenza	Tempo massimo di funzionamento (in ore, minuti)
1	8 ore, 36 min.
2	6 ore, 42 min.
3	5 ore, 18 min.
4	4 ore, 18 min.
5	3 ore, 30 min.
6	2 ore, 18 min.
7	2 ore, 18 min.
8	1 ora, 48 min.
9	1 ora, 30 min.
P (boost)	5 min (dopodiché torna di nuovo al livello 9)

Gestione della potenza

Due zone di cottura, poste una di fronte all'altra, si influenzano a vicenda. Quando entrambe queste zone di cottura vengono accese simultaneamente, la potenza viene automaticamente condivisa. Quando si seleziona la funzione Boost, l'altra zona di cottura viene impostata a un livello leggermente inferiore. Se una zona di cottura è impostata su Boost e si desidera impostare l'altra su 9, la zona di cottura con Boost passerà automaticamente a un livello inferiore. La funzione di riscaldamento automatico è disattivata.

IL TUO PIANO COTTURA A INDUZIONE

Uso dei tasti a sfioramento e del comando a scorrimento

Per ottenere risultati ottimali, posizionare la punta del dito su un tasto o sul comando a scorrimento. Non è necessario applicare alcuna pressione. I tasti a sfioramento reagiscono solo alla leggera pressione di un dito.

Non azionare i comandi utilizzando altri oggetti.

Rumori legati all'induzione

Ticchettio

È causato dal limitatore di capacità delle zone di sinistra e di destra. Il ticchettio può verificarsi anche a livelli di cottura molto bassi.

Le pentole fanno rumore

Le pentole possono fare un po' di rumore durante la cottura. Questo è causato dall'energia che scorre dal piano cottura alla pentola. Ad alti livelli, è perfettamente normale per alcune pentole. Non danneggia né le pentole né il piano cottura.

La ventola fa rumore

Per aumentare la durata di vita dei componenti elettronici, l'apparecchio è dotato di una ventola. Se si usa l'apparecchio in maniera intensiva, la ventola si attiva in modo da raffreddarlo; in tal caso, si avvertirà un ronzio. La ventola rimane in funzione per alcuni minuti dopo che il piano cottura è stato spento.

Pentole adatte

La cottura a induzione richiede l'uso di pentole con un fondo piatto e spesso (minimo 2,25 mm). Usare pentole di materiale magnetico o con un fondo a sandwich. Non utilizzare pentole in rame, alluminio o ceramica.



Usare solo pentole con un fondo piatto. Un fondo cavo o arrotondato può interferire con il funzionamento della protezione di cottura a vuoto, causando il surriscaldamento dell'apparecchio.

Questo può causare dei danni. Tutti i danni causati dall'uso di pentole non adeguate o lasciate sul piano acceso senza acqua all'interno sono esclusi dalla garanzia.



Le pentole utilizzate su un piano cottura a gas non sono adatte all'uso su un piano cottura a induzione.



Prestare attenzione alle pentole sottili in lamiera smaltata! Se la pentola è troppo usurata, la smaltatura potrebbe danneggiarsi se si applicano livelli di potenza elevati. Alti livelli di potenza possono causare la deformazione del fondo della pentola.

PRIMA DEL PRIMO UTILIZZO



Attenzione

Assicurarsi che il fondo della pentola e la superficie della zona di cottura siano puliti e asciutti. Sollevare le pentole senza farle scivolare sul piano cottura.

Rilevamento della pentola

- Se il piano cottura non rileva la presenza di una pentola (adatta) dopo averne posizionata una in una zona di cottura, sul display inizierà a lampeggiare il simbolo di rilevamento pentola. Dopo 20 secondi, la zona di cottura si spegne.
- Se si rimuove una pentola dalla zona di cottura durante la cottura, sul display comparirà il simbolo di rilevamento pentola. La zona di cottura si spegne. Il simbolo scomparirà dopo aver riposizionato la pentola.
La zona di cottura si riaccende con il livello di potenza impostato in precedenza.
- Il rilevamento automatico della pentola (regolabile: attivo di default) rileva automaticamente la presenza di una pentola collocata in una delle zone di cottura. Il display della zona di cottura si illumina in maniera più intensa.

Livelli di cottura

Le zone di cottura sono caratterizzate da 9 livelli e un livello "boost" (P). Impostare il livello di cottura con il dito agendo sul comando a scorrimento. Facendo scorrere questo comando, è possibile modificare l'impostazione di cottura. Verso destra, il livello aumenta, mentre verso sinistra diminuisce. Quando si allontana il dito dal cursore, la zona di cottura inizia a funzionare al livello impostato.

Funzione Boost

- È possibile utilizzare la funzione "boost" per cuocere al livello massimo per periodi di tempo brevi (max 5 minuti). Una volta trascorso il tempo massimo consentito, la potenza verrà ridotta al livello 9.

PRIMA DEL PRIMO UTILIZZO

Linee guida per la cottura

I livelli dipendono dalla quantità e dalla composizione del contenuto della pentola, pertanto la tabella sottostante è da intendersi unicamente come linea guida.

Utilizzare il livello "boost" per:

- portare rapidamente a ebollizione i cibi o i liquidi;
- far "restringere" le verdure;
- scaldare olio e grasso;
- wok.

Utilizzare il livello 9 per:

- scottare le carni;
- cucinare il pesce;
- cucinare frittate;
- friggere le patate bollite;
- friggere i cibi.

Utilizzare i livelli 7 e 8 per:

- friggere i pancake e cuocere i french toast;
- friggere fette spesse di carne impanata;
- friggere il pesce impanato;
- friggere la pancetta (grasso);
- cuocere le patate crude;
- cuocere la pasta;
- friggere fette sottili di carne (impanate).

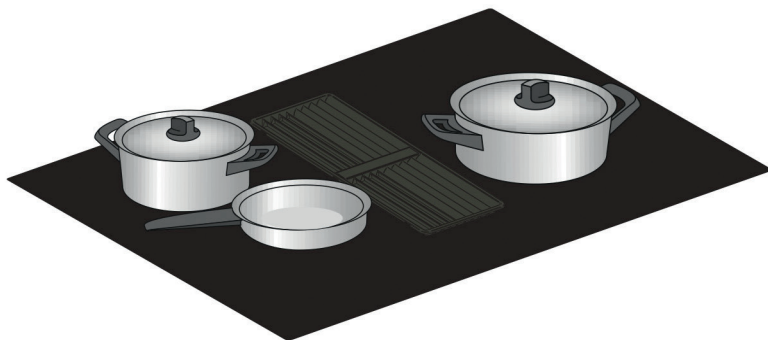
Utilizzare i livelli 4-6 per:

- ultimare la cottura di grandi quantità di cibo;
- scongelare le verdure;
- friggere fette spesse di carne impanata.

Utilizzare i livelli 1-3 per:

- far bollire il brodo a fuoco lento;
- cuocere la carne in umido;
- cuocere le verdure a fuoco lento;
- sciogliere il cioccolato;
- sobbollire;
- fondere il formaggio.

PRIMA DEL PRIMO UTILIZZO

Uso del downdraft

- ▷ *Posizionare il coperchio su un lato della pentola, con l'apertura verso il lato di estrazione, in modo da garantire la massima estrazione.*



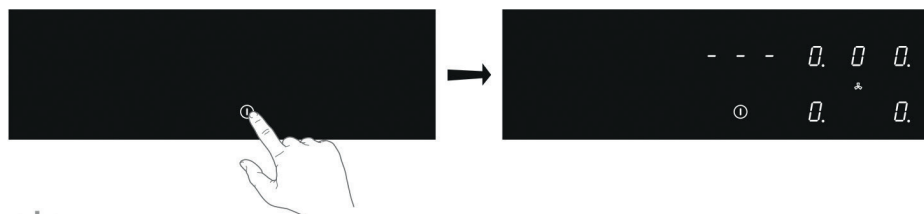
FUNZIONAMENTO DEL PIANO COTTURA



Leggere molto attentamente il capitolo "Prima del primo utilizzo" prima di iniziare a cucinare in modo da evitare usi scorretti del piano cottura.

Iniziare a cucinare

1. Toccare e tenere premuto il tasto on/off fino a quando non si avverte un segnale acustico.
 - ▷ Tutti i display si illuminano; il piano cottura a induzione è in modalità standby.
 - ▷ Le zone di cottura e l'estrattore hanno livello di potenza zero.



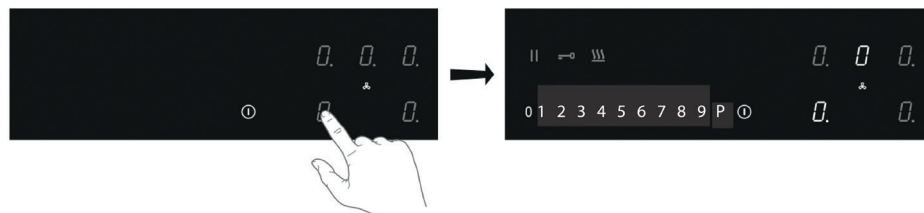
Se il piano cottura non viene utilizzato per 20 secondi, si spegne automaticamente.

2. Posizionare una pentola adatta sulla zona di cottura.
 - ▷ La zona di cottura rileva automaticamente la pentola; il display corrispondente si illumina in maniera più intensa.



Fintanto che il display della zona di cottura rimane illuminato, la zona di cottura resta selezionata ed è quindi possibile impostare il livello di potenza.

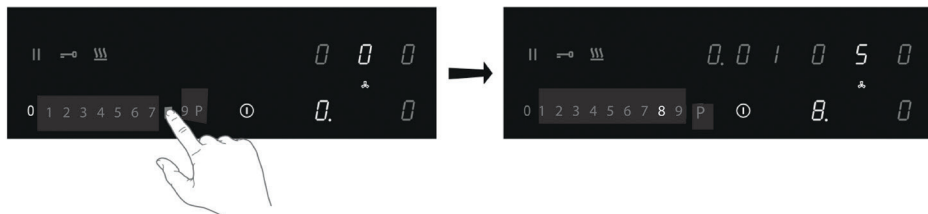
3. Una volta trascorso il tempo di risposta, o durante la cottura, è possibile attivare la zona di cottura selezionando manualmente il display della zona di cottura desiderata.



FUNZIONAMENTO DEL PIANO COTTURA

4. Impostare il livello di potenza entro 10 secondi, toccando il comando a scorrimento.

- ▷ La zona di cottura si avvia al livello impostato.



Boost

È possibile utilizzare la funzione Boost per cuocere al livello massimo di cottura per non più di 5 minuti.

La funzione Boost

può essere utilizzata simultaneamente in non più di due zone di cottura vicine.

1. Toccare il livello di potenza P per selezionare la funzione Boost.

- ▷ Sul display compare "P".
- ▷ Una volta trascorso il tempo massimo consentito, la potenza verrà ridotta al livello di potenza 9.

Simbolo di rilevamento della pentola

Se sul display compare il simbolo di rilevamento della pentola:



- la pentola non è stata posizionata nella zona di cottura corretta;
- la pentola utilizzata non è adatta alla cottura a induzione;
- la pentola è troppo piccola o non centrata correttamente sulla zona di cottura.
 - ▷ Se la pentola utilizzata non è adatta alla cottura a induzione, la zona di cottura non si attiverà.

FUNZIONAMENTO DEL PIANO COTTURA

Fine della cottura

1. Impostare il livello di potenza su "0" per spegnere la zona di cottura.
2. Spegnere il piano cottura a induzione toccando il tasto On/Off.



*Se troppo calda, sul display della zona di cottura compare il simbolo **H**. Il simbolo scompare quando la superficie si è raffreddata a una temperatura sicura. Questa funzione può anche essere usata come funzione di risparmio energetico; se si desidera riscaldare altre pentole, è infatti possibile utilizzare la zona di cottura ancora calda.*

Attivare la funzione di riscaldamento automatico

Questa funzione imposta la zona di cottura al livello più alto per portare rapidamente la pentola alla temperatura richiesta. Dopo un intervallo di tempo predefinito, il livello di potenza ritorna al livello stabilito. Questa funzione è disponibile per i livelli di potenza da 1 a 8.

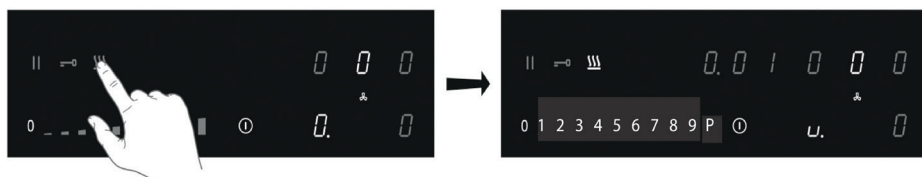
Livello di potenza	Tempo di riscaldamento (secondi)
1	48
2	144
3	230
4	312
5	408
6	120
7	168
8	216

1. Accendere il piano cottura e selezionare la zona di cottura desiderata.
2. Toccare e tenere premuto il comando a scorrimento per almeno 3 secondi al livello desiderato (da 1 a 8).
 - ▷ *Sul display appare una "A" alternata al livello di potenza selezionato. Una volta trascorso il tempo di riscaldamento automatico, la zona di cottura passa automaticamente al livello selezionato, che viene visualizzato in maniera fissa sul display.*
3. Per interrompere la funzione di riscaldamento automatico, selezionare la zona di cottura e toccare il comando a scorrimento.

FUNZIONAMENTO DEL PIANO COTTURA

Attivare la funzione Keep warm

1. Accendere il piano cottura e posizionare una pentola adatta su una delle zone di cottura.
2. Toccare il tasto della zona di cottura desiderata.
 - ▷ Lo "0" della zona di cottura selezionata si illumina e viene emesso un singolo segnale acustico.
3. Toccare il tasto Keep warm.
 - ▷ Sul display compare il simbolo "u", a indicare che la funzione Keep warm è stata selezionata correttamente.



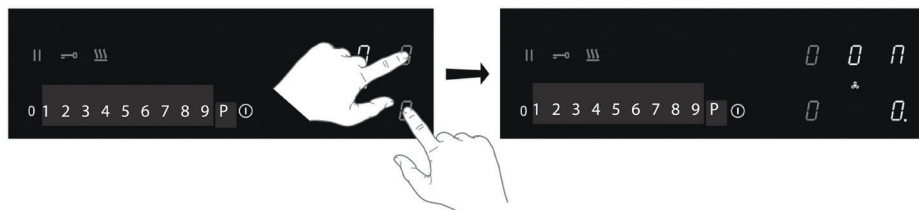
4. Impostare il livello di potenza su "0" o toccare il tasto Keep warm per disattivare la funzione corrispondente.

Collegamento delle zone di cottura a induzione Bridge

È possibile collegare tra loro due zone di cottura a induzione Bridge. Questo crea un'unica grande zona che può essere usata, per esempio, con una piastra o una pentola per il pesce sullo stesso livello di potenza. La pentola deve essere abbastanza grande da coprire il centro della zona di cottura a induzione Bridge anteriore e posteriore (almeno 22 cm).

Collegamento delle zone di cottura a induzione Bridge

1. Accendere il piano cottura.
2. Toccare simultaneamente i tasti della zona di cottura di destra.
 - ▷ Il display della zona di cottura posteriore mostra un simbolo di collegamento per indicare che le due zone di cottura sono collegate.

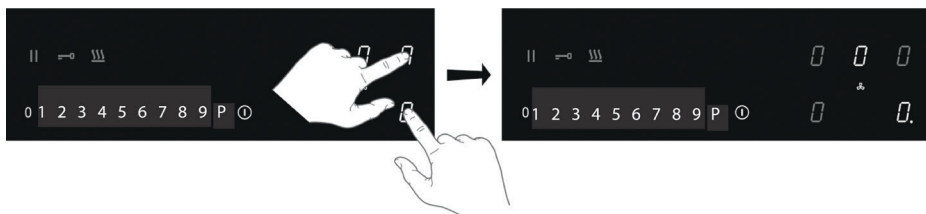


3. Impostare il livello di potenza toccando il comando a scorrimento.
 - ▷ Il display della zona di cottura anteriore mostra il livello di potenza.

FUNZIONAMENTO DEL PIANO COTTURA

Scollegamento delle zone di cottura a induzione Bridge

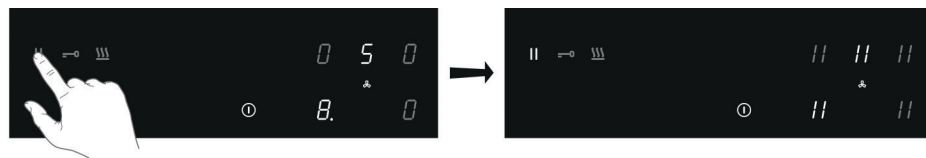
1. Toccare simultaneamente i tasti delle zone di cottura collegate.
 - ▷ Il simbolo del collegamento scomparirà dal display della zona di cottura posteriore.



Pausa cottura

Questa funzione interrompe temporaneamente l'attività di cottura (max 10 minuti); l'estrazione passa al livello più basso e i timer vengono messi in pausa.

1. Toccare il tasto Pausa.
 - ▷ Su tutti i display compare il simbolo di pausa.



2. Per continuare la cottura, toccare il tasto pausa per almeno 1 secondo finché non lampeggia.
3. Toccare qualsiasi altro tasto entro 10 secondi per proseguire il processo di cottura.
 - ▷ Se la funzione di pausa non viene disattivata, il piano cottura si spegne automaticamente dopo 10 minuti.

Funzione di richiamo

Se il piano cottura è stato spento accidentalmente con il tasto On/Off, tutte le impostazioni possono essere ripristinate utilizzando la funzione di richiamo.

1. Toccare nuovamente il tasto on/off entro 6 secondi.
 - ▷ Il tasto pausa lampeggia.
2. Selezionare il tasto pausa entro 6 secondi.
 - ▷ Le impostazioni precedenti sono di nuovo attive.

FUNZIONAMENTO DEL PIANO COTTURA

Usare il contaminuti

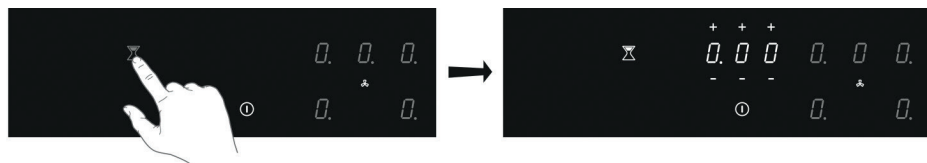


Il contaminuti non è collegato a una zona di cottura, non spegne una zona di cottura né l'estrattore.

Il piano cottura è acceso.

1. Toccare il tasto corrispondente per accendere il contaminuti.

- ▷ Sul display del timer comparirà "0.00".



2. Utilizzare il tasto "+" o "-" per impostare il tempo desiderato (da 1 minuto a 9 ore e 59 minuti).

- ▷ Il numero a sinistra del display del timer mostra le ore, mentre gli altri indicano i minuti.
- ▷ Una volta impostato l'intervallo, il conto alla rovescia avrà inizio.
- ▷ Il display del timer mostrerà il tempo residuo.
- ▷ Gli ultimi 10 minuti saranno visualizzati in minuti e secondi.
- ▷ Una volta trascorso l'intervallo impostato, il timer inizierà a lampeggiare e l'allarme si attiverà.

3. Toccare il display del timer per disattivare l'allarme.

- ▷ L'allarme si disattiva automaticamente dopo 2 minuti.



Toccare il tasto del contaminuti e selezionare "-" per impostare "0.00" in modo da spegnere il contaminuti prima della fine dell'intervallo.



Quando il piano cottura è spento, toccare il tasto on/off due volte per spegnere il contaminuti prima della fine dell'intervallo.

FUNZIONAMENTO DEL PIANO COTTURA

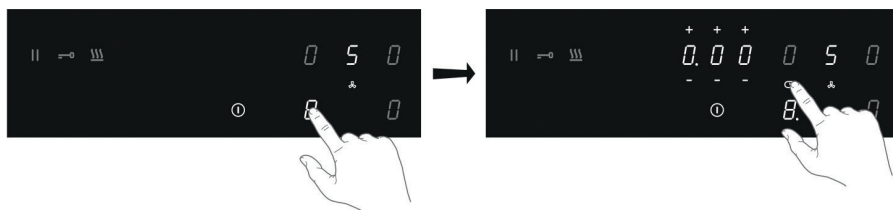
Uso del timer



Il timer è collegato a una zona di cottura. Una volta trascorso il tempo impostato, la zona di cottura si spegne automaticamente.

Il piano cottura è acceso e per almeno una zona di cottura è stato impostato un livello di potenza.

1. Toccare il tasto relativo alla zona di cottura desiderata.
2. Toccare il simbolo del timer.
 - ▷ Il simbolo del timer attivo si illumina.
 - ▷ Sul display del timer comparirà "0.00".



3. Utilizzare il tasto "+" o "-" per impostare il tempo desiderato (da 1 minuto a 9 ore e 59 minuti).
 - ▷ Il numero a sinistra del display del timer mostra le ore, mentre gli altri indicano i minuti.
 - ▷ Una volta impostato l'intervallo, inizia il conto alla rovescia e il simbolo del timer lampeggia lentamente.
 - ▷ Il display del timer mostrerà il tempo residuo.
 - ▷ Gli ultimi 10 minuti saranno visualizzati in minuti e secondi.
 - ▷ La zona di cottura selezionata si spegne automaticamente allo scadere dell'intervallo impostato.
 - ▷ Una volta trascorso l'intervallo impostato, il timer inizierà a lampeggiare e l'allarme si attiverà.
4. Toccare il simbolo del timer per disattivare l'allarme.
 - ▷ L'allarme si disattiva automaticamente dopo 2 minuti.



Tutte le zone di cottura possono avere un timer impostato. Il display mostrerà sempre l'intervallo della zona di cottura con il minor tempo residuo.

Modificare l'intervallo di cottura preimpostato

L'intervallo di cottura può essere modificato in qualsiasi momento durante il funzionamento.

1. Toccare il tasto relativo alla zona di cottura interessata.
2. Toccare il simbolo del timer.
3. Utilizzare il tasto "+" o "-" per modificare l'ora.

FUNZIONAMENTO DEL PIANO COTTURA

Controllo del tempo di cottura residuo

1. Toccare il tasto della zona di cottura per selezionare la zona di cui si desidera visualizzare il tempo residuo.
 - ▷ Una zona collegata al timer è identificata da un simbolo del timer lampeggiante sopra il display della zona di cottura.
 - ▷ Il timer mostrerà il tempo residuo relativo alla zona di cottura selezionata.
 - ▷ Durante gli ultimi 10 minuti di conto alla rovescia, il tempo residuo sarà visualizzato in minuti e secondi.

Spegnere il timer

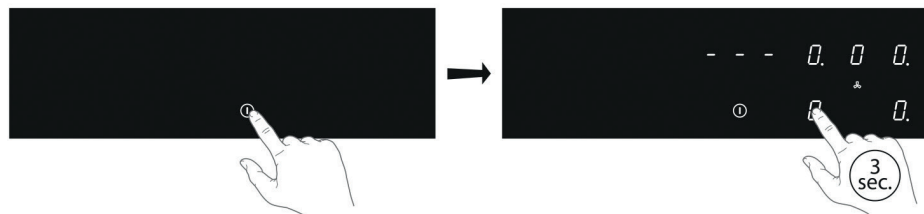
Per spegnere il timer prima dello scadere dell'intervallo preimpostato:

1. Toccare il tasto relativo alla zona di cottura per selezionare la zona di cui si desidera spegnere il timer.
 - ▷ Una zona collegata al timer è identificata da un simbolo del timer lampeggiante sopra il display della zona di cottura.
2. Toccare il simbolo del timer.
3. Toccare il tasto "--" per impostare l'intervallo su "0.00".
 - ▷ Il simbolo del timer si spegne.
4. Toccare nuovamente il simbolo del timer per confermare l'impostazione.

Blocco di sicurezza per bambini

Per attivare il blocco di sicurezza per bambini, è necessario completare i passaggi descritti di seguito entro 10 secondi.

1. Accendere il piano cottura.
2. Toccare e tenere premuto uno dei tasti della zona di cottura per 3 secondi.



3. Rilasciare e far scorrere il dito da 0 a 9 lungo il comando a scorrimento.
 - ▷ Su tutti i display comparirà il simbolo "L".

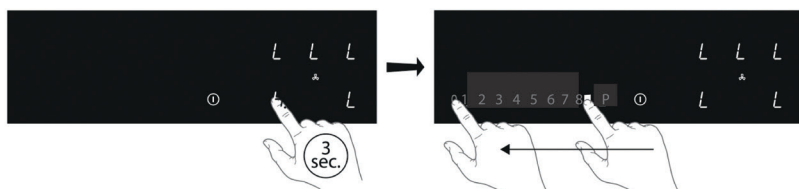


FUNZIONAMENTO DEL PIANO COTTURA

Il piano cottura è bloccato e impedisce qualsiasi accensione involontaria. Dopo 20 secondi, il piano cottura si spegne automaticamente.

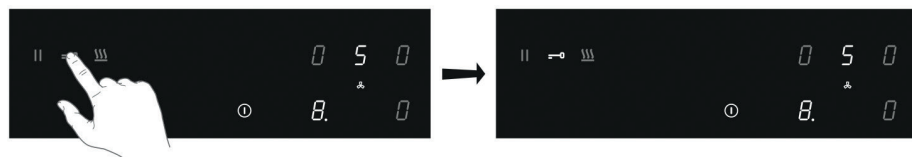
Per disattivare il blocco di sicurezza per bambini, completare i passaggi descritti di seguito entro 10 secondi.

1. Accendere il piano cottura.
2. Toccare e tenere premuto uno dei tasti della zona di cottura per 3 secondi.
3. Rilasciare e far scorrere il dito da 9 a 0 lungo il comando a scorrimento.



Funzione di bloccaggio per una rapida pulizia durante la cottura

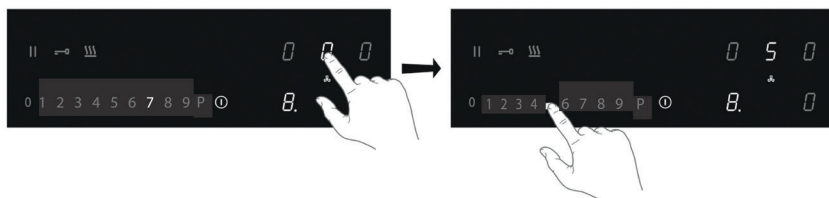
1. Toccare il tasto di blocco.
 - ▷ Il tasto di blocco si illumina; le impostazioni del piano cottura vengono bloccate per consentire una rapida pulizia.
2. Toccare nuovamente il tasto di blocco dopo la pulizia rapida per disattivare la funzione.



FUNZIONAMENTO DELL'ESTRATTORE

Accensione e spegnimento manuale dell'estrattore

1. Toccare il tasto di estrazione.
 - ▷ *Il display dell'estrattore si accende.*
2. Impostare il livello di velocità dell'estrattore entro 3 secondi toccando il comando a scorrimento (da 1 a 9).
 - ▷ *L'estrattore si accende alla velocità di estrazione impostata.*
 - ▷ *Impostare un livello più alto o più basso utilizzando il comando a scorrimento.*



3. Impostare il livello di velocità dell'estrattore su "0" per spegnere l'estrattore.
4. Spegnere il piano cottura a induzione toccando il tasto on/off.



In modalità di ricircolo, l'estrattore funzionerà in modalità di follow-up per altri 20 minuti quando il piano cottura è spento.

Boost

È possibile utilizzare la funzione Boost per estrarre al livello più alto per una durata non superiore a 6 minuti.

1. Toccare il livello P per selezionare la funzione Boost.
 - ▷ *Sul display comparirà "P".*
 - ▷ *Una volta trascorso il tempo massimo consentito, la velocità dell'estrattore verrà ridotta al livello 9.*



In modalità di ricircolo non è previsto alcun limite di tempo e la funzione Boost rimane attiva.

2. Impostare il livello di velocità dell'estrattore su "0" per spegnere l'estrattore.
3. Spegnere il piano cottura a induzione toccando il tasto on/off.

FUNZIONAMENTO DELL'ESTRATTORE

Accensione e spegnimento della modalità di estrazione automatica

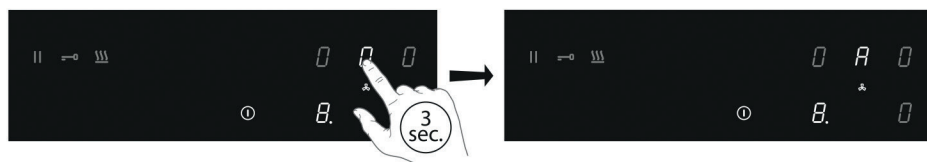


Nella modalità di estrazione automatica, il livello di estrazione si adatta automaticamente all'uso delle zone di cottura.

Una zona di cottura è in funzione (livello 8) e la modalità di estrazione automatica è attiva (livello 5).

1. Tenere premuto il tasto di estrazione per tre secondi.

▷ Sul display comparirà "A".



2. Premere nuovamente il tasto di estrazione per tre secondi per disattivare la modalità di estrazione automatica.

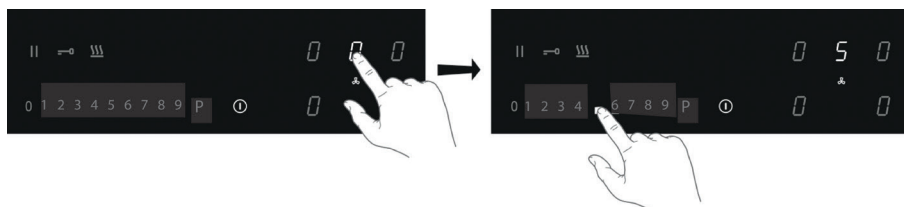
Impostare un numero di minuti di ritardo

Utilizzare questa funzione per spegnere l'estrattore con un ritardo predefinito.



La modalità di estrazione automatica deve essere disattivata.

1. Accendere il piano cottura.
2. Selezionare il tasto di estrazione e impostare il livello di velocità dell'estrattore.

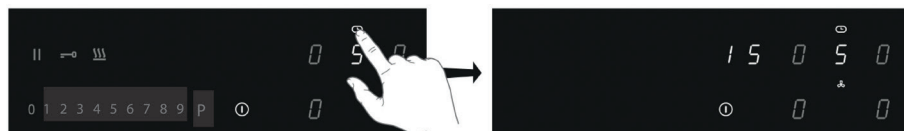


3. Toccare il simbolo del timer.
 - ▷ Il simbolo del timer dell'estrattore si illumina.

FUNZIONAMENTO DELL'ESTRATTORE

4. Utilizzare il tasto "+" o "-" per impostare il tempo di ritardo desiderato.

- ▷ Il conto alla rovescia si avvia automaticamente.
- ▷ L'estrattore si spegne al termine del tempo impostato.



Saturazione del filtro antigrasso

Dopo 30 ore di funzionamento, sul display dell'estrattore verranno visualizzati alternativamente "F" e "G", a indicare che è necessario eseguire la manutenzione del filtro antigrasso (v. "Manutenzione/Pulizia dei filtri").

L'indicazione di saturazione del filtro antigrasso è sempre attiva.

Saturazione del filtro antiiodori

Per impostazione predefinita, l'indicazione di saturazione del filtro antiiodori è disattivata (quando l'estrazione funziona in modalità canalizzata). Attivare l'indicazione di saturazione del filtro antiiodori se l'estrattore è installato come applicazione di ricircolo; v. "Menu utente".

Dopo 120 ore di funzionamento, sul display dell'estrattore verranno visualizzati alternativamente "F" e "C", a indicare che è necessario eseguire la manutenzione del filtro antiiodori (v. "Manutenzione").

- Se si utilizza un filtro combinato antiiodori/polveri sottili, il filtro deve essere sostituito al più tardi dopo 1 anno.

Azzerare la memoria dell'indicazione di saturazione del filtro

Azzerare la memoria dopo aver sostituito il filtro antigrasso e/o il filtro antiiodori

1. Accendere il piano cottura.
2. Toccare e tenere premuto il tasto di estrazione per 3 secondi.
 - ▷ Sul display dell'estrattore "F" e "G" o "F" e "C" scompariranno e nella memoria ripartirà il conteggio.

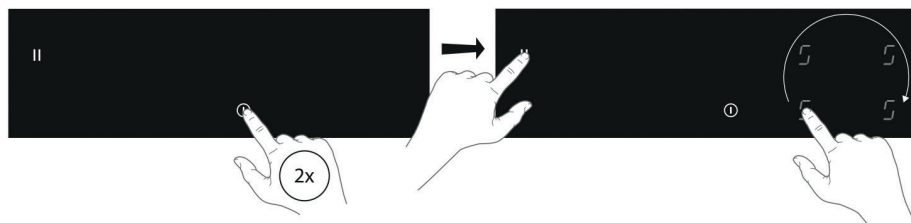
MENU UTENTE

Il menu utente permette all'utente di impostare i segnali sul piano cottura in base alle proprie esigenze. Questo riguarda sia i segnali acustici (tono e volume) che quelli visivi.

Codice del menu	Descrizione	Valore di configurazione
U0	Potenza totale disponibile per l'apparecchio	Da 1400 W a 7400 W (predefinito) secondo incrementi da 100 W
U1	Modalità canalizzata / Modalità di ricircolo	0: modalità canalizzata (predefinito) 1: modalità di ricircolo
U2	Suono del tasto volume	0 (spento) - 1 - 2 - 3 max (predefinito)
U3	Segnale di allarme del volume	0 (spento) - 1 - 2 - 3 max (predefinito)
U4	Livello di illuminazione del display	Max 0 (predefinito)- 1 - 2 - 3 - 4 - 5 - 6 - 7 - 8 - 9 Min
U5	Animazione del conto alla rovescia	0: off (predefinito) 1: on
U6	Rilevamento automatico della pentola	0: off 1: on (predefinito)
U7	Segnale acustico del timer del conto alla rovescia	0: segnale acustico per 120 secondi (predefinito) 1: segnale acustico per 10 secondi 2: nessun segnale acustico

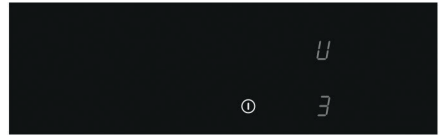
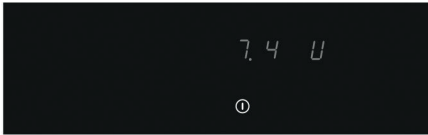
Aprire il menu utente

1. Toccare il tasto on/off due volte entro tre secondi.
 - ▷ Il tasto pausa lampeggia.
2. Toccare e tenere premuto il tasto pausa.
3. Quindi, selezionare tutti i tasti della zona di cottura in senso orario (iniziare con il tasto della zona di cottura anteriore sinistra).



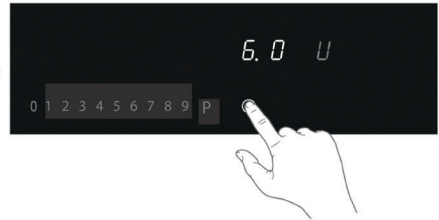
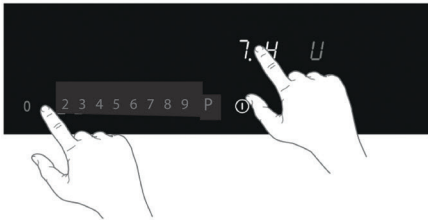
MENU UTENTE

4. Rilasciare il tasto di pausa.
 - ▷ Sul display della zona di cottura posteriore sinistra, "U" lampeggia alternandosi al numero "0".
 - ▷ Con il codice menu U0, il valore di configurazione viene visualizzato sul display del timer.
 - ▷ Per tutti gli altri codici di menu, il valore di configurazione viene visualizzato display della zona di cottura anteriore sinistra.

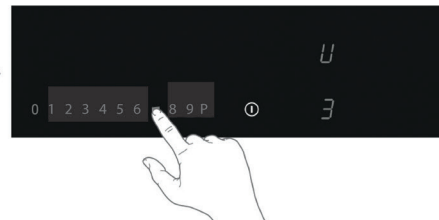
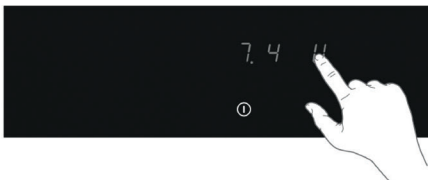
**Codice menu U0 (potenza massima totale)**

Se l'impianto elettrico domestico ha limiti di corrente diversi, il consumo massimo di potenza del piano cottura può essere ridotto.

1. Aprire il menu utente.
2. Toccare una volta il display del timer e usare il lato sinistro del comando a scorrimento per diminuire la potenza secondo decrementi di 0,1 kW. Usare il lato destro del comando a scorrimento per aumentare la potenza secondo incrementi di 0,1 kW.
3. Confermare l'impostazione; toccare e tenere premuto il tasto on/off finché non viene emesso un segnale acustico.

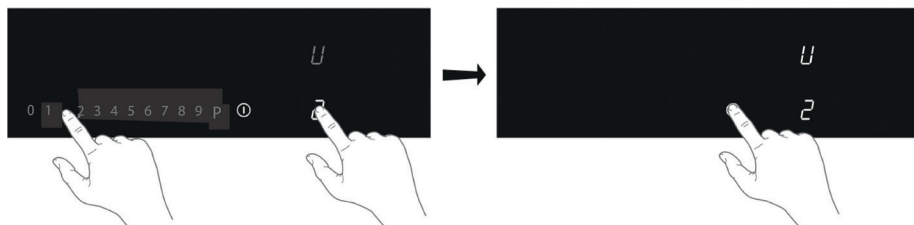
**Codice menu U1 - U7**

1. Aprire il menu utente.
2. Toccare il tasto della zona di cottura posteriore sinistra e selezionare il codice del menu corretto (v. tabella).



MENU UTENTE

3. Toccare il tasto della zona di cottura anteriore sinistra e selezionare il valore corretto (v. tabella).
4. Confermare l'impostazione; toccare e tenere premuto il tasto on/off finché non viene emesso un segnale acustico.



LIMITATORE DI POTENZA



L'impostazione del limitatore di potenza deve essere effettuata solo da un installatore esperto e qualificato. Leggere attentamente le norme di sicurezza e le istruzioni di installazione.

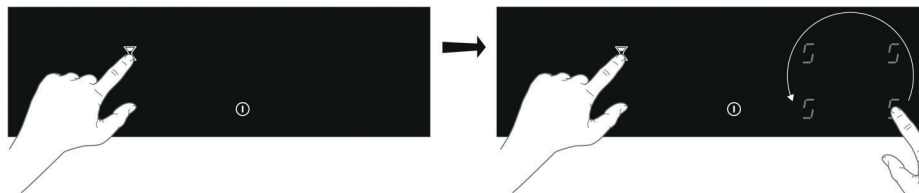
Il piano cottura è dotato di un limitatore di potenza. Se la potenza totale delle zone di cottura in funzione supera la quantità massima di potenza disponibile, la potenza viene automaticamente ridotta. Il display della zona di cottura la cui potenza viene ridotta inizia a lampeggiare; il livello viene poi ridotto automaticamente alla massima potenza disponibile.

- Il limitatore è impostato di fabbrica a 7400 W, ma è possibile modificare questa impostazione fino a 1400 W ad intervalli da 100 W ciascuno.

Configurazione del limitatore di potenza

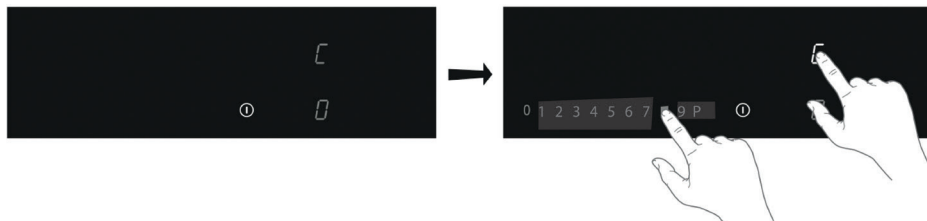
Assicurarsi che non ci siano pentole o pentole sul fornello prima di iniziare!

1. Scollegare l'apparecchio dall'alimentazione principale rimuovendo il connettore di alimentazione dalla presa, togliendo il fusibile o spegnendo l'interruttore automatico.
 2. Ricollegare l'apparecchio alla rete elettrica.
 - *Il tasto del contaminuti lampeggia.*
- **Eeguire i passaggi descritti di seguito entro 2 minuti dal collegamento del piano cottura all'alimentazione.**
 - **Assicurarsi che tutte le zone di cottura siano spente.**
3. Toccare e tenere premuto il tasto del contaminuti.
 4. Quindi, selezionare tutti i tasti della zona di cottura in senso antiorario (iniziare con il tasto della zona di cottura anteriore destra).

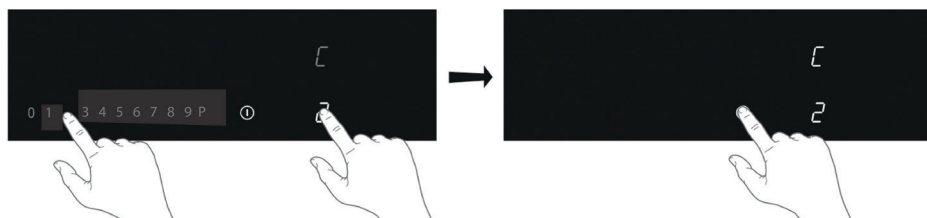


LIMITATORE DI POTENZA

5. Rilasciare il tasto del contaminuti.
 - ▷ Sul display della zona di cottura posteriore sinistra, "C" lampeggia alternandosi al numero "0".
 - ▷ Sul display della zona di cottura anteriore sinistra compare il valore di configurazione.
6. Toccare il tasto della zona di cottura posteriore sinistra e selezionare "8" usando il comando a scorrimento.
 - ▷ Sul display della zona di cottura posteriore sinistra, "C" lampeggia alternandosi al numero "8".



7. Toccare il tasto della zona di cottura anteriore sinistra e selezionare la limitazione di potenza desiderata con il cursore .
8. Quindi, toccare e tenere premuto il tasto On/Off fino a quando tutti i segmenti del display scompaiono.
 - ▷ Il piano cottura è ora pronto per l'uso con il limitatore di potenza selezionato attivo.



MANUTENZIONE

Pulizia

Primo utilizzo

- Pulire e asciugare la superficie del vetro con un panno umido prima del primo utilizzo.
- Asciugare l'apparecchio dopo averlo pulito con un panno umido, per evitare la formazione di calcare.

Pulizia giornaliera

- Anche se i residui di cibo non bruciano sul vetro, si consiglia comunque di pulire il piano cottura immediatamente dopo l'uso.
- Eseguire la pulizia giornaliera utilizzando un panno umido con un detergente delicato.
- Asciugare con carta da cucina o con uno strofinaccio asciutto.

Macchie ostinate

- È possibile rimuovere le macchie ostinate anche utilizzando un detergente delicato, come quello per i piatti.
- Rimuovere i segni dell'acqua e le incrostazioni di calcare con l'aceto.
- I segni di metallo (causati dallo scivolamento delle pentole) possono essere difficili da eliminare. In tal caso, sono disponibili degli agenti speciali.
- Usare un raschietto per vetro per eliminare i residui di cibo, in particolare plastica e zucchero fusi.



Non usare mai prodotti abrasivi, in quanto lasciano graffi in cui si possono accumulare sporco e calcare. Non usare mai oggetti appuntiti, come lana d'acciaio o spugne.

Filtri e vassoio di raccolta

Filtri antigrasso

Dopo 30 ore di funzionamento, sul display dell'estrattore verranno visualizzati alternativamente "F" e "G", a indicare che è necessario pulire i filtri antigrasso.

Questi devono essere puliti una volta al mese (o quando segnalato dall'indicatore di saturazione del filtro). Non utilizzare detergenti aggressivi e pulire il filtro manualmente o in lavastoviglie a bassa temperatura e con un programma a ciclo breve. Inserire i filtri nella lavastoviglie con l'apertura verso il basso, in modo che l'acqua possa uscire. I detergenti usati nelle lavastoviglie opacizzano l'alluminio più rapidamente. Questo è normale.

Dopo la pulizia e la sostituzione dei filtri antigrasso, azzerare la memoria dell'indicatore di saturazione del filtro.

Filtri di ricircolo - (solo per versione con filtro)

I filtri possono essere ripristinati in forno, meglio se ventilati.

La temperatura del forno deve essere di 150°-180°, temperature più elevate potrebbero danneggiare i filtri.

È meglio posizionare i mattoncini filtranti sulla griglia del forno, non preriscaldata, e lasciarli raffreddare

completamente prima di rimuovere.

Il tempo necessario per ripristinare i filtri è di almeno due ore o anche di più, a seconda dell'intensità di cottura.

Il ripristino deve essere eseguito solo in un luogo ben ventilato.

Non lavare i filtri in lavastoviglie.

I filtri di ricircolo possono essere ripristinati più volte, ma per una migliore efficienza si consiglia di farlo

sostituire ogni 1 ann

RISOLUZIONE DEI PROBLEMI



Attenzione

In caso di crepe sul piano di vetro (anche piccole), spegnere immediatamente il piano cottura e scollegarlo dalla rete elettrica. Contattare il servizio di assistenza.

Se l'apparecchio non funziona correttamente, non sempre significa che sia difettoso. Provare a risolvere il problema autonomamente, facendo riferimento alla tabella seguente. È anche possibile consultare il nostro sito web per ulteriori informazioni. Se il problema persiste, contattare il servizio di assistenza.

Sintomo	Possibile causa	Soluzione
Il display si accende quando il piano cottura viene attivato per la prima volta.	Questa è la normale configurazione.	Funzionamento normale.
La ventola continua a funzionare per alcuni minuti dopo che il piano cottura è stato spento.	Il piano cottura si sta raffreddando.	Funzionamento normale.
Le prime volte che si usa il piano cottura si avverte un leggero odore.	Il nuovo apparecchio si sta scaldando.	Si tratta di una cosa normale e scomparirà dopo alcuni utilizzi. Ventilare la cucina.
Le pentole fanno rumore durante la cottura.	Questo è causato dall'energia che scorre dal piano cottura alla pentola.	Ad alti livelli è perfettamente normale per alcune pentole. Non danneggia né le pentole né il piano cottura.
È stata accesa una zona di cottura, ma il display segnala u.	La pentola utilizzata non è adatta alla cottura a induzione o ha un diametro troppo piccolo.	Usare una pentola adatta.
Una delle zone di cottura smette improvvisamente di funzionare e viene emesso un segnale.	Il tempo impostato per il timer è terminato.	Toccare il tasto sinistro o destro del timer per disattivare l'allarme.
Il piano cottura non funziona e sul display non compare nulla.	L'alimentazione è assente a causa di un cavo o di una connessione difettosa.	Controllare i fusibili o l'interruttore elettrico (in assenza di spina).
Non appena si accende il piano cottura uno dei fusibili salta.	Il piano cottura è stato collegato in modo errato.	Contattare un installatore esperto.
Sul display compare L.	Il blocco di sicurezza per bambini è attivato.	V. il capitolo "Funzionamento del piano cottura/Blocco di sicurezza per bambini".
Codice di errore ER 03 .	Sono stati premuti due o più tasti contemporaneamente.	Non azionare più di un tasto alla volta.
	Il pannello di controllo è sporco o è coperto d'acqua.	Pulire il pannello di controllo.

RISOLUZIONE DEI PROBLEMI

Sintomo	Possibile causa	Soluzione
Codice di errore ER21 .	Surriscaldamento.	Lasciare raffreddare il piano cottura.
Codice di errore E2 .	Sovratemperatura dell'elemento di induzione. Potrebbero essere state usate delle pentole vuote.	Non riscaldare le pentole vuote.
Codice di errore E3 .	Pentola non adatta.	Usare pentole adatte.
Codice di errore E8 .	Malfunzionamento dell'estrattore. L'estrattore potrebbe essere bloccato.	Rimuovere eventuali ostruzioni e pulire l'estrattore.
Altri codici di errore.		Contattare il servizio di assistenza.

AFLIASPCB4OB04 Ed.28-09-22

@