

SERVO-DRIVE

by Blum

BLUMOTION

by Blum



SERVO-DRIVE uno

Instruction leaflet

www.blum.com

The Blum logo consists of a stylized white arrow pointing upwards and to the right, followed by the word "blum" in a bold, lowercase, sans-serif font. A registered trademark symbol (®) is located at the top right of the word "blum".

About these instructions

Thank you for your purchase. SERVO-DRIVE uno, the electrical motion support system from Julius Blum GmbH is a high-quality product that simplifies everyday kitchen tasks.

To safely enjoy the comfort of SERVO-DRIVE uno, please note the following:

- Carefully read the instruction leaflet before use.
- Please retain the instruction leaflet for the service life of SERVO-DRIVE uno.
- Please pass on this instruction leaflet to each subsequent owner or user of SERVO-DRIVE uno.

Validity and target group

This instruction leaflet is intended for all users of SERVO-DRIVE uno. Installation, setup, initial operation, maintenance and removal may only be carried out according to the separate installation instructions.

Safety

Principle

SERVO-DRIVE uno complies with current safety standards. Nevertheless, there are certain risk factors if the information in the instruction leaflet/installation instructions is not followed. Please be aware that Julius Blum GmbH is not responsible for incidental or consequential damages that may arise due to non-compliance with the instruction leaflet/installation instructions.

Safety information

- The mains plug and the Blum transformer must be easily accessible.
- Neither the Blum transformer nor any cabling should come into contact with moving parts.
- This device should not be used by persons (including children) with limited physical, sensory or mental abilities, or those with a lack of experience and/or knowledge. Unless they are supervised by a person responsible for their safety or they receive instruction on how to operate the device.

NOTE

To ensure that drawers cannot be activated unintentionally, we recommended connecting the Blum transformer to a switched outlet. For more information, please consult an electrician.

Children

⚠ WARNING

Opening drawers may pose a risk of injury to children.

- Children should be properly supervised when in the room so that they do not play with the device.
 - To ensure that SERVO-DRIVE uno is not triggered unintentionally, the switched outlet should be turned off.
-

Intended use

SERVO-DRIVE uno supports the opening of drawers and may only be used under the following conditions:

- In dry, enclosed rooms.
- In combination with pull-out systems from Julius Blum GmbH within permitted technical specifications.
- In combination with a Blum transformer.

Julius Blum GmbH is not liable for any other use.

Structural changes and spare parts

Structural changes and replacement parts not approved by the manufacturer affect the safety and functionality of SERVO-DRIVE uno and are, therefore, not allowed.

- The condition as supplied to customer may not be changed.
- Only use original spare parts from Julius Blum GmbH.
- Blum components are the only devices that should be connected to the Blum transformer.
- A max. of 2 drive units may be used per Blum transformer.
- Please make sure that the Blum distance bumper is attached.

Assembly

- All national standards must be followed for SERVO-DRIVE uno assembly. This includes, in particular, those related to the mechanical safety of moving parts and electrical cabling.
- The device may only be connected to a power supply that corresponds to the type and frequency listed on the serial tag (see Blum transformer).
- No damaged parts should be used.
- Sharp edges may damage the cable.
- The total length of the cable should not exceed 2 m.

⚠ WARNING

Danger of electric shock!

- Never open a Blum transformer.
-
- Never take apart a drive unit.
 - Make sure that moisture cannot penetrate the Blum transformer and drive unit.
 - Before the installation of SERVO-DRIVE uno make sure that there is enough space (min 44 mm) behind the pull-out back in the cabinet. By cutting out the cabinet back panel you may win additional space in the cabinet.

Troubleshooting

For information about trouble shooting, please go to:
www.blum.com/sd/troubleshooting

Cabinet care and cleaning

WARNING

Danger of electric shock!

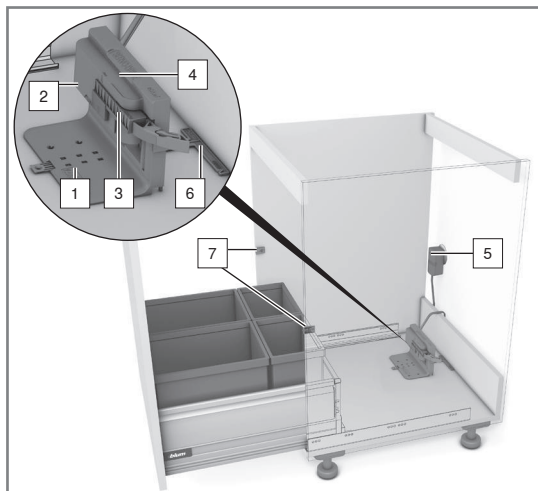
There is a danger of electric shock if fluids penetrate the Blum transformer.

- Before cleaning the drive unit and/or Blum transformer, disconnect the Blum transformer from the power.
 - Disconnect the mains plug before conducting any repair.
 - Never open a Blum transformer or drive unit.
-
- Make sure that no water or aggressive cleaning material comes in contact with the drive unit or Blum transformer – use a moist cloth.
 - If the cabling is damaged, the Blum transformer should be replaced according to the separate installation instructions.
 - Do not cover the Blum transformer with towels or other items – Danger of overheating.

SERVO-DRIVE uno for LEGRABOX/TANDEM/TANDEMBOX

SERVO-DRIVE uno supports the opening of drawers.

Orientation diagram: bottom mount waste bin solutions

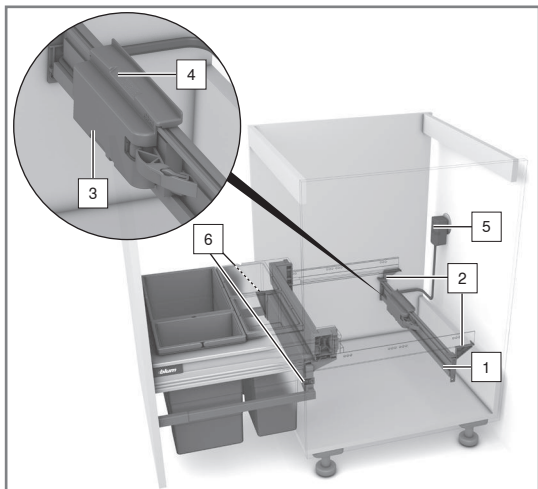


SERVO-DRIVE unit pre-mounted:

- 1 Attachment bracket
- 2 Drive unit
- 3 Transport protection
- 4 Protection against dripping water
- 5 Blum transformer including cable
- 6 Assembly device
- 7 Blum-Distance bumper

SERVO-DRIVE uno for TANDEMBOX

Orientation diagram: top mount waste bin solutions

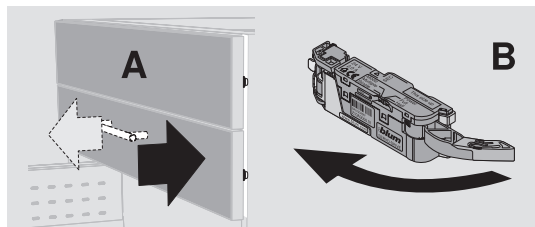


SERVO-DRIVE unit pre-mounted:

- 1 Bracket profile horizontal
- 2 Bracket profile adapter
- 3 Drive unit
- 4 Protection against dripping water
- 5 Blum transformer including cable
- 6 Blum-Distance bumper

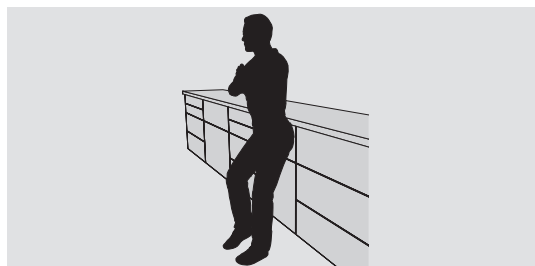
SERVO-DRIVE uno for LEGRABOX/TANDEM/TANDEMBOX

Electrical motion support system



When the front and/or handle of the drawer (A) is pulled or pressed, the eject lever of the drive unit (B) swivels forward and opens the drawer a short distance.

Leaning protection



The electrical opening support function is only triggered by a brief touch or pull. Leaning on the drawer, for example, will not open it.

Blum transformer

The Blum transformer provides power to the drive unit. Blum transformer function can be checked via the operating mode display (LED).



1 Operating mode display (LED)

NOTE

Premature wear of SERVO-DRIVE uno due to improper use.

- Do not press/pull with force against the movement direction when opening or closing the drawer.
-

Problems

Possible cause

Remedy

SERVO-DRIVE uno will neither work by pulling nor pushing.

Blum transformer is not connected to the outlet.

➤ Plug in the Blum transformer to the outlet.

Power supply interrupted.

➤ Check the circuit breaker/fuse box.
➤ If necessary, contact an authorised electrician.

Blum transformer is defective.
Cabling is defective.

➤ Replace the Blum transformer.

Max. fill height of drawer has been exceeded.

➤ Open the drawer manually.
➤ Remove the items that are too high from the drawer.

SERVO-DRIVE uno is defective.

➤ Replace the drive unit.

SERVO-DRIVE uno will only work when pulling – not when pushing.

Object is obstructing path.

➤ Remove the obstruction.

Blum distance bumper is missing or defective.

➤ Attach or replace the Blum distance bumper.

Technical data

Should only be used in dry, enclosed rooms.

Blum transformer Z10NA300.xx

Input voltage:	100–240 VAC/50–60 Hz
Input voltage Japan:	100 VAC \pm 10%/50 and 60 Hz
Input current:	0.3 A
Output voltage:	24 VDC
Nominal output current (max. 2 drive units):	0.5 A
Ambient temperature:	0 to +40°C
Protection category:	IP40
Power consumption in standby mode (without load):	<0.075 W

SERVO-DRIVE uno for TANDEM/TANDEMBOX drive unit

Supply voltage:	24 VDC
Rated current:	2.0 A
Power consumption in standby mode:	0.12 W
Ambient temperature:	0 to +50°C
Protection category:	IP20

Spare parts

Spare parts can be ordered from your distributor or furniture supplier.

Disposal

SERVO-DRIVE uno removal may only be carried out according to the separate installation instructions. All SERVO-DRIVE uno electronic components should be disposed of in a separate collection for electrical appliances as per local regulations.

Spare parts form

Name of kitchen distributor/carpenter: _____

Address: _____

In order to receive your SERVO-DRIVE spare parts as quickly as possible, your SERVO-DRIVE and/or kitchen distributor requires the following data:

Name of kitchen owner: _____

Address: _____

Commission number: _____

Fault description: _____

Part number and batch number of the defective SERVO-DRIVE component:

	Part number	Batch number	Quantity
Blum transformer:	Z10N _____	BN _____	_____
Blum-Plug-in transformer:	Z10N _____	BN _____	_____
Drive unit:	Z10 _____	BAU _____	_____
Drive unit:	21 _____	BAU _____	_____
Drive unit:	Z10 _____	BAU _____	_____
SERVO-DRIVE switch:	21 _____	BAU _____	_____
Wireless receiver:	21 _____	BAU _____	_____



The part number and the batch number can be found here

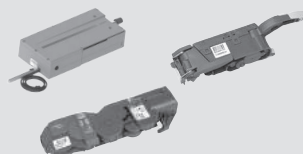
Blum transformer



Blum-Plug-in transformer:



Drive unit



SERVO-DRIVE switch



Wireless receiver



Declaration of Conformity

Issuer's name: Julius Blum GmbH
Issuer's address: Industriestraße 1, 6973 HÖCHST, AUSTRIA
Object of the declaration:
Name / Brand: Blum
Products: SERVO-DRIVE
Types: Z10NE020, Z10NA200,
Z10NE030, Z10NA300,
Z10A3000.xx, Z10ZE000,
Z10ZC000, 21xA0x1,
Z10C5000.xx, Z10C5007,
21P5020, 21.A00L33.xx



The object of the declaration described above is in conformity with the requirements of the following documents:

Document-Nr	Title	Date of issue
2014/35/EU	Low Voltage Directive (LVD)	2014-02-26
2014/30/EU	EMC-Directive	2014-02-26
2011/65/EU	RoHS-Directive	2011-06-08
2014/53/EU	Radio Equipment Directive (RED)	2014-04-16

Additional information:

The following harmonized standards were consulted for the appropriate implementation of the directives requirements listed above for all the product types mentioned as object of the declaration:

Document-Nr	Title	Date of issue
EN 55014-1:2006 + A1:2009 + A2:2011	Electromagnetic compatibility - Requirements for household appliances, electric tools and similar apparatus – Part 1: Emission	2012-05-01
EN 55014-2:2015	Electromagnetic compatibility - Requirements for household appliances, electric tools and similar apparatus – Part 2: Immunity - Product family standard	2016-01-01
EN 61000-3-2:2014	Electromagnetic compatibility (EMC) – Part 3-2: Limits - Limits for harmonic current emissions (equipment input current <= 16 A per phase)	2015-03-01
EN 61000-3-3:2013	Electromagnetic compatibility (EMC) – Part 3-3: Limits - Limitation of voltage changes, voltage fluctuations and flicker in public low-voltage supply systems, for equipment with rated current <= 16 A per phase and not subject to conditional connection	2014-03-01

Document-Nr	Title	Date of issue
EN 60335-1:2012 +A11:2014	Household and similar electrical appliances – Safety – Part 1: General requirements	2012-10-01
EN 50581:2012	Technical documentation for the assessment of electrical and electronic products with respect to the restriction of hazardous substances	2013-02-01
In addition the following standards for the product types Z10NA200, Z10NA300, Z10NE020 and Z10NE030 were used		
EN 60950-1: 2014-08	Information technology equipment - Safety – Part 1: General requirements	2014-08-01
In addition the following standards for the product type 21xA0x1 and modules 21P5020, 21.A00L33.xx plus Z10C5007 were used		
ETSI EN 300 440-2 V1.4.1	Electromagnetic compatibility and Radio spectrum Matters (ERM) - Short range devices - Radio equipment to be used in the 1 GHz to 40 GHz frequency range – Part 2: Harmonized EN covering the essential requirements of article 3.2 of the R&TTE Directive	2010-12-29
EN 301 489-3 V1.6.1	Electromagnetic compatibility and Radio spectrum Matters (ERM) Electromagnetic compatibility (EMC) standard for radio equipment and services – Part 3: Specific conditions for Short-Range Devices (SRD) operating on frequencies between 9 kHz and 246 GHz	2013-10-12
EN 301 489-1 V1.9.2	Electromagnetic compatibility and Radio spectrum Matters (ERM) - Electromagnetic compatibility (EMC) standard for radio equipment and services – Part 1: Common technical requirements	2012-04-11

The CE marking was affixed in 09.

For the commercial use of SERVO-DRIVE for AVENTOS the conformity of the furniture with the Machinery Directive 2006/42/EU should be confirmed prior to commissioning.

Signed for and on behalf of:

Julius Blum GmbH



Hoechst, 2016-04-26

Graduate engineer (FH) Hermann Weissenhorn, Head of Engineering
<http://www.blum.com/compliance/>

Julius Blum GmbH
Beschlägefabrik
6973 Höchst, Austria
Tel.: +43 5578 705-0
Fax: +43 5578 705-44
E-Mail: info@blum.com
www.blum.com

